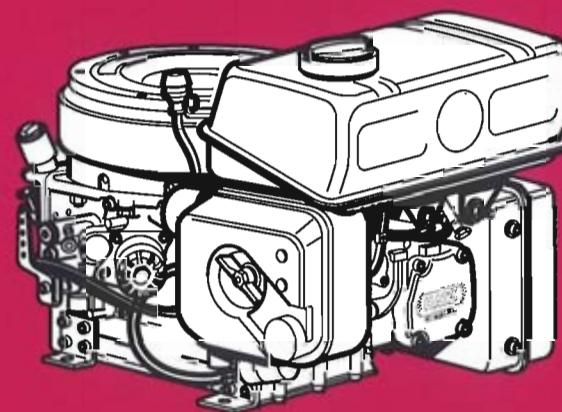
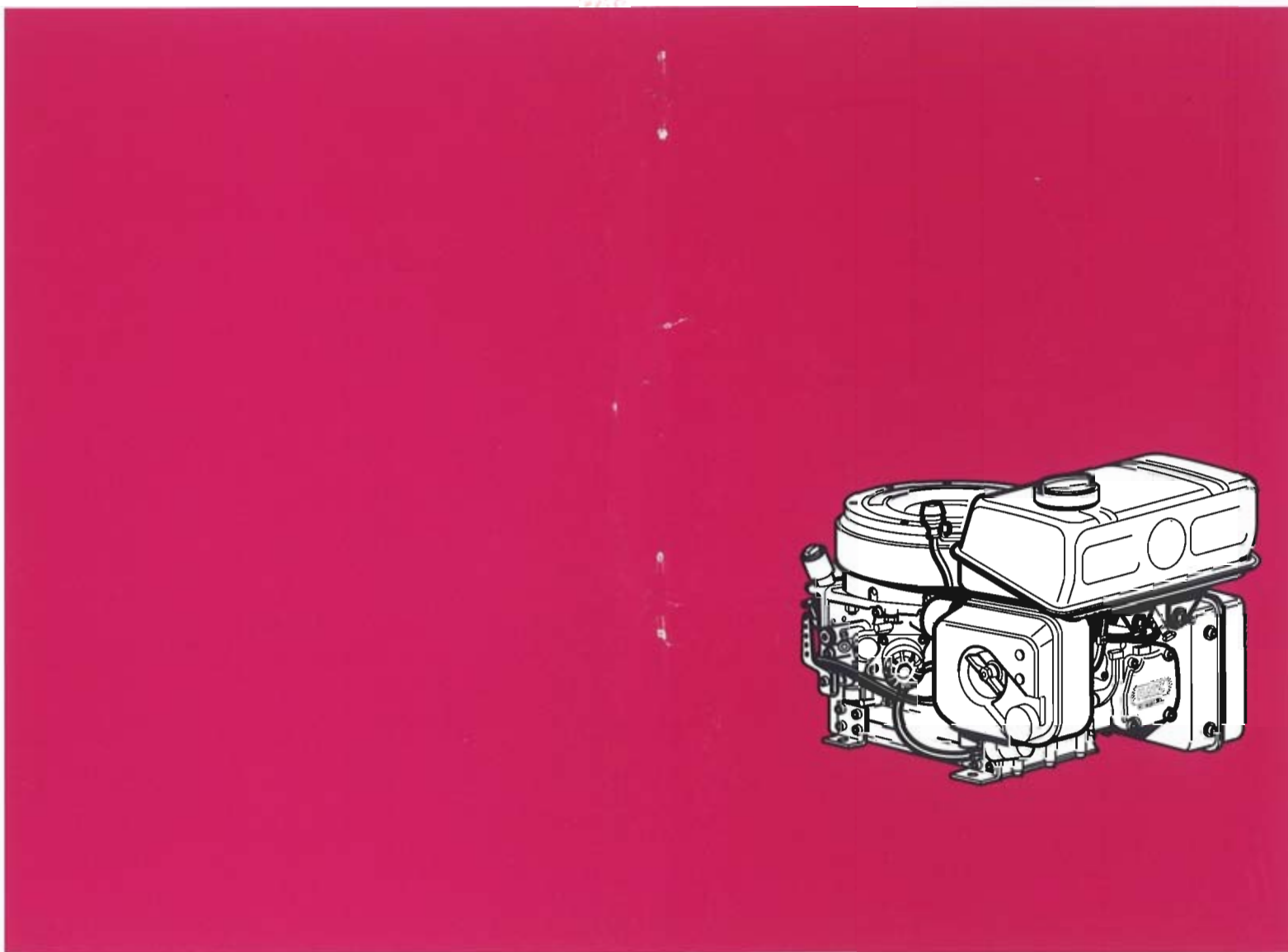




MOTORENFABRIK HATZ • D-94099 Ruhstorf • Germany
Tel.: 0 85 31 / 319-0 • Telefax: 0 85 31 / 31 94 18
eMail: marketing@hatz-diesel.de • <http://www.hatz-diesel.com>

Original-Ersatzteile

Original-spare parts
Pièces de rechange d'origine
Repuestos originales
Pezzi di ricambio originali



1 D 90 V
1 D 90 W

434 200 73- 10.00- 0.2
Printed in Germany

Bestellung für HATZ-Original-Ersatzteile

Order for HATZ Original spare parts

Commande de pièces d'origine HATZ

Pedido de repuestos originales HATZ

Ordine parti di ricambio originali HATZ

1

| |
|---|
| Besteller / Customer / Client / Cliente / Cliente |
|---|

2

| | | |
|-------------------|--------|--|
| TYP | KENNZ. | |
| MOTOR/FABRIK NO. | | |
| MIN ⁻¹ | | |

3

| |
|---|
| Ersatzteilliste Nr./ Spare parts list no./ Liste des pièces de rechange no./ Lista de repuestos No./ Lista ricambi n. |
| 1 D 90 V/W . 13 <input type="checkbox"/> |

4

| Stück / Qty / Q.tà | HATZ Ident No. | Stück / Qty / Q.tà | HATZ Ident No. |
|--------------------|----------------|--------------------|----------------|
| | | | |
| | | | |
| | | | |
| | | | |
| | | | |

5

| | |
|---|---|
| Versandart / Mode of dispatch / Mode d'expédition / Despacho deseado / Modo di spedizione | |
| Post / Surface / Poste / Correo / Posta <input type="checkbox"/> | Luftracht / airfreight / frêt aérien / flete aereo / Via aerea <input type="checkbox"/> |
| Express / express / exprès / expreso / Espresso <input type="checkbox"/> | <input type="checkbox"/> |

6

| |
|--|
| Versandadresse / Consignee / Adresse destination / Dirección / Indirizzo di destinazione |
|--|

Bestellung an: Order at: Commande à: Pedido a:

- die nächste HATZ-Servicestelle (siehe Servicestellenverzeichnis)
- your nearest HATZ service station (see service-list)
- votre station-service HATZ la plus proche (voir liste "Service")
- al servicio HATZ más cercano (ver cuaderno de Servicio)
- al più vicino centro di servizio HATZ (vedi lista centri autorizzati)

MOTORENFABRIK HATZ
D-94099 RUHSTORF
Tel: 0 85 31 / 319 - 0
Fax: 0 85 31 / 31 94 21

| Inhaltsverzeichnis | | Index | |
|---------------------------|--|---|----------|
| M .. | Grundmotor | Basic engine | |
| 00 | Ersatzteilsätze | Spare part kits | 01 |
| 34 | Zubehör | Accessories | 02 |
| 01 | Kurbelgehäuse | Crankcase | 03+04 |
| 02, 03 | Kurbelwelle, Lagerflansch | Crankshaft, bearing flange | 05 |
| 04 | Nockenw., Massenausgleich | Camshaft, Compensation of masses | 06 |
| 05, 06 | Kolben, Pleuelstange, Zylinder | Piston, conrod, cylinder | 07 |
| 07 | Zylinderkopf | Cylinder head | 08 |
| 09, 17 | Stoßstange, Schwungrad | Pushrod, flywheel | 09 |
| 10, | Ölpumpe, Regler | Oil pump, governor | 10 |
| 11 | Steuerdeckel | Timing cover | 11 |
| 12, 14 | Startfüllung, Einspritzausrüstung | Extra fuel device, Injection equipment | 12 |
| 26 | Luftführung | Air ducting | 13 |
| 31 – 32 | Drehzahlverstellung, Entlüftung, | Speed control, breather, | 14 |
| A .. | Zusatzausrüstung | Equipments | |
| 01 | Kraftstoffbehälter | Fuel tank | 15 |
| 01 | Förderpumpe | Fuel feed pump | 16 |
| 02 | Luftfilter | Air filter | 17 |
| 03 | Abgasdämpfer | Exhaust silencer | 18 |
| 05 | Starter, Generator, Armaturenkasten | Starter, alternator, Instrument box | 19 20 |
| 09, 11 | Abstellvorr., Hubmagnet | Stop device, lifting magnet | 21 |
| 18 | Anbauteile Hydraulikpumpe | Mount. parts hydr. pump | 22 |
| 90 | Motorausrüstung EPA | Spec. equipment EPA | 23 |

| | Sommaire: | Índice | |
|-------------|-----------------------------|---|-------|
| M .. | Moteur de base | Motor de base | |
| 00 | Jeux de pièces de rechange | Juegos de piezas de recambios | |
| 34 | Accessoires | Accesorios | 01 |
| 01 | Carter moteur | Caja cigueñal | 03+04 |
| 02, 03 | Vilebrequin, palier | Cigüeñal, brida de cojinete | 05 |
| 04 | Arbre à cames | Arbol de levas | |
| | Equilibrage des masses | Compensación de las masas | 06 |
| 05, 06 | Piston, bielle, cylindre | Émbolo, biela, cilindro | 07 |
| 07 | Culasse | Culata | 08 |
| 09, 17 | Tige de culbuteur, volant | Varilla de balancín, volante | 09 |
| 10 | Pompe à huile, regulateur | Bomba de aceite, regulador | 10 |
| 11 | Couvercle distribution | Tapa de mando | 11 |
| 12, 14 | Surcharge | Sobre aliment.-arranque, | |
| | Equipment d'injection | Equipo de inyección | 12 |
| 26 | Carter ventilation | Conducción de aire | 13 |
| 31 – 32 | Réglage régime, purge d'air | Ajuste de revoluciones, purgo de aire, 14 | |
| A .. | Accessoires | Equipos | |
| 01 | Reservoir à carburant | Depósito combustible | 15 |
| 01 | Pompe d'alimentation | Bomba de alimentación | 16 |
| 02 | Filtre à air | Filtro de aire | 17 |
| 03 | Silencieux | Silenciador | 18 |
| 05 | Demarreur, alternateur | Arrancador, alternador | 19 |
| | Boitier de bord | Cuadro de mando | 20 |
| 09,11 | Dis. d'arrêt, el. aimant | Disp. desconect., elevador magnet. | 21 |
| 18 | Pièces mont.-pompe hydr. | Piezas mont. bomba hydr. | 22 |
| 90 | Equipm. spec. EPA | Equipo espec. EPA | 23 |

Indice**Tavola N.****M .. Motore de base**

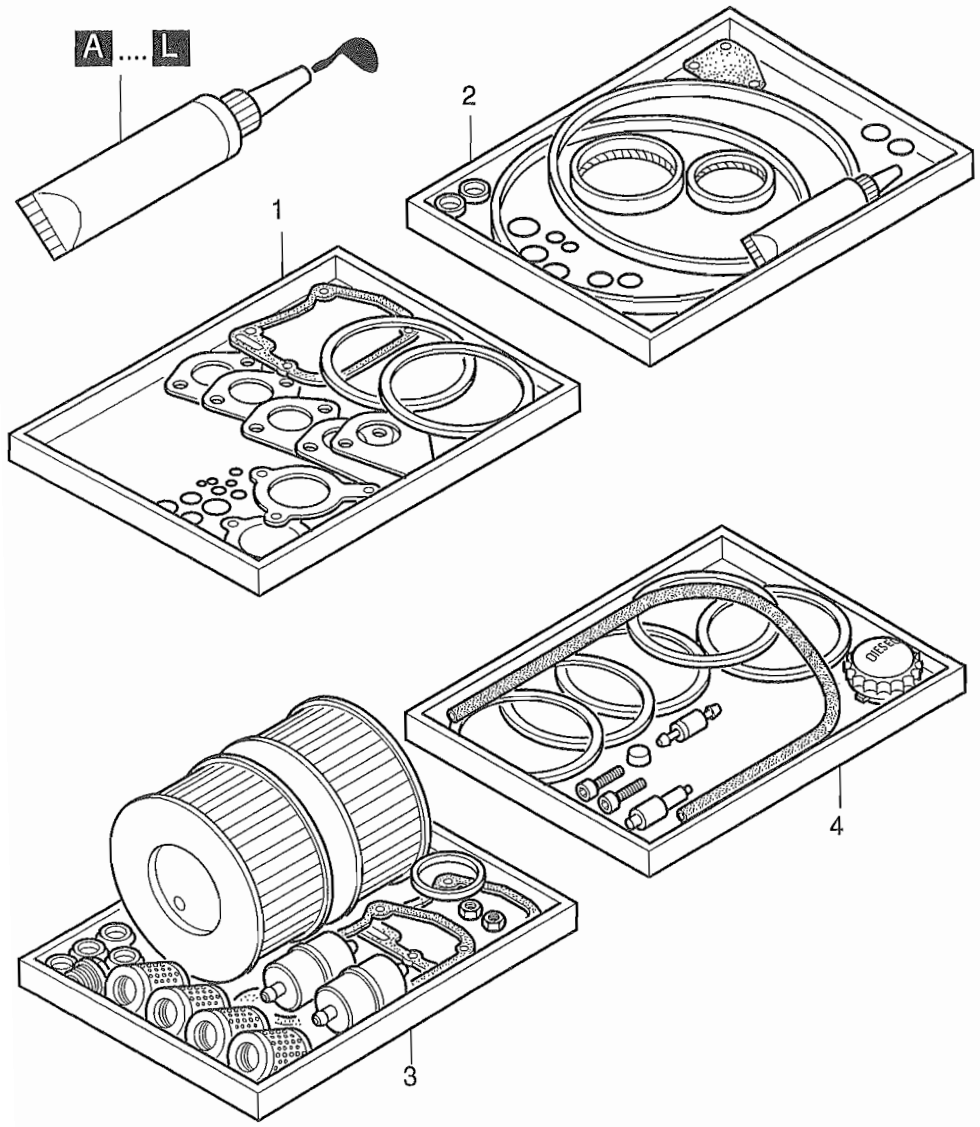
| | | |
|---------|---|-------|
| 00 | Serie guarnizioni | 01 |
| 34 | Kit accessori | 02 |
| 01 | Basamento motore | 03+04 |
| 02, 03 | Albero a gomito, supporto | 05 |
| 04 | Albero a camme, Contrappesi di equilibratura | 06 |
| 05, 06 | Pistone, biella, cilindro | 07 |
| 07 | Testa | 08 |
| 09, 17 | Asta bilancieri, volano | 09 |
| 10 | Pompa olio, regolatore | 10 |
| 11 | Coperchio distribuzione | 11 |
| 12, 14 | Supplemento, Equipaggiamento iniezione | 12 |
| 26 | Carter ventilatore | 13 |
| 31 - 32 | Regolatore di giri, sfiatatoio | 14 |

A .. Accessori

| | | |
|-------|--|----------|
| 01 | Serbatoio combustibile | 15 |
| 01 | Pompa A. C. | 16 |
| 02 | Filtro aria | 17 |
| 03 | Marmitta | 18 |
| 05 | Motorino avviamento, alternatore, Cruscotto | 19 20 |
| 09,11 | Leva stop, magnete stop | 21 |
| 18 | Particolari per montaggio pompa idraulica | 22 |
| 90 | Kit trasformazione EPA | 23 |

M 00 Ersatzteilsätze
Spare part kits
Jeux de pièces de rechange
Juegos de piezas de recambios
Serie guarnizioni

Tafel Nr.
Tabl. No.
Tavola N.
01



| Fig.-No. | HATZ Ident-No. | Stück Qty. | P / W d / D | Bemerkungen Notes |
|---|-------------------|---------------|----------------|--|
| 1D90V/W | | | | |
| <p>W: Im Wartungssatz enthalten. Incl. in maintenance kit. Contenu dans le jeu d'entretien. Incluido en el juego de mantenimiento. Contenuto nella serie manutenzione.</p> | | | | |
| <p>d: Im Dichtungssatz f. 1 Zyl.-Kopf enthalten. Incl. in gasket set f. 1 cyl. head. Contenu dans le jeu de joint p. 1 culasse. Incluido en el juego de juntas p. 1 culata. Contenuto nella serie guarnizioni p. 1 testa.</p> | | | | |
| <p>P: Im Pannensatz enthalten. Incl. in emergency kit. Contenu dans le jeu secur. Incluido en el juego para averias. Contenuto nella serie di prima necessità.</p> | | | | |
| <p>D: Im Dichtungssatz Kurbelgeh. Incl. in gasket set crankcase. Contenu dans le jeu de joints carter moteur. Incluido en el juego de juntas caja cigueñal. Contenuto nella serie guarnizioni basamento.</p> | | | | |
| <p>1: Anzahl pro Satz - Qty. per kit Quantite p. jeu - Cantidad p. juego. Quantità per serie</p> | | | | |
| 1 | 015 928 00 | 1 | P 1 | Dichtungssatz für 1 Zylinderkopf Gasket set for 1 cyl. head Jeu de joint p. 1 culasse Juego de juntas para 1 culata Serie guarniziono per 1 testa |
| 2 | 016 464 10 | 1 | | Dichtungssatz für Kurbelgehäuse Gasket set for crankcase Jeu de joints p. carter moteur Juego de juntas para caja cigueñal Serie guarnizioni basamento |
| 3 | 012 494 10 | 1 | | Wartungssatz für 1000 h |
| 3 | 012 924 11 | 1 | * | 1000 hours maintenance kit Kit d'entretien 1000 heures - Juego de piezas para servicio 1000 horas Kit di manutenzione a 1000 ore |
| 4 | 015 997 10 | 1 | | Pannensatz - Emergency kit Kit de secours - Juego para averias Kit di prima necessità |

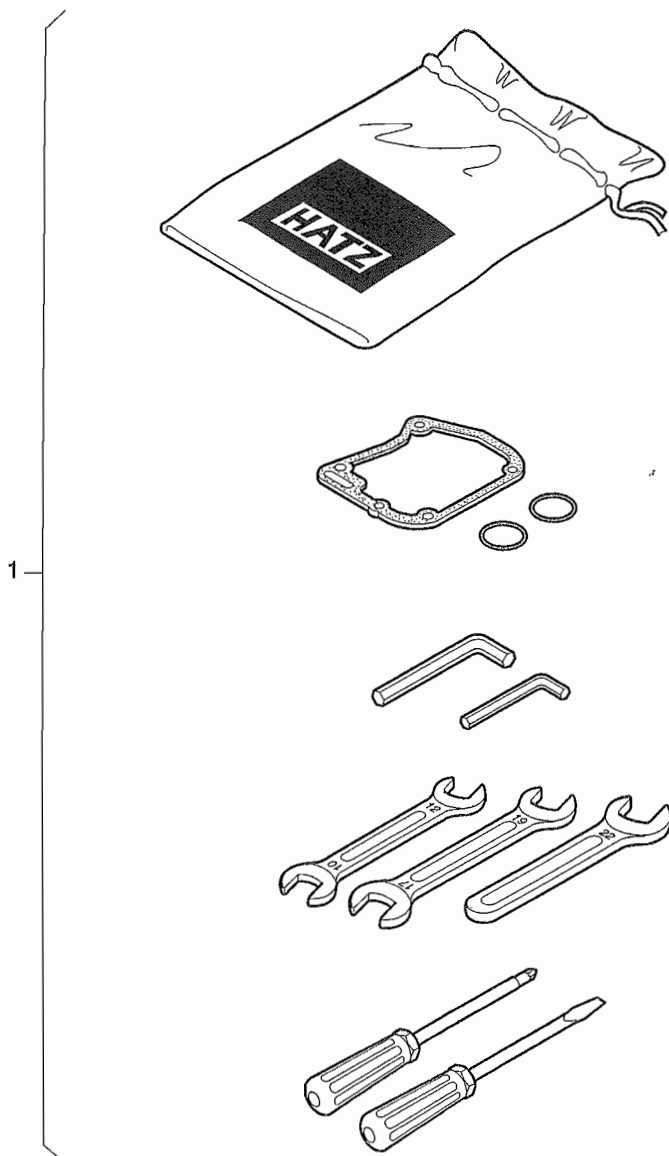
* ohne Ölfilter, without oil filter, sans filtre à huile, sin filtro de aceite, senza cartuccia oilio

M 34

Zubehör
Accessoires
Accessoires
Accessoires
Kit accessori

Tafel Nr.
Tabl. No.
Tavola N.

02



| Fig.-No. | HATZ Ident-No. | Stück Qty. | P / W d / D | Bemerkungen Notes |
|----------|----------------|------------|-------------|-------------------|
|----------|----------------|------------|-------------|-------------------|

1D90V/W

| | | | | |
|---|------------|---|--|---|
| 1 | 012 475 11 | 1 | | Zubehörsatz - Accessoires kit Sort. accessoires Juego de accesorios Serie accessorie |
|---|------------|---|--|---|

Dicht- und Klebestoffe
Sealing- and bonding adhesives
Etanchéifiant et Colle

Materias para empaquetar y pegar
Adesivi e collanti

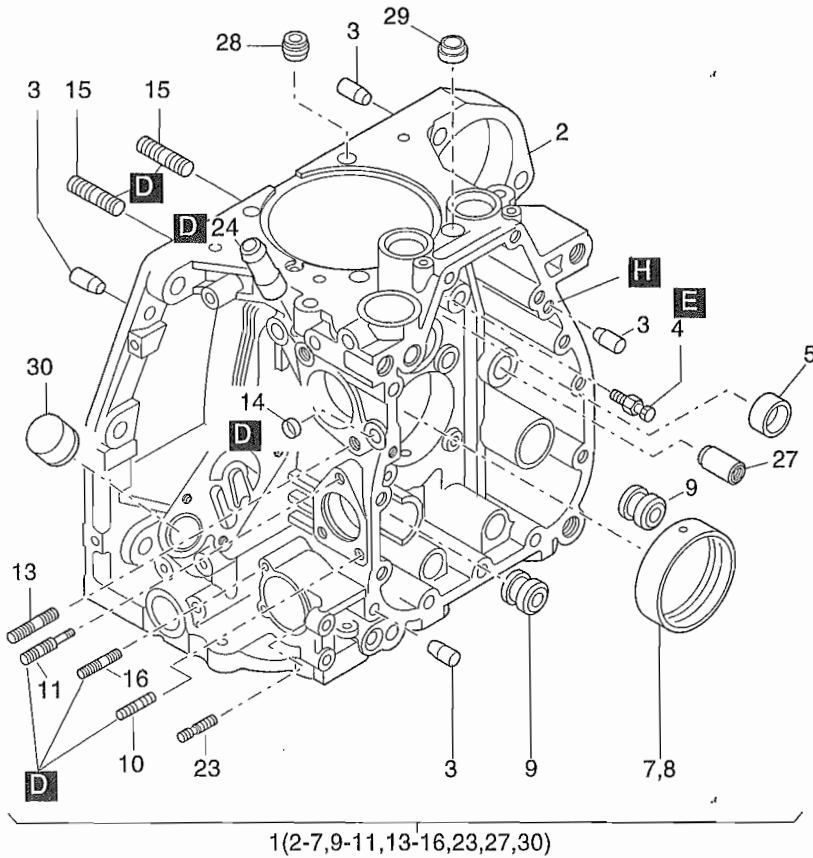
| | | | | |
|----------------|---------------------|---------|--|--|
| A = 502 230 01 | Loctite Activator N | 500 ml | } siehe Hinweis auf den einzelnen Bildtafeln as specified in the individual tables suivant les remarques sur les tableau correspondant | |
| B = 502 231 00 | Loctite 573 | 50 ml | | |
| C = 502 232 00 | Loctite 601 | 50 ml | | |
| D = 502 233 00 | Loctite 221 | 50 ml | | |
| E = 502 234 00 | Loctite 648 | 10 ml | | |
| F = 502 238 00 | Technicoll 8058 | 0,75 kg | | |
| + 502 239 00 | Technicoll 8367 | 0,75 kg | | |
| G = 502 565 01 | Loctite IS 407 | 20 g | | } según las indicaciones de las tablas correspondientes |
| H = 502 825 01 | Silicon | 30 ml | | |
| J = 502 830 03 | Hochtemp. Paste | 100 ml | | |
| K = 503 426 00 | Hochtemp. Fett | 100 g | | |
| L = 502 566 00 | Silicon sealer | 100 g | } seguire le indicazioni sul quadro corrispondente | |

M 01

Kurbelgehäuse
Crankcase
Carter moteur
Caja cigueñal
Basamento motore

Tafel Nr.
Tabl. No.
Tavola N.

03



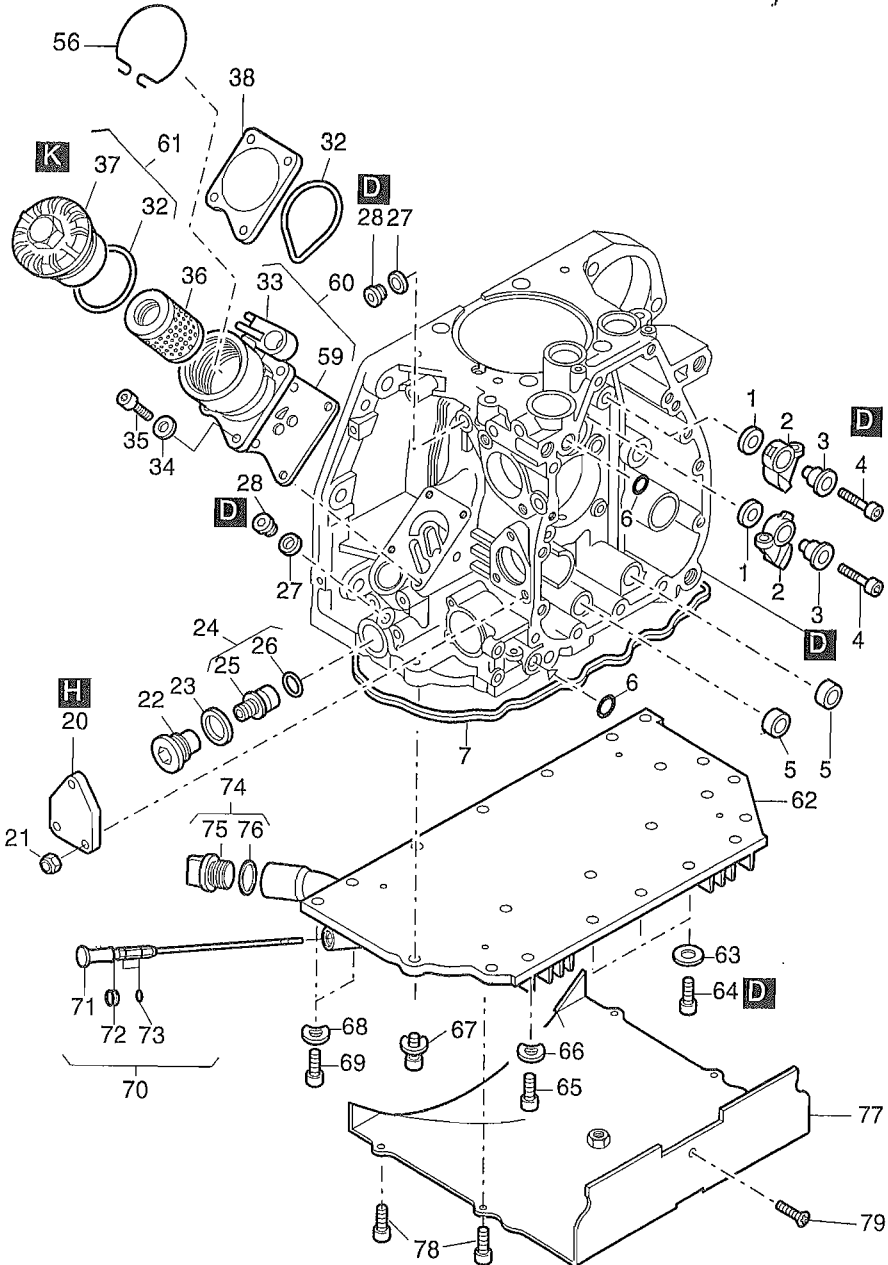
| Fig.-No. | HATZ Ident-No. | Stück Qty. | P / W d / D | Bemerkungen Notes |
|----------|-------------------|---------------|----------------|--------------------------------------|
| 1D90V/W | | | | |
| 1 | 016 247 10 | 1 | | |
| 2 | ----- | - | | |
| 3 | 502 491 01 | 4 | | 8 M 6 x 20 DIN 6325 |
| 4 | 037 939 00 | 1 | | |
| 5 | 037 938 00 | 1 | | |
| 7 | 037 937 00 | 1 | | |
| 8 | 040 337 00 | 1 | | - 0,5 mm |
| 9 | 040 008 00 | 2 | | Ø 22 mm, s. Tafel., Tabl. 16, Pos. 4 |
| 10 | 501 443 00 | 2 | | M 6 x 16 DIN 835-A3C |
| 11 | 037 945 10 | 1 | | |
| 13 | 502 319 00 | 2 | | M 8 x 25 DIN 835-8.8 A3C |
| 14 | 503 255 00 | 1 | | 10 DIN 443-St A3C |
| 15 | 500 378 00 | 8 | | M 8 x 22 DIN 835-10.9 |
| 16 | 503 282 00 | 2 | | M 6 x 22 DIN 835-8.8 A3C |
| 23 | 040 874 00 | 1 | | M 6 x 22 |
| 24 | ----- | - | | |
| 27 | 041 050 00 | 1 | | Ø 15 mm „V“ |
| 28 | 504 598 00 | 2 | | |
| 29 | 040 845 00 | 2 | d2 | |
| 30 | ----- | - | | |

M 01

Kurbelgehäuse
Crankcase
Carter moteur
Caja cigueñal
Basamento motore

Tafel Nr.
Tabl. No.
Tavola N.

04



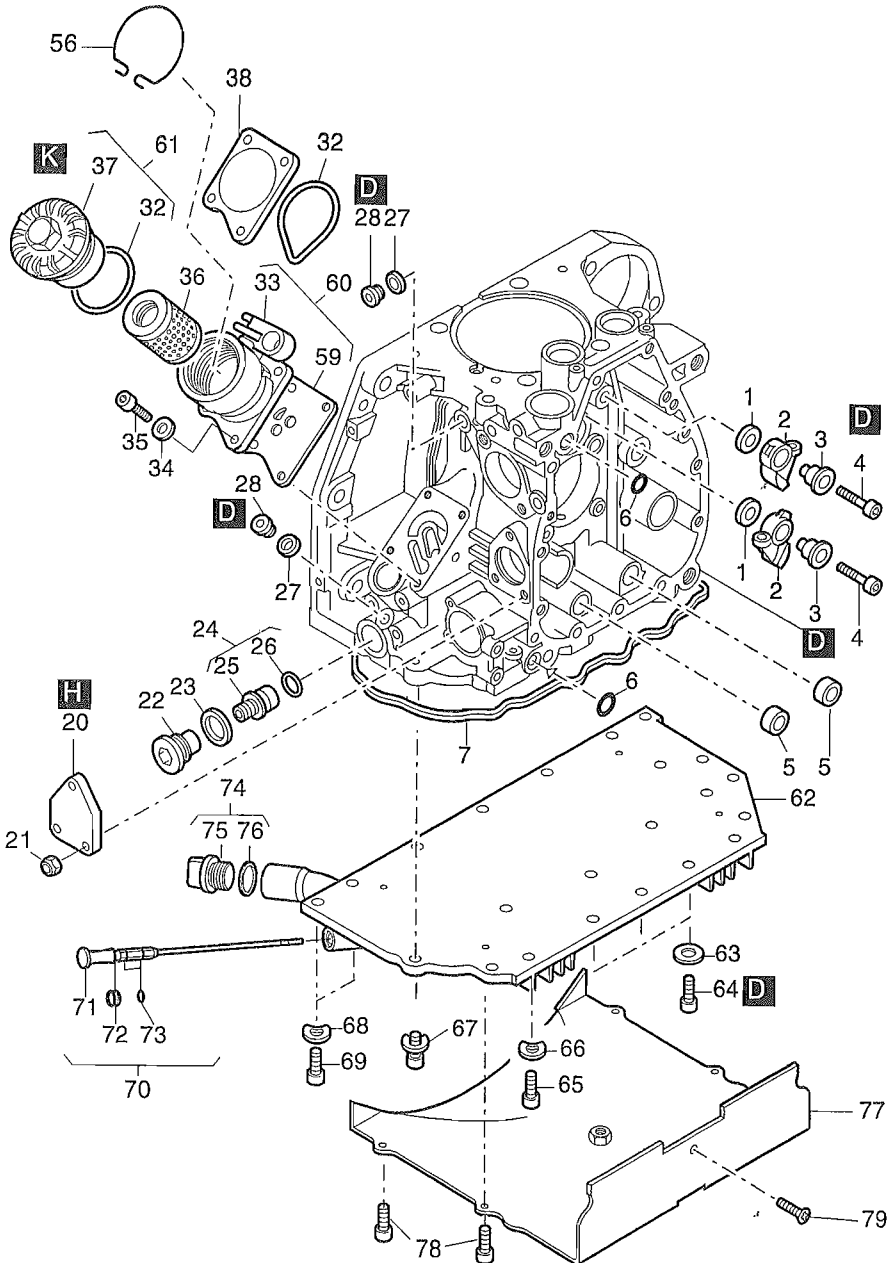
| Fig.-No. | HATZ Ident-No. | Stück Qty. | P / W d / D | Bemerkungen Notes |
|----------|-------------------|---------------|----------------|----------------------------------|
| 1D90V/W | | | | |
| 1 | 037 941 00 | 2 | | |
| 2 | 037 943 00 | 2 | | |
| 3 | 037 942 01 | 2 | | |
| 4 | 500 510 00 | 2 | | M 6 x 30 DIN 912-8.8 |
| 5 | 037 958 00 | 2 | D2 | 12 x 18,3 x 7,3 |
| 6 | 503 290 00 | 2 | D3 | 9,5 x 2,5 |
| 7 | 037 951 00 | 1 | D1 | 265 x 269,4 x 3,6 |
| 20 | 037 947 00 | 1 | | |
| 21 | 503 283 00 | 3 | | VM 6 DIN 980-8 A3C |
| 22 | 013 212 00 | 1 | | M 24 x 1,5 |
| 23 | 502 864 00 | 1 | D1 | A 24 x 29 DIN 7604-Cu |
| 24 | 013 211 00 | 1 | | |
| 25 | ----- | - | | |
| 26 | 504 604 00 | 1 | D1 | 18 x 2 |
| 27 | 500 624 00 | 2 | D2 | A 10 x 13,5 DIN 7603-Cu |
| 28 | 500 623 00 | 2 | | M 10 x 1 DIN 908-5.8 A3C |
| 32 | 503 292 00 | 2 | D2, W1 | 50 x 55 x 3 |
| 33 | ----- | - | | |
| 34 | 500 812 00 | 4 | | A 6 DIN 137 A3C |
| 35 | 501 706 00 | 4 | | M 6 x 20 DIN 912-8.8 A3C |
| 36 | 014 800 00 | 1 | W4 | |
| 37 | ----- | - | | |
| 38 | 040 334 01 | 1 | | |
| 56 | 040 840 00 | 1 | | |
| 59 | 050 689 00 | 1 | D1 | |
| 60 | 013 183 00 | 1 | | |
| 61 | 012 489 01 | 1 | | |
| 62 | 041 373 01 | 1 | | |
| 63 | 501 629 00 | 6 | | A 14 x 18 DIN 7603-Cu |
| 64 | 501 715 00 | 6 | | M 8 x 25 DIN 912-8.8 A3C |
| 65 | 501 775 00 | 1 | | M 8 x 40 DIN 912-8.8 A3C |
| 66 | 500 951 00 | 1 | | A 8 DIN 137 A3C |
| 67 | 504 176 00 | 11 | | M 8 x 25 Z4 DIN 912-8.8 A3C/6900 |
| 68 | 500 951 00 | 2 | | A 8 DIN 137 A3C |
| 69 | 501 710 00 | 2 | | M 8 x 45 DIN 912-8.8 A3C |
| 70 | 013 406 00 | 1 | | |
| 71 | ----- | - | | |
| 72 | 503 244 00 | 1 | D1 | V-8S |
| 73 | 400 220 00 | 2 | D2 | 5 x 2 |

M 01

Kurbelgehäuse
Crankcase
Carter moteur
Caja cigueñal
Basamento motore

Tafel Nr.
Tabl. No.
Tavola N.

04



| Fig.-No. | HATZ Ident-No. | Stück Qty. | P / W d / D | Bemerkungen Notes |
|----------|-------------------|---------------|----------------|---------------------------|
| | | 1D90V/W | | |
| 74 | 016 131 00 | 1 | | |
| 75 | ----- | - | | |
| 76 | 041 250 00 | 1 | D1 | 26 x 35 x 3 |
| 77 | 013 408 00 | 1 | | |
| 78 | 501 126 00 | 4 | | M 5 x 10 DIN 6912-8.8 A3C |
| 79 | 504 355 00 | 1 | | M 5 x 12 DIN 7991-8.8 A3C |

M 02

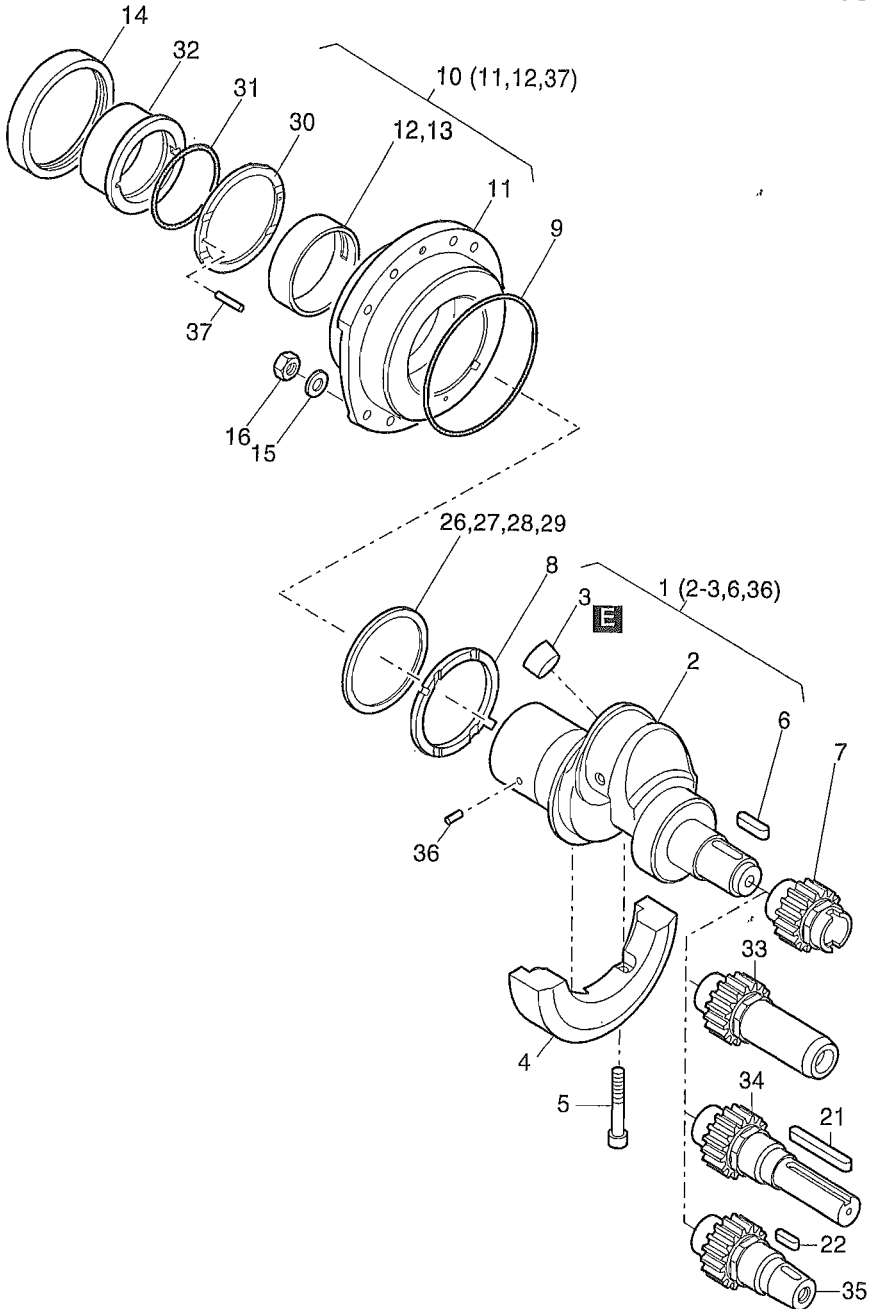
Kurbelwelle
Crankshaft
Vilebrequin
Cigüeñal
Albero a gomito

M 03

Lagerflansch
Bearing flange
Palier
Brida de cojinete
Supporto

Tafel Nr.
Tabl. No.
Tavola N.

05



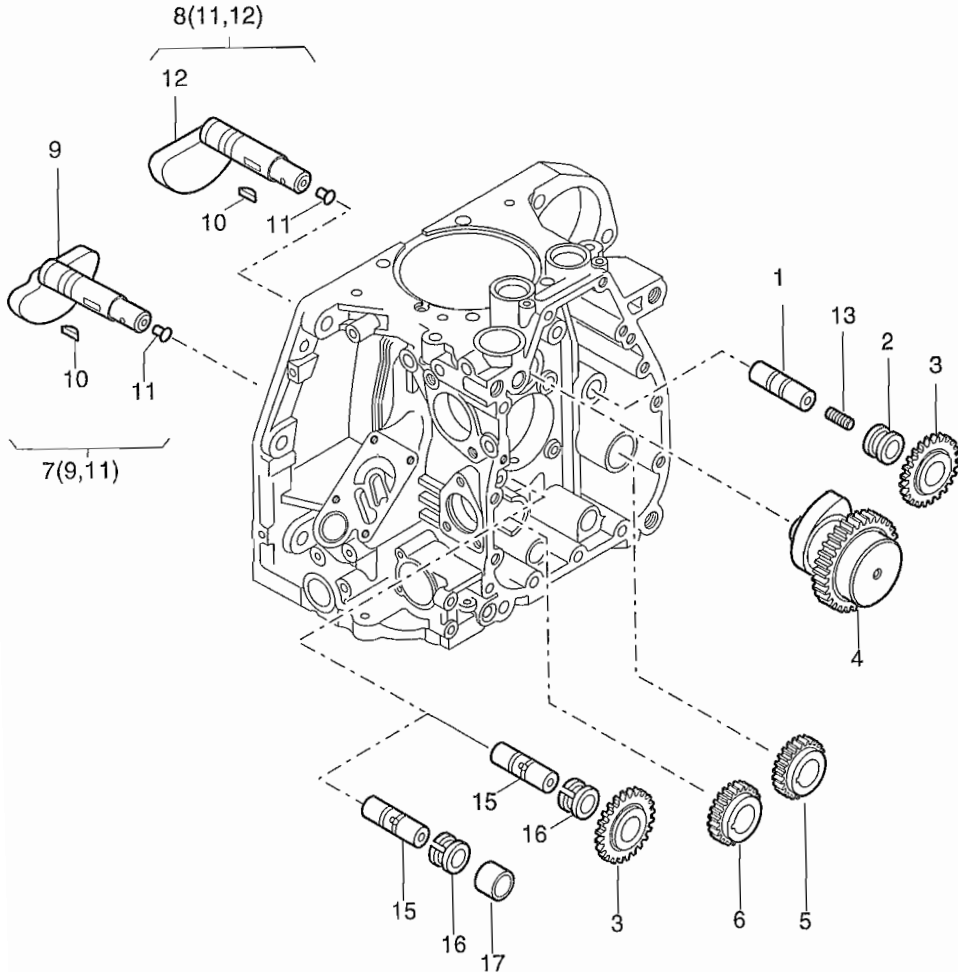
| Fig.-No. | HATZ Ident-No. | Stück Qty. | P / W d / D | Bemerkungen Notes |
|----------|-------------------|---------------|----------------|----------------------------------|
| 1D90V/W | | | | |
| 1 | 013 419 00 | 1 | | |
| 2 | ----- | - | | |
| 3 | 500 872 00 | 1 | | 28 DIN 443 |
| 4 | 037 960 00 | 1 | | |
| 5 | 500 550 00 | 2 | | M 10 x 50 DIN 912-10.9 |
| 6 | 503 626 00 | 1 | | A 6 x 4 x 32 DIN 6885 St. 60 |
| 7 | 037 961 20 | 1 | | |
| 8 | 040 006 00 | 1 | | |
| 9 | 502 249 00 | 1 | D1 | 123 x 2,5 |
| 10 | 013 423 00 | 1 | | |
| 11 | ----- | - | | |
| 12 | 040 068 00 | 1 | | |
| 13 | 040 361 00 | 1 | | - 0,5 mm |
| 14 | 504 781 00 | 1 | D1 | 68 x 90 x 10 |
| 15 | 504 136 00 | 8 | | 8,4 300 HV DIN 125A-A3C |
| 16 | 503 643 00 | 8 | | M 8 DIN 934-10 A3C |
| 21 | 039 627 00 | 1 | | A 6,35 x 63 |
| 22 | 500 178 00 | 1 | | 4 x 6,5 DIN 6888 |
| 26 | 041 431 00 | 0... | | 70 x 84 x 0,10 |
| 27 | 041 434 00 | 0... | | 70 x 84 x 0,15 |
| 28 | 041 432 00 | 0... | | 70 x 84 x 0,20 |
| 29 | 041 433 00 | 0... | | 70 x 84 x 0,30 |
| 30 | 041 430 00 | 1 | | |
| 31 | 504 786 00 | 1 | D1 | 62 x 2 |
| 32 | 041 429 00 | 1 | | |
| 33 | 041 418 00 | 1 | | HP s.Taf., Tabl. 22 - Pos. 11 |
| 34 | 041 455 00 | 1 | | SAE...2 Ø 1" Zyl., Cyl. |
| 35 | 041 456 00 | 1 | | ital. ...3 |
| 36 | 041 435 00 | 2 | | 5 x 8 |
| 37 | 504 342 00 | 2 | | 2,5 x 8 DIN 7344 |

M 04

Nockenwelle, Massenausgleich
Camshaft, compensation of masses
Arbre à cames, équilibrage
Arbol de levas, compensación de las masas
Albero a camme, masse equilibratura

Tafel Nr.
Tabl. No.
Tavola N.

06



| Fig.-No. | HATZ Ident-No. | Stück Qty. | P / W d / D | Bemerkungen Notes |
|----------|-------------------|---------------|----------------|---------------------------|
| 1D90V/W | | | | |
| 1 | 037 964 01 | 1 | | W |
| 2 | 037 965 00 | 1 | | W |
| 3 | 012 420 00 | 2 | | W |
| 4 | 041 423 10 | 1 | | V/W |
| 5 | 037 968 00 | 1 | | W |
| 6 | 037 969 00 | 1 | | W |
| 7 | 012 673 00 | 1 | | W |
| 8 | 012 672 00 | 1 | | W |
| 9 | ----- | - | | |
| 10 | 503 249 00 | 2 | | W 3 x 3,7 DIN 6888 St. 60 |
| 11 | ----- | - | | |
| 12 | ----- r | - | | |
| 13 | 503 580 00 | 1 | | M 8 x 10 DIN 913 Tuf. |
| 15 | 013 207 00 | 1 | | W |
| 16 | 041 076 00 | 1 | | W |
| 17 | 040 119 00 | 1 | | 15 x 24 x 17 |

r

Kolben, Pleuel
 Piston, Conrod
 Piston, bielle
 Embolo, biela
 Pistone, biella

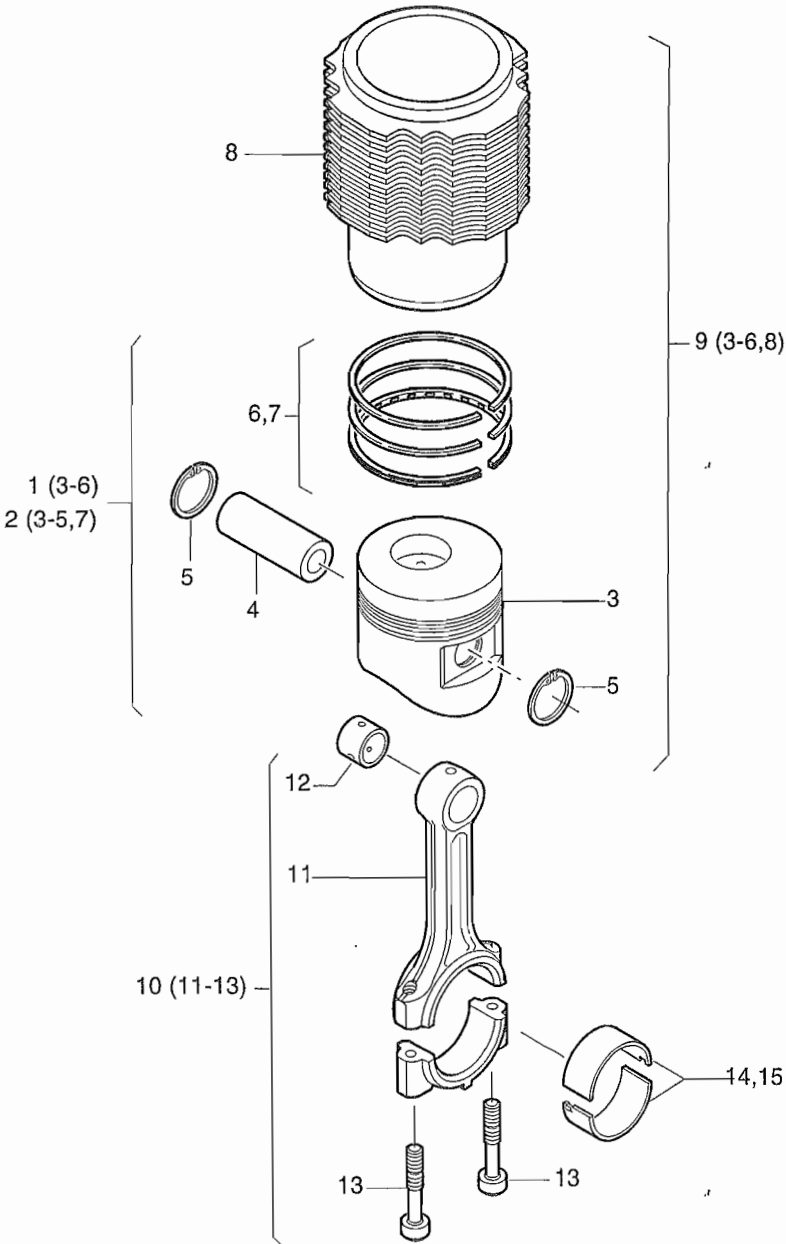
M 05

M 06

Zylinder
 Cylinder
 Cylindre
 Cilindro
 Cilindro

Tafel Nr.
 Tabl. No.
 Tavola N.

07



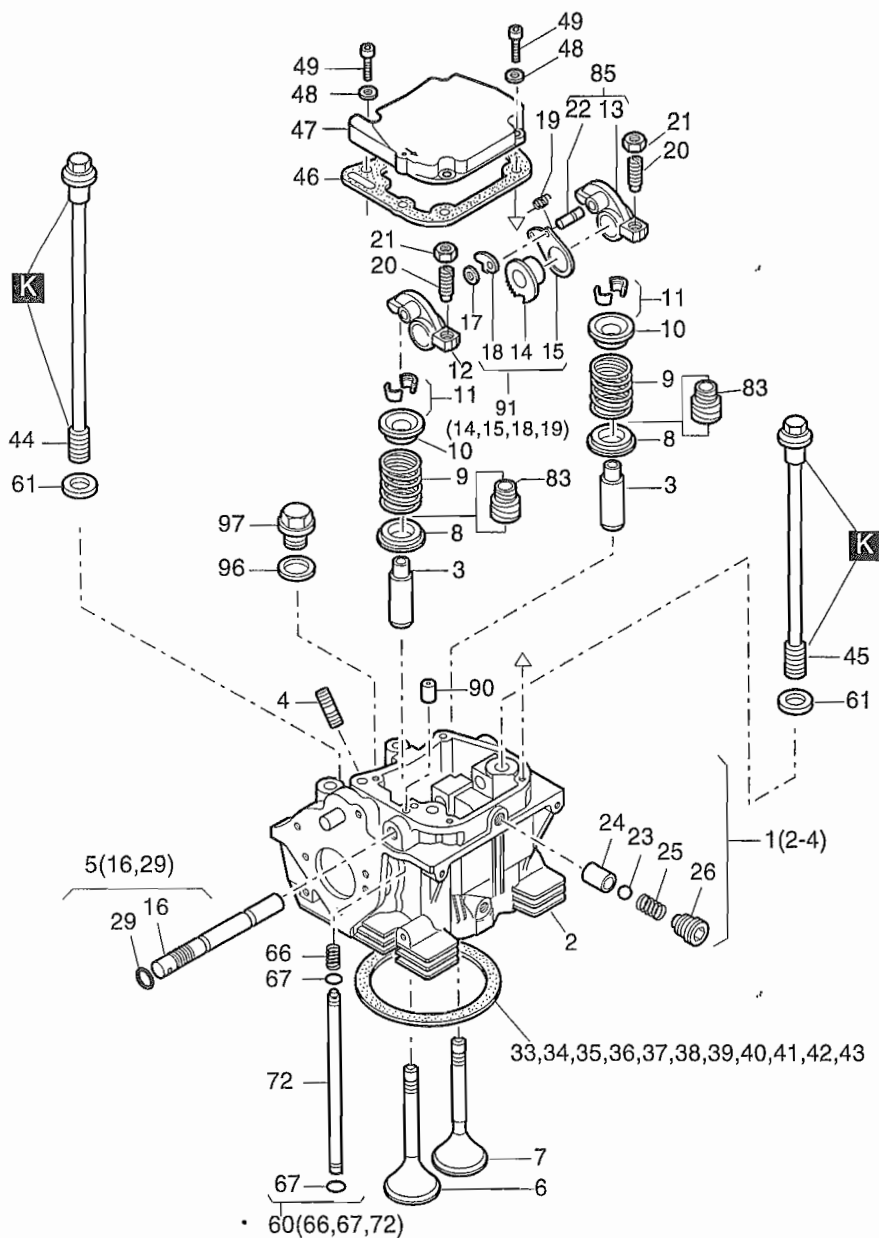
| Fig.-No. | HATZ Ident-No. | Stück Qty. | P / W d / D | Bemerkungen Notes |
|----------|-------------------|---------------|----------------|----------------------|
| | | 1D90V/W | | |
| 1 | 013 317 10 | 1 | | |
| 2 | 013 327 10 | 1 | | + 0,5 mm |
| 3 | ----- | - | | |
| 4 | 504 619 00 | 1 | | 30 x 15 x 75 |
| 5 | 504 620 00 | 2 | | 30 x 1,2 |
| 6 | 013 318 00 | 1 | | |
| 7 | 013 333 00 | 1 | | + 0,5 mm |
| 8 | ----- | - | | |
| 9 | 015 926 10 | 1 | | |
| 10 | 012 440 01 | 1 | | |
| 11 | ----- | - | | |
| 12 | 040 322 00 | 1 | | |
| 13 | 040 018 10 | 2 | | |
| 14 | 040 019 00 | 1 | | |
| 15 | 040 331 00 | 1 | | -0,5 mm |

Zylinderkopf
 Cylinder head
 Culasse
 Culata
 Testa

Tafel Nr.
 Tabl. No.
 Tavola N.

M 07

08



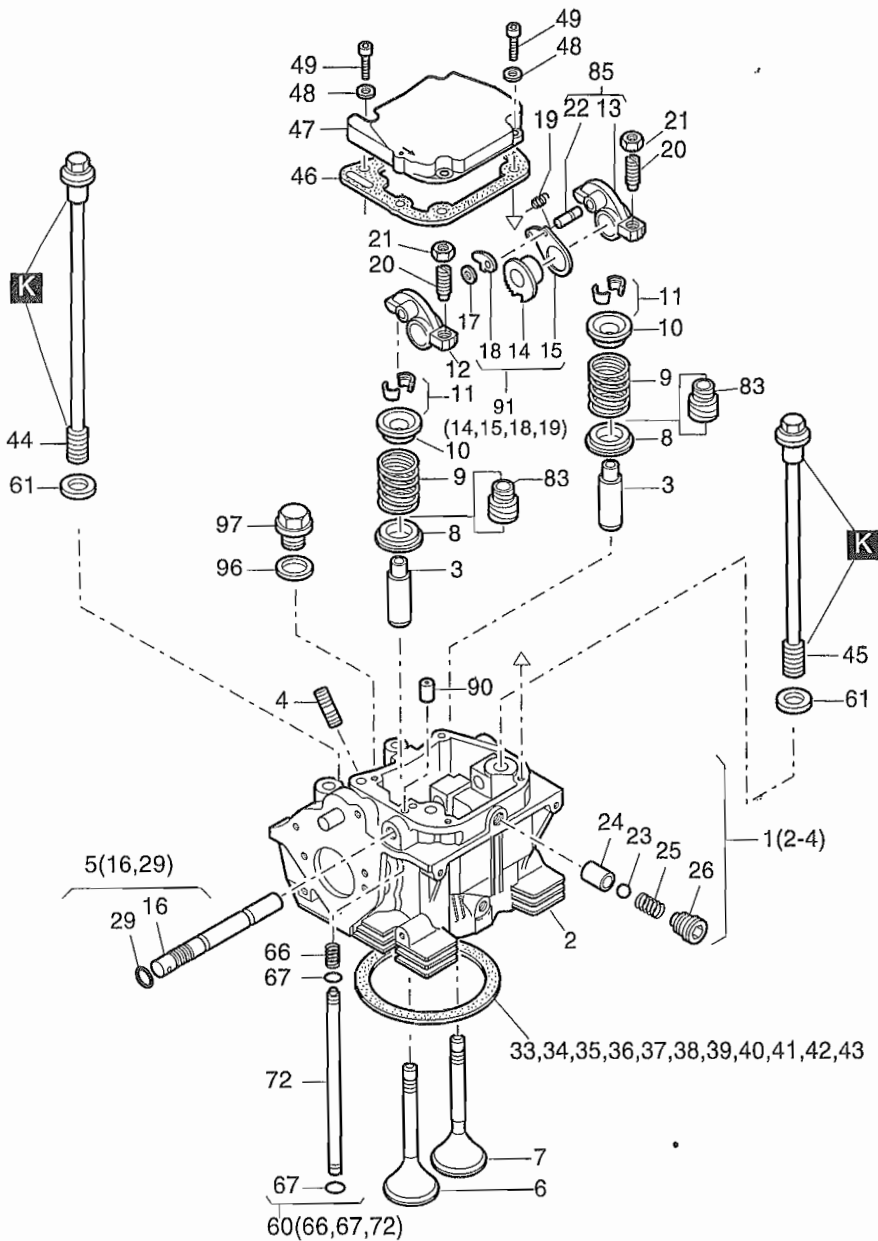
| Fig.-No. | HATZ Ident-No. | Stück Qty. | P / W d / D | Bemerkungen Notes |
|----------|-------------------|---------------|----------------|----------------------|
| 1D90V/W | | | | |
| 1 | 015 927 10 | 1 | | |
| 2 | ----- | - | | |
| 3 | 040 087 11 | 2 | | |
| 4 | 500 384 00 | 1 | M 8 x 35 | DIN 835-8.8 A3C |
| 5 | 014 689 20 | 1 | | |
| 6 | 040 910 01 | 1 | | |
| 7 | 040 911 00 | 1 | | |
| 8 | 040 052 01 | 2 | | |
| 9 | 041 520 00 | 2 | | |
| 10 | 040 054 01 | 2 | | |
| 11 | 037 863 00 | 2 | | |
| 12 | 040 037 10 | 1 | | |
| 13 | ----- | - | | |
| 14 | ----- | - | | |
| 15 | 037 784 01 | 1 | | |
| 16 | ----- | - | | |
| 17 | 501 172 00 | 1 | | |
| 18 | 033 657 10 | 1 | | |
| 19 | 033 660 01 | 1 | | |
| 20 | 037 830 00 | 2 | | |
| 21 | 031 731 00 | 2 | W2 | |
| 22 | ----- | - | | |
| 23 | 501 238 00 | 1 | | 7 mm III DIN 5401 |
| 24 | 040 047 00 | 1 | | |
| 25 | 040 048 00 | 1 | | |
| 26 | 012 452 00 | 1 | | |
| 29 | 400 224 01 | 1 | d2 | 8 x 2 |
| 33 | 041 193 00 | 0...1 | | 0,3 mm |
| 34 | 041 194 00 | 0...1 | | 0,4 mm |
| 35 | 041 195 00 | 0...1 | | 0,5 mm |
| 36 | 041 196 00 | 0...1 | | 0,6 mm |
| 37 | 041 197 00 | 0...1 | d1 | 0,7 mm |
| 38 | 041 198 00 | 0...1 | d1 | 0,8 mm |
| 39 | 041 199 00 | 0...1 | d1 | 0,9 mm |
| 40 | 041 200 00 | 0...1 | | 1,0 mm |
| 41 | 041 201 00 | 0...1 | | 1,1 mm |

Zylinderkopf
 Cylinder head
 Culasse
 Culata
 Testa

Tafel Nr.
 Tabl. No.
 Tavola N.

M 07

08



| Fig.-No. | HATZ Ident-No. | Stück Qty. | P / W d / D | Bemerkungen Notes |
|----------|-------------------|---------------|----------------|----------------------------------|
| 1D90V/W | | | | |
| 42 | 041 202 00 | 0...1 | | 1,2 mm |
| 43 | 041 203 00 | 0...1 | | 1,3 mm |
| 44 | 040 032 00 | 2 | | 305 mm |
| 45 | 040 033 00 | 2 | | 258 mm |
| 46 | 040 061 11 | 1 | d1, W3 | |
| 47 | 012 454 12 | 1 | | |
| 48 | 500 812 00 | 4 | P4 | A6 DIN 137 A3C |
| 49 | 501 708 00 | 4 | P2 | M 6 x 25 DIN 912-8.8 |
| 60 | 012 697 00 | 1 | | |
| 61 | 034 575 00 | 4 | | 12,5 x 24 x 2,5 |
| 66 | 040 042 00 | 1 | | |
| 67 | 503 301 00 | 2 | d2 | 4 x 1,2 |
| 72 | ----- | - | | |
| 83 | 504 052 00 | 2 | d2 | |
| 85 | 012 850 10 | 1 | | |
| 90 | 041 043 00 | 1 | | |
| 91 | 015 576 00 | 1 | | |
| 96 | 500 011 00 | 1 | d1 | A 12 x 15,5 DIN 7603-Cu |
| 97 | 502 214 00 | 1 | | M 12 x 1,5 DIN 910-St. A3C |

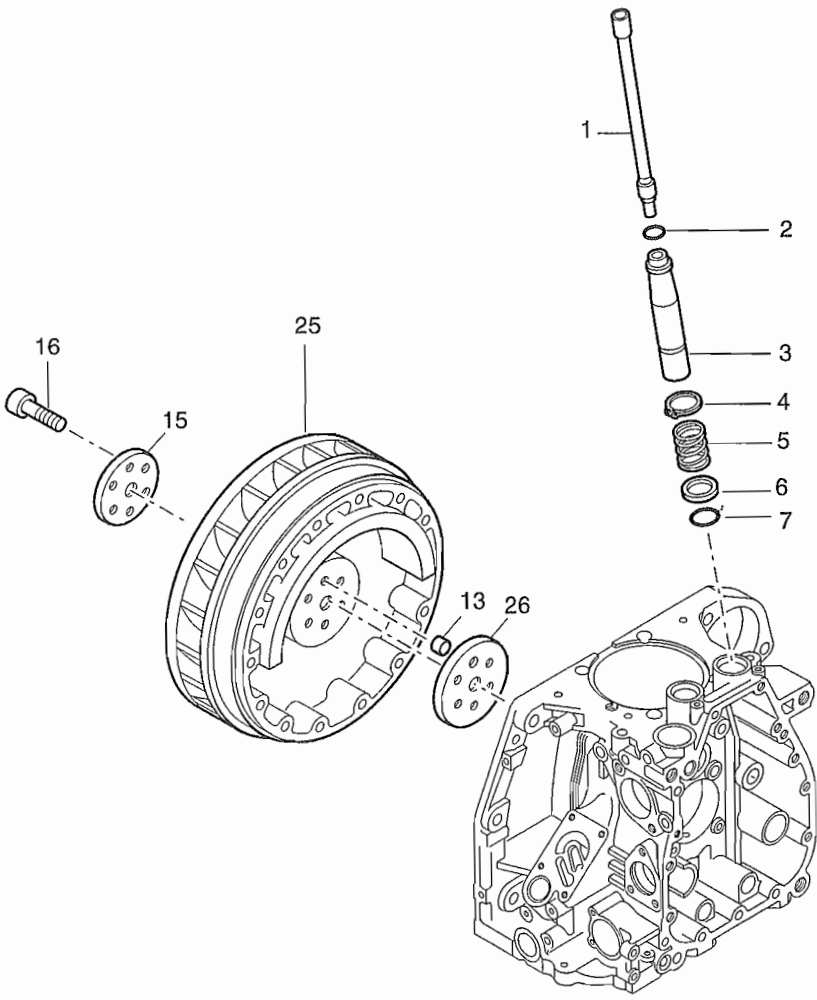
M 09

Stoßstangen
Pushrod
Tige de culbuteur
Varilla de balancin
Asta bilanciare

M 17

Schwungrad
Flywheel
Volant
Volante
Volano

Tafel Nr.
Tabl. No.
Tavola N.
09

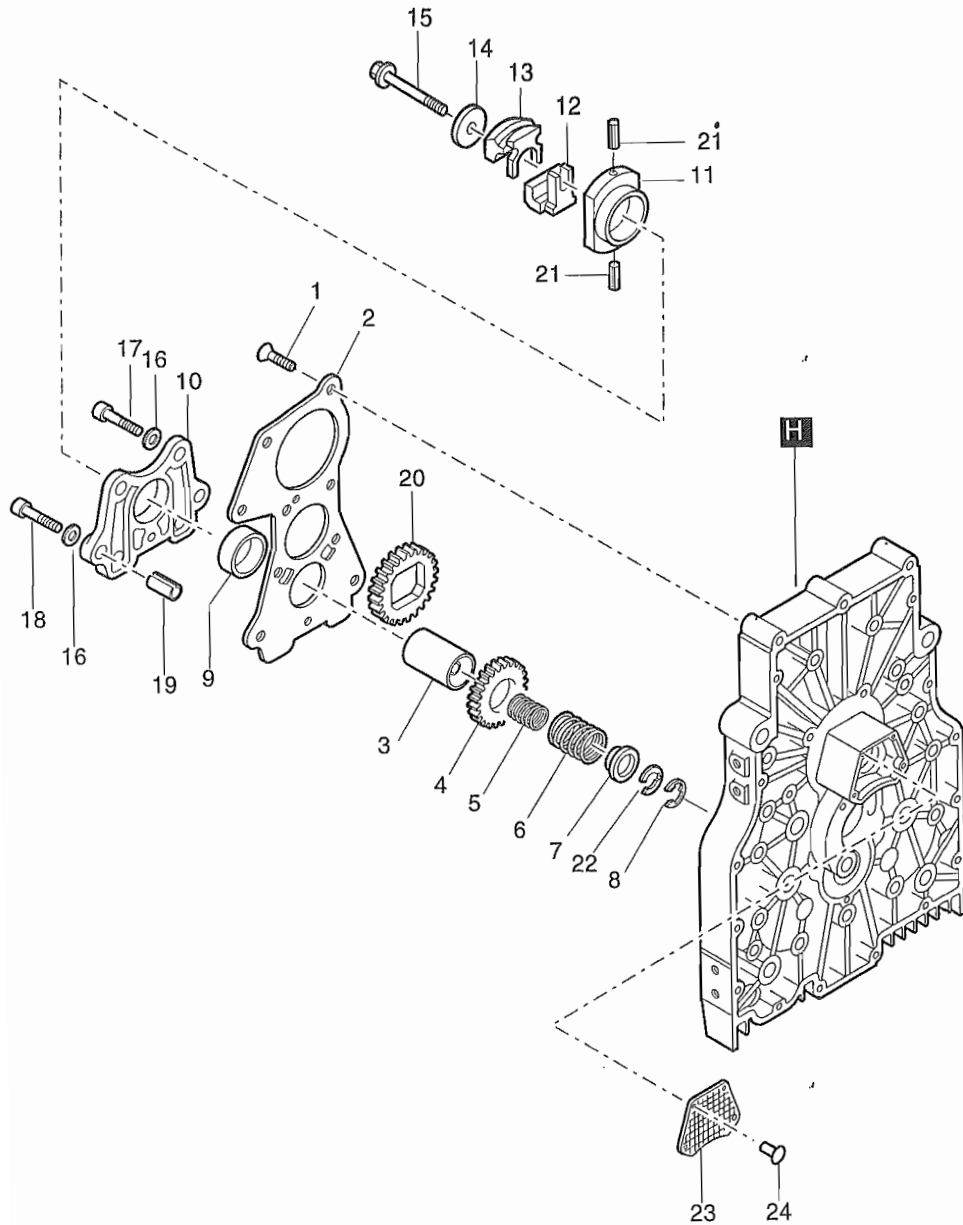


| Fig.-No. | HATZ Ident-No. | Stück Qty. | P / W d / D | Bemerkungen Notes |
|----------|-------------------|---------------|----------------|---------------------------------|
| 1D90V/W | | | | |
| 1 | 012 443 10 | 2 | | |
| 2 | 503 302 00 | 2 | d2 | 19 x 3 |
| 3 | 040 025 00 | 2 | | |
| 4 | 503 470 00 | 2 | P2 | AS 24 x 1,75 DIN 471 |
| 5 | 040 026 00 | 2 | | |
| 6 | 040 020 00 | 2 | | |
| 7 | 503 303 00 | 2 | | 23 x 3 |
| 13 | 031 237 00 | 1 | | |
| 15 | 040 074 10 | 1 | | Ø 60 mm |
| 16 | 503 631 00 | 6 | | M 12 x 1,5 x 40 DIN 912-10.9 |
| 25 | 041 401 10 | 1 | | |
| 26 | 041 530 00 | 1 | | Ø 82 mm |

Ölpumpe, Regler
 Oil pump, govener
 Pompe à huile, regulateur
 Bomba de aceite, regulador
 Pompa olio, regolatore

Tafel Nr.
 Tabl. No.
 Tavola N.

10



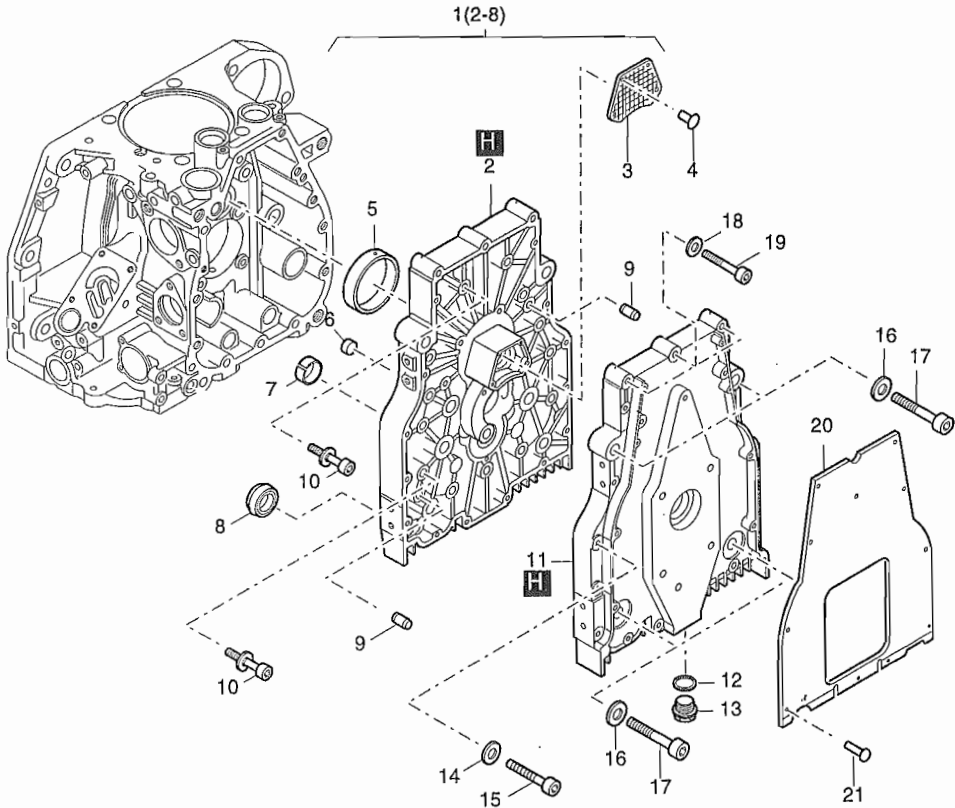
| Fig.-No. | HATZ Ident.-No. | Stück Qty. | P / W d / D | Bemerkungen Notes |
|----------|--------------------|---------------|----------------|--|
| 1D90V/W | | | | |
| 1 | 503 280 00 | 5 | | AM 6 x 16 WN 17065 |
| 2 | 037 974 12 | 1 | | |
| 3 | 012 424 01 | 1 | | |
| 4 | 037 973 10 | 1 | | |
| 5 | 040 528 00 | 0...1 | | Ø 1,6 mm ... 1500 min ⁻¹ |
| 5 | 040 529 00 | 0...1 | | Ø 1,7 mm 1501 ... 1800 min ⁻¹ |
| 5 | 040 088 01 | 0...1 | | Ø 1,9 mm 1801 ... 2300 min ⁻¹ |
| 6 | 040 708 00 | 0...1 | | Ø 2,6 mm 2301 ... 2500 min ⁻¹ |
| 6 | 040 634 00 | 0...1 | | Ø 2,9 mm 2301 ... 3000 min ⁻¹ |
| 6 | 040 896 00 | 0...1 | | Ø 2,9 mm 3000 min ⁻¹ Gen. |
| 5 | 040 088 01 | 0...1 | | Ø 1,9 mm 3001 ... 3600 min ⁻¹ |
| 6 | 040 634 00 | 0...1 | | Ø 2,9 mm 3001 ... 3600 min ⁻¹ } |
| 7 | 037 986 00 | 1 | | |
| 8 | 503 347 00 | 1 | 5 | DIN 6799 |
| 9 | 037 976 00 | 1 | | |
| 10 | 016 945 00 | 1 | | |
| 11 | 037 977 01 | 1 | | |
| 12 | 037 980 02 | 1 | | |
| 13 | 037 981 02 | 1 | | |
| 14 | 037 979 00 | 1 | | |
| 15 | 037 978 01 | 1 | | |
| 16 | 500 812 00 | 5 | A 6 | DIN 137-A3C |
| 17 | 501 708 00 | 3 | M 6 x 25 | DIN 912-8.8 |
| 18 | 500 510 00 | 2 | M 6 x 30 | DIN 912-8.8 |
| 19 | 500 849 01 | 2 | 8 x 12 | DIN 7346 |
| 20 | 037 987 20 | 1 | | |
| 21 | 502 605 01 | 2 | 2 x 10 | DIN 1481 |
| 22 | 040 460 00 | 0...3 | 0,5 mm | |
| 23 | 041 377 00 | 1 | | |
| 24 | 504 776 00 | 4 | 3,2 x 10 | |

M 11

Steuerdeckel
Timing cover
Couvercle distribution
Tapa de mando
Coperchio distribuzione

Tafel Nr.
Tabl. No.
Tavola N.

11



| Fig.-No. | HATZ Ident-No. | Stück Qty. | P / W d / D | Bemerkungen Notes |
|----------|-------------------|---------------|----------------|--|
| 1D90V/W | | | | |
| 1 | 016 249 00 | 1 | | |
| 2 | ----- | - | | |
| 3 | 041 377 00 | 1 | | |
| 4 | 504 776 00 | 4 | | 3,2 x 10 |
| 5 | 040 003 10 | 1 | | |
| 6 | ----- | - | | |
| 7 | 037 976 00 | 1 | | |
| 8 | 041 065 00 | 1 | D1 | |
| 9 | 502 491 01 | 2 | | 8 M 6 x 20 DIN 6325 (2 Fasen) |
| 10 | 504 174 00 | 13 | | M 8 x 30 Z3 DIN 912-8.8 |
| 11 | 041 378 00 | 1 | | s. Taf., Tabl. 22 - Pos. 1-4 |
| 12 | 504 591 00 | 1 | D1 | 22 x 27 DIN 7603-Alu |
| 13 | 503 731 00 | 1 | | AM 22 x 1,5 DIN 7604-A3C magnet. |
| 13 | 501 404 00 | 1 | W1 | AM 22 x 1,5 DIN 7604-A3C f. Ölfilter, Oilfilter |
| 14 | 500 812 00 | 14 | | A 6 DIN 137 A3C |
| 15 | 503 749 00 | 14 | | M 6 x 35 DIN 912-8.8 A3C |
| 16 | 500 036 00 | 4 | | B 12 posph. |
| 17 | 500 569 00 | 4 | | M 12 x 70 DIN 912-10.9 |
| 18 | 500 951 00 | 3 | | A 8 DIN 137 A3C |
| 19 | 501 775 00 | 3 | | M 8 x 40 DIN 912-8.8 A3C |
| 20 | 041 405 00 | 1 | | |
| 21 | 504 776 00 | 10 | | 2,4 x 6 |

M 12

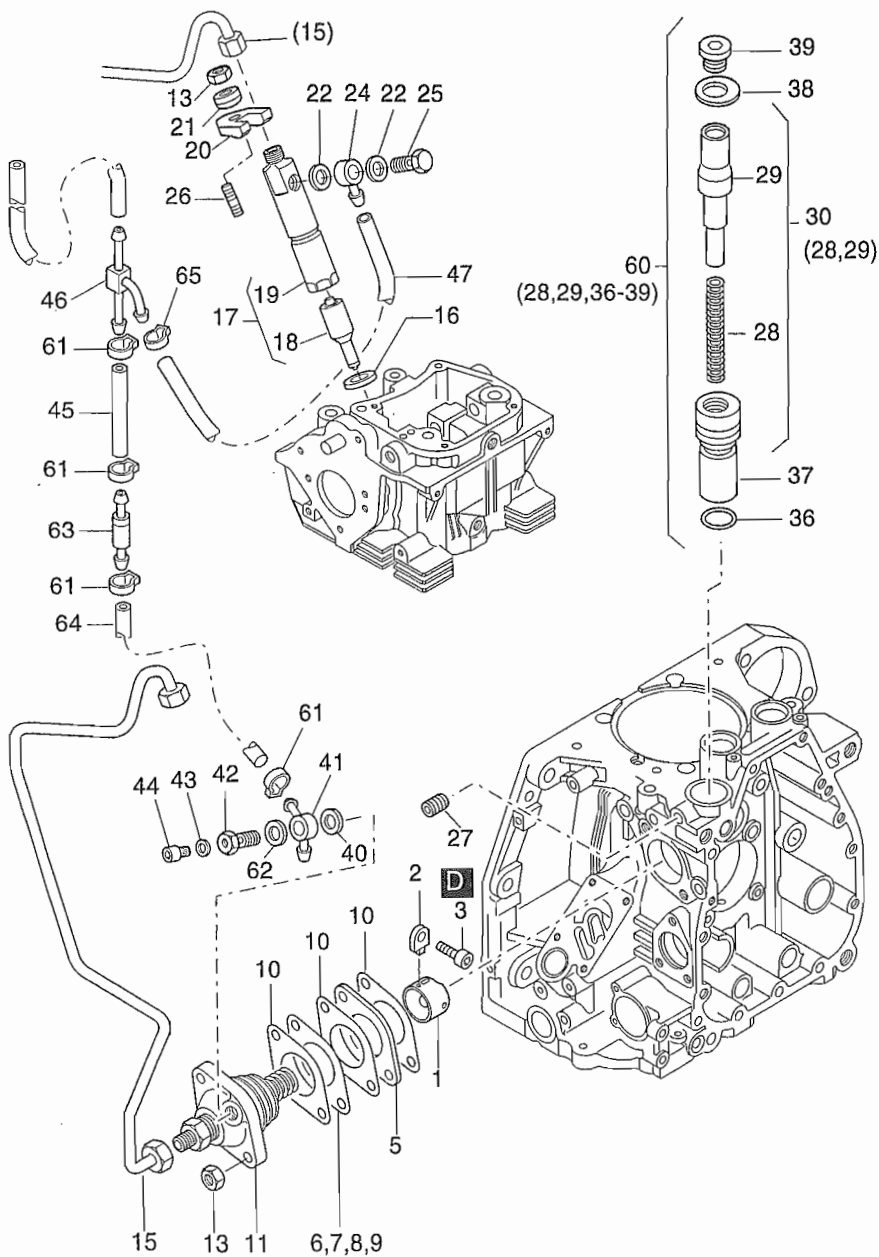
Startfüllung
Extra fuel device
Sucharge
Sobre aliment.-arranque
Supplemento

M 14

Einspritzrüstung
Injection equipment
Equipement d'injection
Equipo de inyección
Equipaggiamento d'iniezione

Tafel Nr.
Tabl. No.
Tavola N.

12



| Fig.-No. | HATZ Ident-No. | Stück Qty. | P / W d / D | Bemerkungen Notes |
|----------|-------------------|---------------|----------------|--------------------------|
| 1D90V/W | | | | |
| 1 | 504 929 00 | 1 | | |
| 2 | 041 692 00 | 1 | | |
| 3 | 500 507 00 | 1 | | M 6 x 16 DIN 912-8.8 |
| 5 | 041 693 00 | 1 | | 5,7 mm |
| 6 | 032 097 00 | 0...1 | | 0,30 mm |
| 7 | 041 024 00 | 0...1 | | 0,60 mm |
| 8 | 041 025 00 | 0...1 | | 0,90 mm |
| 9 | 041 026 00 | 0...1 | | 1,20 mm |
| 10 | 040 713 00 | 2...3 | D3 | 0,10 mm |
| 10 | 041 022 00 | 2...3 | | 0,20 mm |
| 10 | 041 023 00 | 2...3 | | 0,30 mm |
| 11 | 504 928 02 | 1 | | |
| 12 | ----- | - | | |
| 13 | 501 480 00 | 3 | | M 8 DIN 934-8 A3C |
| 14 | ----- | - | | |
| 15 | 013 136 10 | 1 | | |
| 16 | 040 258 00 | 1 | d1 | |
| 17 | 504 930 01 | 1 | | |
| 18 | 504 931 01 | 1 | P1 | |
| 20 | 037 924 00 | 1 | | |
| 21 | 040 357 00 | 1 | | |
| 22 | 500 008 00 | 2 | d2 | A 6,5 x 9,5 DIN 7603-Cu |
| 23 | ----- | - | | |
| 24 | 503 334 00 | 1 | | |
| 25 | 503 130 00 | 1 | | M 6 |
| 26 | 500 384 00 | 1 | | M 8 x 35 DIN 835-8.8 A3C |
| 27 | 500 046 00 | 1 | | AM 8 x 16 DIN 916-45H |
| 28 | 050 352 00 | 1 | | |
| 29 | ----- | - | | |
| 30 | 015 195 00 | 1 | | |
| 31 | ----- | - | | |
| 32 | ----- | - | | |
| 33 | ----- | - | | |
| 34 | ----- | - | | |
| 35 | ----- | - | | |
| 36 | 503 289 00 | 1 | D2 | 22 x 1,6 |
| 37 | 040 014 10 | 1 | | |

M 12

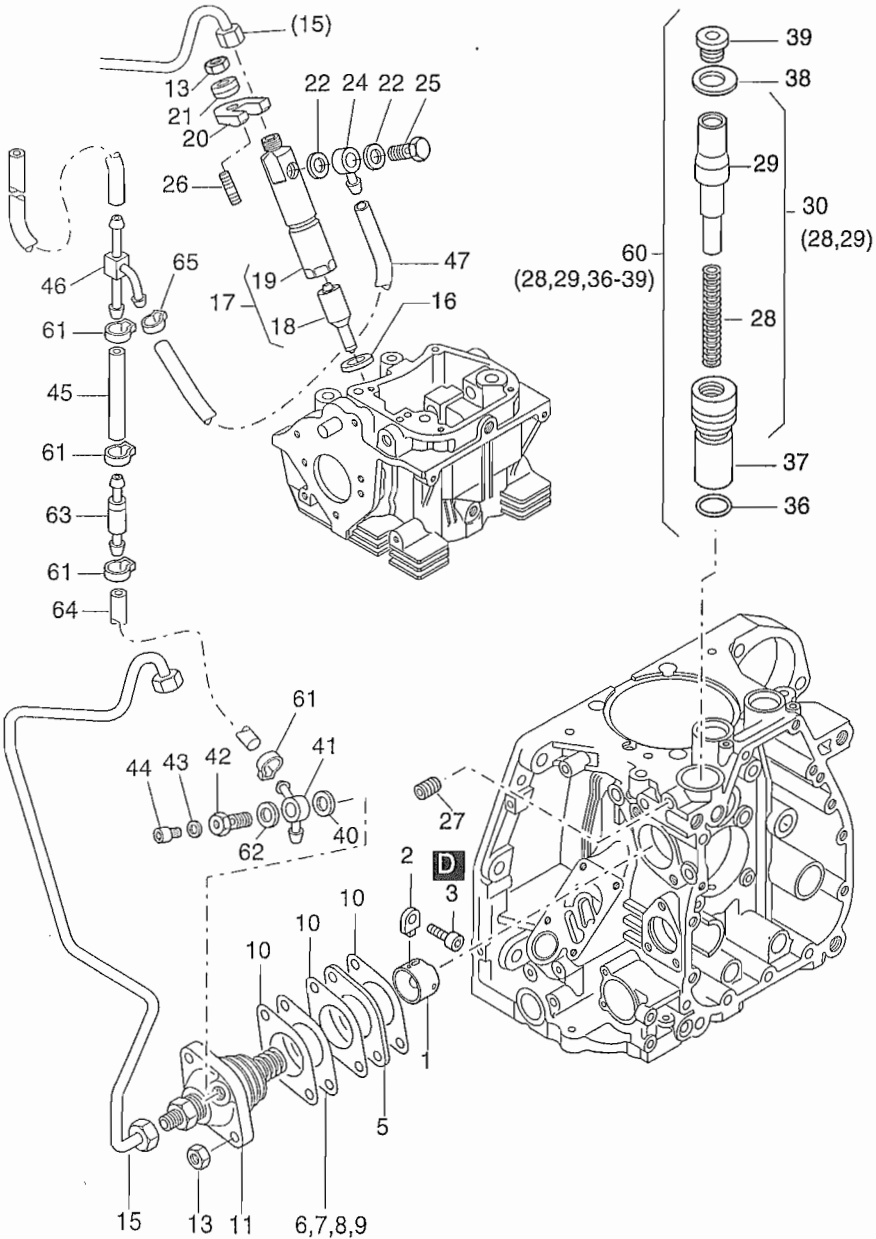
Startfüllung
Extra fuel device
Sucharge
Sobre aliment.-arranque
Supplemento

M 14

Einspritzausrüstung
Injection equipment
Equipement d'injection
Equipo de inyección
Equipaggiamento d'iniezione

Tafel Nr.
Tabl. No.
Tavola N.

12



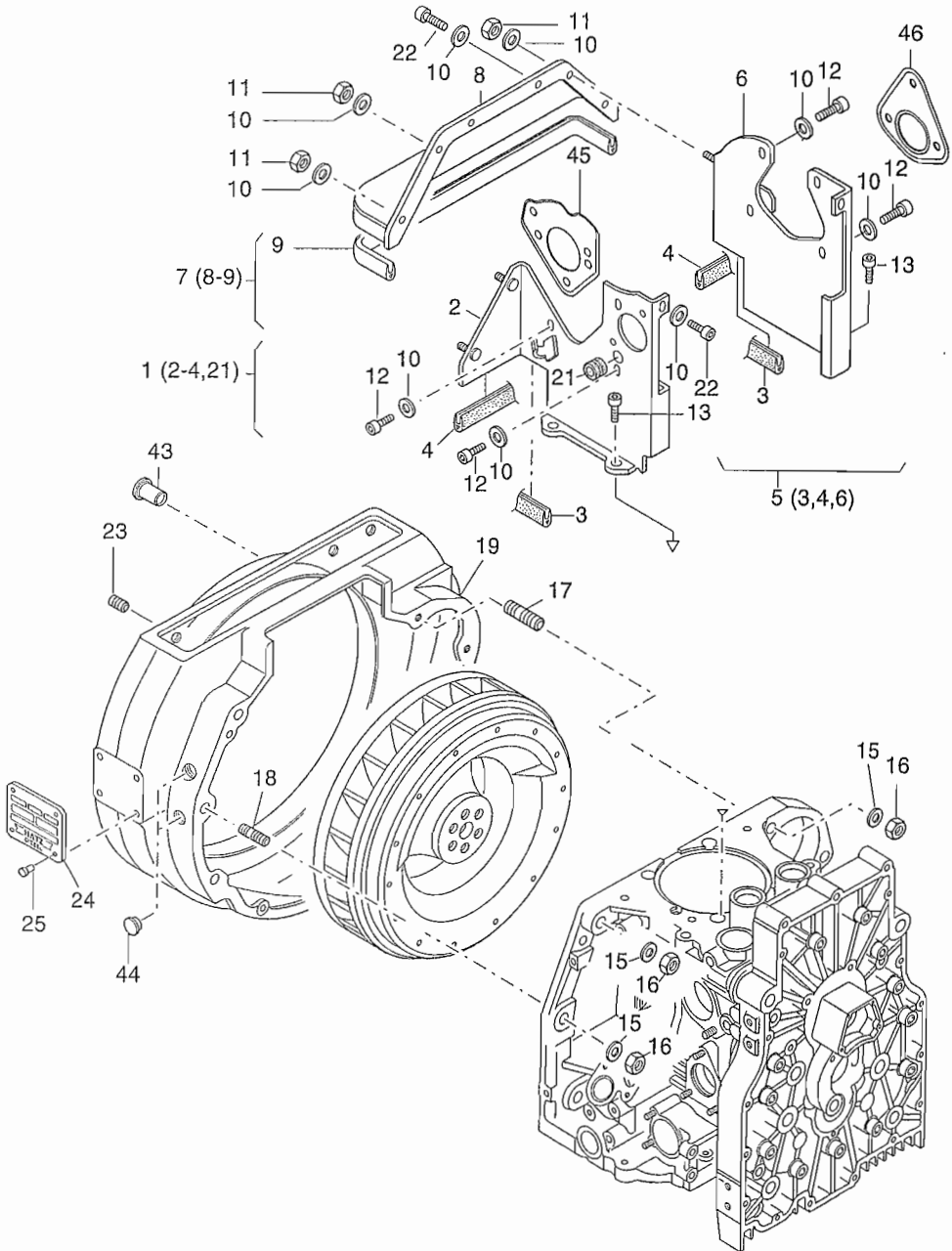
| Fig.-No. | HATZ Ident-No. | Stück Qty. | P / W d / D | Bemerkungen Notes |
|----------|-------------------|---------------|----------------|---------------------------------|
| 1D90V/W | | | | |
| 38 | 040 016 00 | 1 | | |
| 39 | 503 308 00 | 1 | | M 16 x 1,5 DIN 908-5.8 A3C Tuf. |
| 40 | 500 011 00 | 1 | D2 | A 12 x 15,5 DIN 7603-Cu |
| 41 | 051 821 01 | 1 | | |
| 42 | 012 232 00 | 1 | | |
| 43 | 500 009 00 | 1 | | A 8 x 11,5 DIN 7603-Cu |
| 44 | 501 379 00 | 1 | | M 8 x 1 DIN 7604 |
| 45 | 052 098 00 | 1 | | 4,5 x 2,5 - 140 mm |
| 46 | 051 700 00 | 1 | | |
| 47 | 039 621 00 | 1 | | 3,5 x 2,5 - 160 mm |
| 60 | 014 989 02 | 1 | | |
| 61 | 503 998 01 | 4 | | 11,3 |
| 62 | 039 694 00 | 1 | | 12,2 x 16 x 3,5 |
| 63 | 008 055 01 | 1 | | |
| 64 | 036 642 00 | 1 | | 4,5 x 2,5 x 130 mm |
| 65 | 503 999 00 | 1 | | 9,5 |

M 26

Luftführung
Air duction
Carter ventilation
Conducción de aire
Carter ventilatore

Tafel Nr.
Tabl. No.
Tavola N.

13



| Fig.-No. | HATZ Ident-No. | Stück Qty. | P / W d / D | Bemerkungen Notes |
|----------|-------------------|---------------|----------------|----------------------|
| 1D90V/W | | | | |
| 1 | 012 462 21 | 1 | | |
| 2 | ----- | - | | |
| 3 | 040 076 01 | 2 | | 35 mm |
| 4 | 040 077 20 | 2 | | 76 mm |
| 5 | 012 464 12 | 1 | | |
| 6 | ----- | - | | |
| 7 | 012 466 00 | 1 | | |
| 8 | ----- | - | | |
| 9 | 040 079 01 | 1 | | 406 mm |
| 10 | 501 445 00 | 15 | 6,4 | DIN 125-St A3C |
| 11 | 501 444 00 | 4 | M 6 | DIN 934-8 A3C |
| 12 | 503 842 00 | 7 | M 6 x 12 | DIN 912-8.8 A3C Tuf. |
| 13 | 502 063 00 | 4 | M 8 x 18 | DIN 912-8.8 A3C |
| 15 | 500 937 00 | 6 | 13 | DIN 125 -St A3C |
| 16 | 500 936 00 | 6 | M 12 | DIN 934-8 A3C |
| 17 | 504 750 00 | 2 | M 12 F0 x 40 | DIN 835-8.8 A3C |
| 18 | 504 749 00 | 4 | M 12 F0 x 35 | DIN 835-8.8 A3C |
| 19 | 016 892 00 | 1 | | |
| 21 | 503 348 00 | 1 | | |
| 22 | 501 707 00 | 4 | M 6 x 16 | DIN 912-8.8 A3C |
| 23 | 502 260 00 | 4 | M 8 x 6 | DIN 913-45H |
| 24 | 032 255 04 | 1 | | |
| 25 | 400 025 00 | 4 | | 2,4 x 6 |
| 43 | 504 216 00 | 8 | | 12 |
| 44 | 501 608 00 | 2 | | F 5 |
| 45 | 041 257 00 | 1 | | |
| 46 | 041 256 00 | 1 | | |

M 31

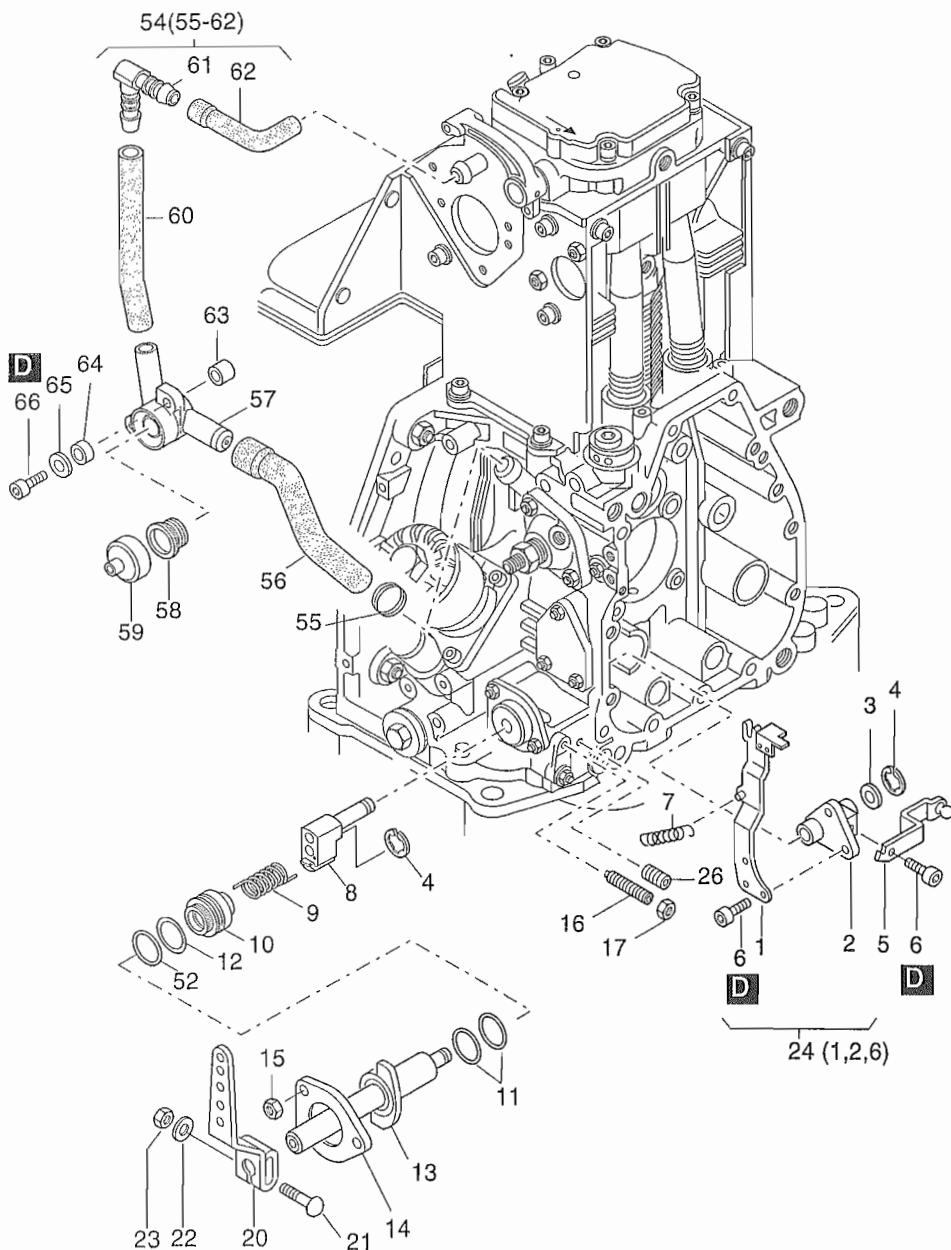
Entlüftung
Breather
Purge d'air
Purga de aire
Sfiatatoio

M 32

Drehzahlverstellung
Speed control
Réglage régime
Ajuste de revoluc.
Regolatore di giri

Tafel Nr.
Tabl. No.
Tavola N.

14



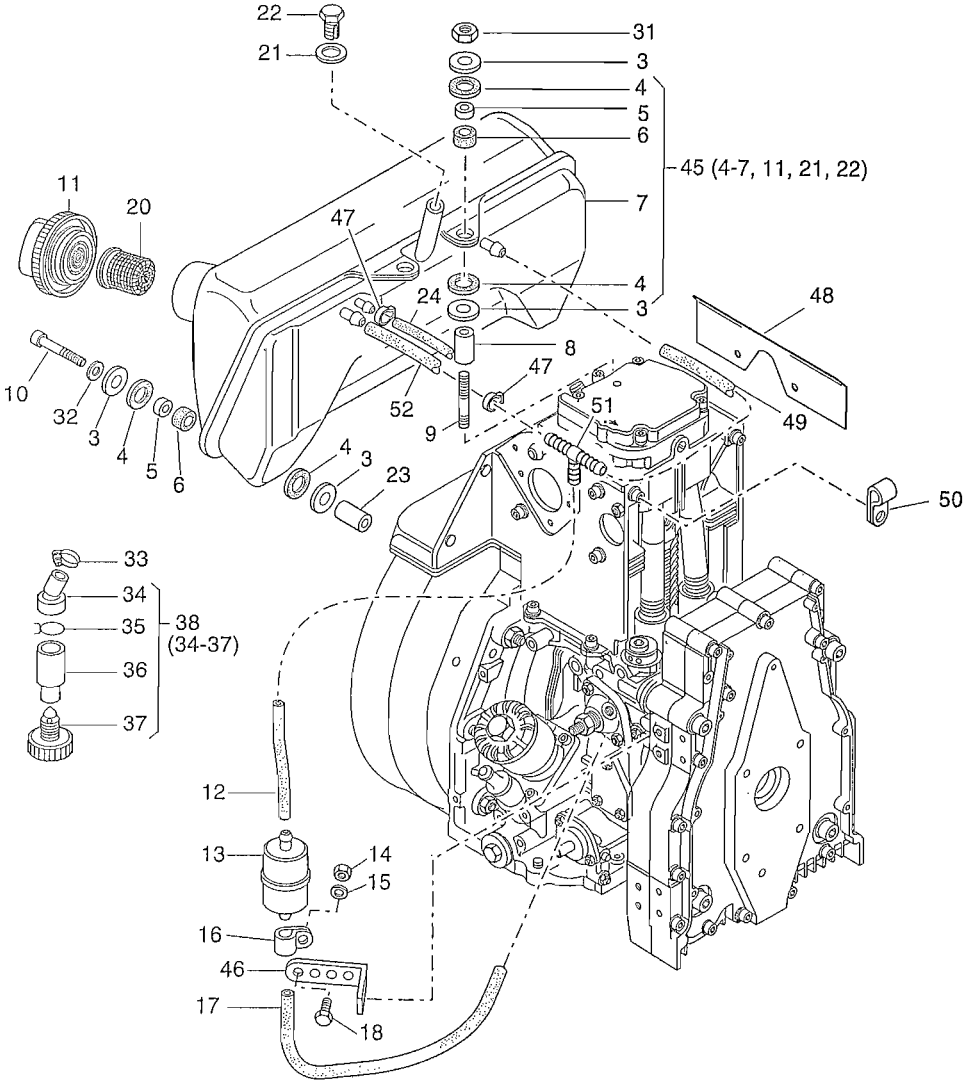
| Fig.-No. | HATZ Ident-No. | Stück Qty. | P / W d / D | Bemerkungen Notes | | |
|----------|-------------------|---------------|----------------|----------------------|------------------|-----|
| 1D90V/W | | | | | | |
| 1 | ----- | - | | | | |
| 2 | ----- | - | | | | |
| 3 | 040 001 00 | 1 | | | | |
| 4 | 502 661 00 | 2 | | 6 | DIN 6799 | |
| 5 | 040 375 00 | 1 | | | | |
| 6 | 503 287 01 | 4 | | M 5 x 8 | DIN 912-8.8 Tuf. | |
| 7 | 040 002 00 | 1 | | | | |
| 8 | 012 428 10 | 1 | | | | |
| 9 | 037 990 10 | 1 | | | | |
| 10 | 040 527 10 | 1 | | | | |
| 11 | 504 129 00 | 2 | D2 | 18 x 2 | | |
| 12 | 501 299 00 | 1 | D1 | 32 x 2,5 | | |
| 13 | 012 792 21 | 1 | | | | |
| 14 | 037 992 10 | 1 | | | | |
| 15 | 503 283 00 | 3 | | VM 6 | DIN 980-8 | A3C |
| 16 | 505 078 00 | 2 | | M 6 x 45 | | |
| 17 | 501 444 00 | 2 | | M 6 | DIN 934-8 | A3C |
| 20 | 038 883 00 | 1 | | | | |
| 21 | 039 273 00 | 1 | | M 6 x 32 | | |
| 22 | 501 445 00 | 1 | | 6,4 | DIN 125-St | A3C |
| 23 | 501 444 00 | 1 | | M 6 | DIN 934-8 | A3C |
| 24 | 012 468 03 | 1 | | | | |
| 26 | 504 035 00 | 1 | | M 8 x 20 | DIN 914-45 H | |
| 52 | 504 536 00 | 1 | | 32 x 45 x 2,5 | DIN 988 | A3C |
| 54 | 013 404 00 | 1 | | | | |
| 55 | 040 905 00 | 1 | | | | |
| 56 | 041 409 00 | 1 | | | | |
| 57 | ----- | - | | | | |
| 58 | 035 687 00 | 1 | | | | |
| 59 | 041 407 00 | 1 | | | | |
| 60 | 041 694 00 | 1 | | 11 x 16 x 160 | | |
| 61 | 504 772 00 | 1 | | WS 10-90° | | |
| 62 | 041 408 00 | 1 | | | | |
| 63 | 041 410 00 | 1 | | 6,1 x 15 x 20 | | |
| 64 | 040 805 00 | 1 | | 7 x 8 x 8 | | |
| 65 | 501 445 00 | 1 | | 6,4 | DIN 125-St | A3C |
| 66 | 503 749 00 | 1 | | M 6 x 35 | DIN 912-8.8 | A3C |

A 01

Kraftstoffbehälter, Filter, Leitungen
Fuel tank, filter, pipes
Reservoir à carburant, filtre, conduites
Depósito combustible, filtro, tubería
Serbatoio combustibile

Tafel Nr.
Tabl. No.
Tavola N.

15



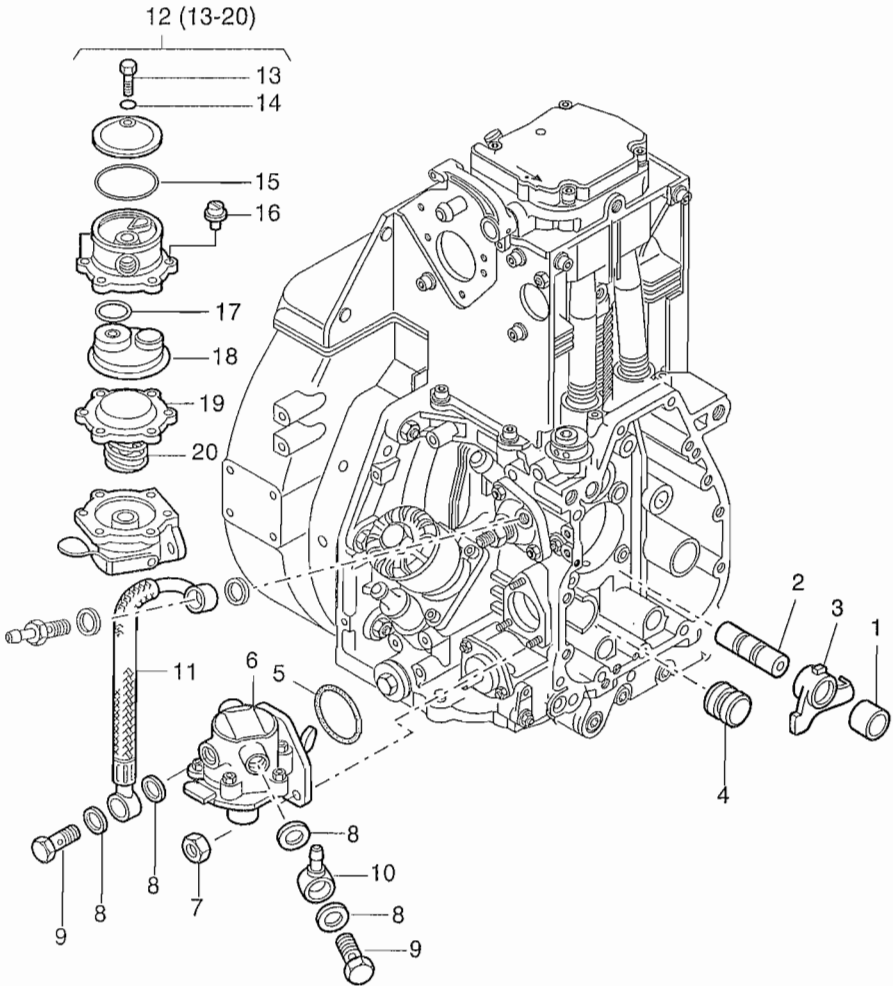
| Fig.-No. | HATZ Ident-No. | Stück Qty. | P / W d / D | Bemerkungen Notes |
|----------|-------------------|---------------|----------------|---------------------------|
| 1D90V/W | | | | |
| 3 | 050 976 00 | 12 | | |
| 4 | 039 818 02 | 12 | | 15 - 25 |
| 5 | 039 817 01 | 6 | | 8,4 x 13 x 7,5 |
| 6 | 039 819 00 | 6 | | |
| 7 | ----- | - | | |
| 8 | 039 898 00 | 2 | | 8,5 x 20 x 49 |
| 9 | 503 770 01 | 2 | | M 8 x 75 DIN 835-10.9 A3C |
| 10 | 501 775 00 | 4 | | M 8 x 40 DIN 912-8.8 A3C |
| 11 | 503 858 01 | 1 | P1 | |
| 12 | 050 379 00 | 1 | | 7 x 90 |
| 13 | 504 788 00 | 1 | W2 | |
| 14 | 501 444 00 | 1 | | M 6 DIN 934-8 |
| 15 | 501 445 00 | 1 | | 6,4 DIN 125-St A3C |
| 16 | 501 584 00 | 1 | | |
| 17 | 036 743 00 | 1 | | 7 x 305 mm |
| 18 | 501 655 00 | 1 | | M 6 x 12 DIN 933-8.8 A3C |
| 20 | 503 873 00 | 1 | | |
| 21 | 500 010 00 | 1 | | A 10 x 16 DIN 7603-Cu |
| 22 | 051 260 00 | 1 | | M 10 x 12 |
| 23 | 050 292 00 | 4 | | 9 x 18 x 8 |
| 24 | 051 819 01 | 1 | | 4,5 x 35 mm |
| 31 | 501 480 00 | 2 | | M 8 DIN 934-8 A3C |
| 32 | 502 085 00 | 4 | | 8 DIN 128-St A3C |
| 33 | 504 480 00 | 1 | | |
| 34 | 050 440 01 | 1 | | |
| 35 | 050 369 00 | 1 | | 28 mm |
| 36 | 050 439 00 | 1 | | |
| 37 | 504 148 00 | 1 | | M 10 |
| 38 | 015 194 01 | 1 | | |
| 45 | 016 265 01 | 1 | | 7 l |
| 45 | 016 266 01 | 1 | | 10 l |
| 46 | 051 183 00 | 1 | | |
| 47 | 503 998 01 | 2 | | 11,3 |
| 48 | 051 969 00 | 1 | | |
| 49 | 036 935 00 | 1 | | 7 x 380 |
| 50 | 501 735 00 | 1 | | |
| 51 | 504 406 00 | 1 | | |
| 52 | 050 232 00 | 1 | | 7 x 160 |

A 01

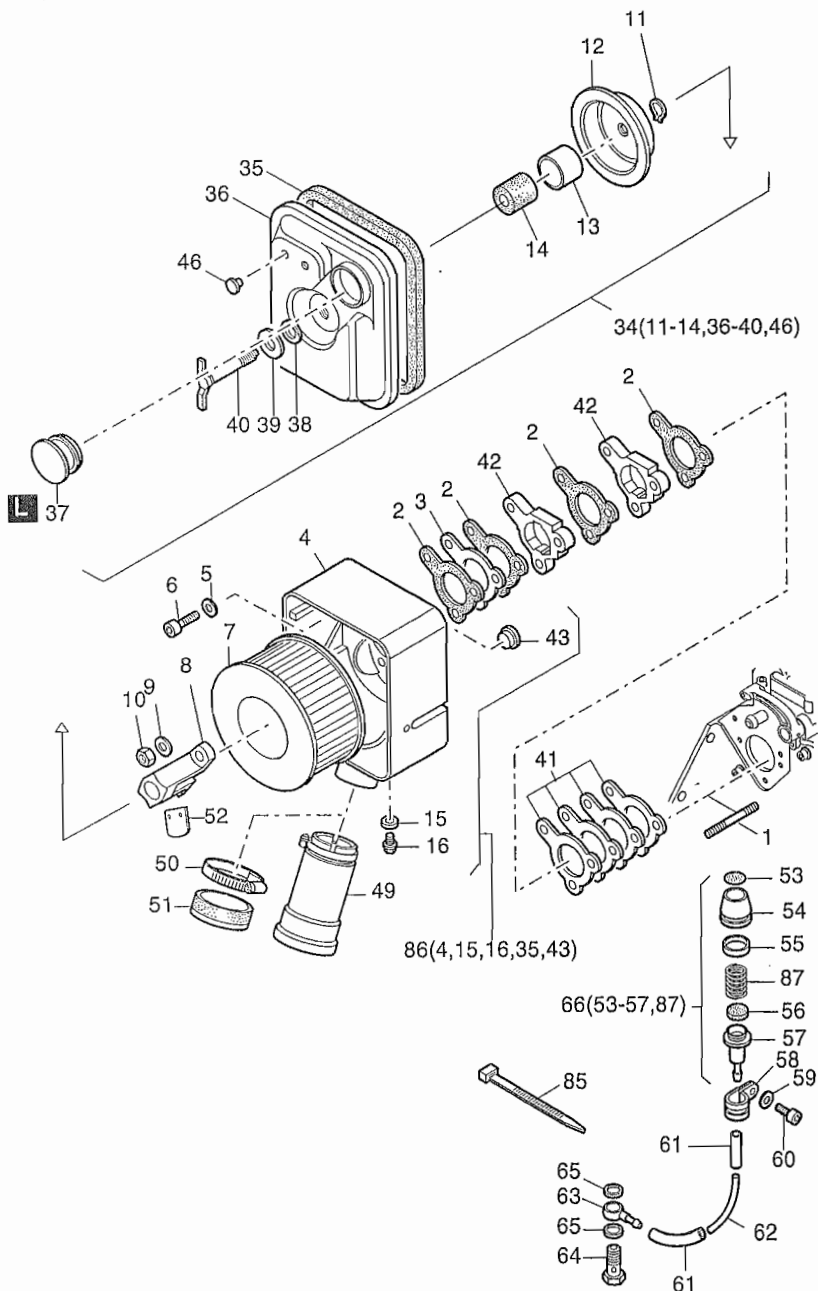
Förderpumpe
Fuel feed pump
Pompe alimentation
Bomba alimentacion
Pompa A.C.

Tafel Nr.
Tabl. No.
Tavola N.

16



| Fig.-No. | HATZ Ident-No. | Stück Qty. | P / W d / D | Bemerkungen Notes |
|----------|----------------|------------|-------------|---------------------------|
| 1D90V/W | | | | |
| 1 | 040 119 00 | 1 | | „V“ 15 x 24 x 17 |
| 2 | 037 964 01 | 1 | | „V“ |
| 3 | 040 118 10 | 1 | | |
| 4 | 040 008 00 | 1 | | |
| 5 | 503 318 00 | 1 | D1 | 35 x 2,8 |
| 6 | 503 323 02 | 1 | | |
| 7 | 503 283 00 | 3 | | VM6 980-8 A3C |
| 8 | 500 012 00 | 4 | | A 14 x 18 DIN 7603-Cu |
| 9 | 500 064 00 | 2 | | 10-3 DIN 7643 |
| 10 | 500 159 00 | 1 | | NW 8/6 |
| 11 | 014 688 01 | 1 | | |
| 12 | 490 625 01 | 1 | | Reparatursatz, repair kit |
| 13 | ----- | - | | |
| 14 | ----- | - | | |
| 15 | 503 995 00 | 1 | | 37 x 2,5 |
| 16 | ----- | - | | |
| 17 | ----- | - | | |
| 18 | ----- | - | | |
| 19 | ----- | - | | |
| 20 | ----- | - | | |



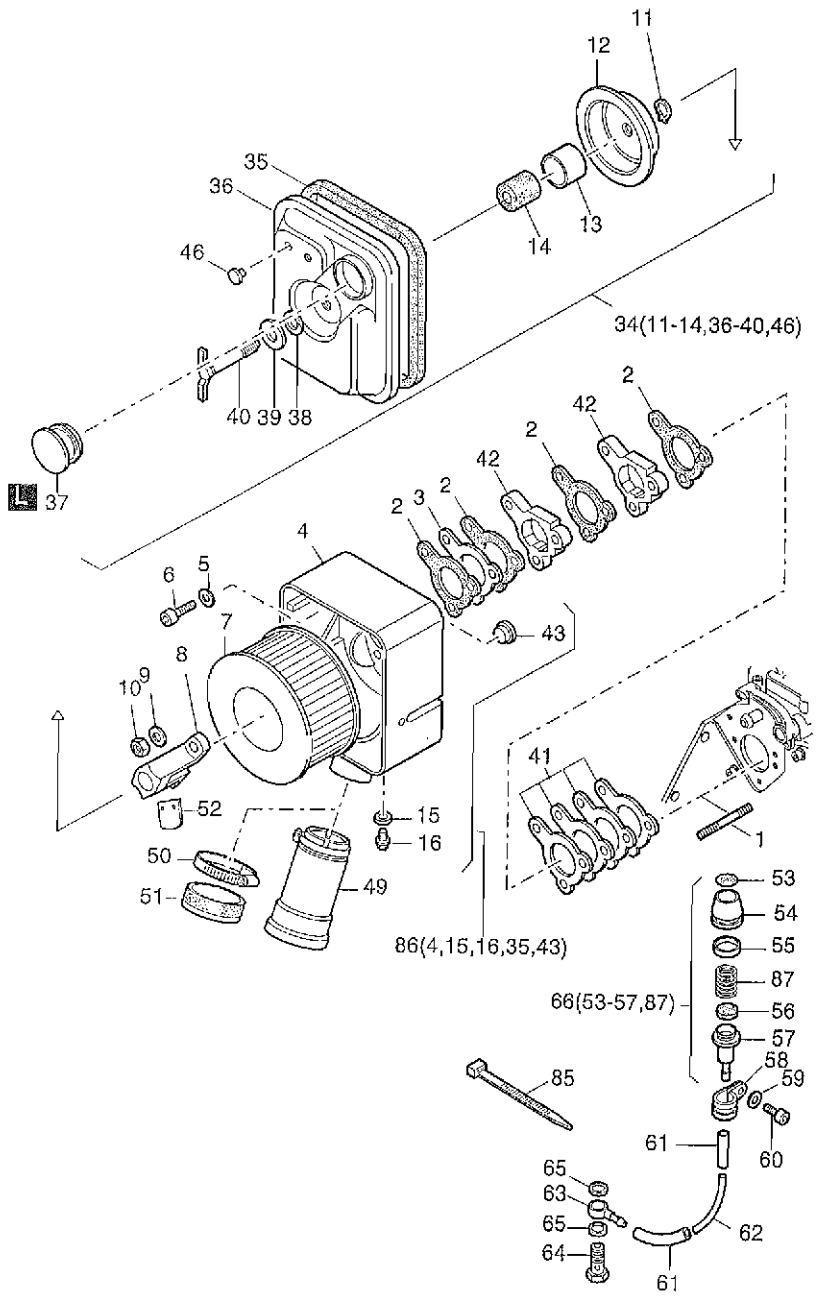
| Fig.-No. | HATZ Ident-No. | Stück Qty. | P / W d / D | Bemerkungen Notes |
|----------|-------------------|---------------|----------------|---------------------------|
| 1D90V/W | | | | |
| 1 | 500 391 00 | 2 | | M 8 x 70 DIN 835-8.8 |
| 2 | 040 063 00 | 4 | d4 | |
| 3 | 040 062 00 | 1 | | |
| 4 | ----- | - | | s. Pos. 86 |
| 5 | 500 951 00 | 1 | | A 8 DIN 137 A3C |
| 6 | 504 785 00 | 1 | | M 8 x 55 DIN 6912-8.8 A3C |
| 7 | 014 930 00 | 1 | W2 | |
| 8 | 014 834 00 | 1 | | |
| 9 | 501 481 00 | 2 | | 8,4 DIN 125-St A3C |
| 10 | 501 295 00 | 2 | | M 8 DIN 985-8 A3C |
| 11 | 504 120 00 | 1 | | A 10 x 1 DIN 471 |
| 12 | 050 364 00 | 1 | | |
| 13 | 050 393 00 | 1 | | 33 x 35 x 23,5 |
| 14 | 035 794 00 | 1 | | |
| 15 | 500 624 00 | 1 | | A 10 x 13,5 DIN 7603-Cu |
| 16 | 500 623 00 | 1 | | M 10 x 1 DIN 908-5.8 A3C |
| 34 | 012 795 10 | 1 | | |
| 35 | 040 477 01 | 1 | | 705 mm |
| 36 | ----- | - | | |
| 37 | 050 394 02 | 1 | | |
| 38 | 038 141 00 | 1 | | |
| 39 | 050 387 00 | 1 | | 11 x 36 x 3 |
| 40 | 014 908 00 | 1 | | |
| 41 | 012 879 00 | 1 | | |
| 42 | 040 473 00 | 2 | | |
| 43 | 503 957 00 | 1 | | 15 PHT |
| 46 | 504 119 00 | 2 | | F2 |
| 49 | 014 110 00 | 1 | | |
| 50 | 504 066 00 | 1 | | 40/60 |
| 51 | 005 759 00 | 1 | | |
| 52 | 050 335 00 | 1 | | |
| 53 | 050 445 01 | 1 | | |
| 54 | 050 436 01 | 1 | | |
| 55 | 050 456 00 | 1 | | grün, green,vert, verde |
| 56 | 051 372 00 | 1 | | Filter |

A 02

Luffilter
 Air filter
 Filtre à air
 Filtro de aire
 Filtro aria

Tafel Nr.
 Tabl. No.
 Tavola N.

17



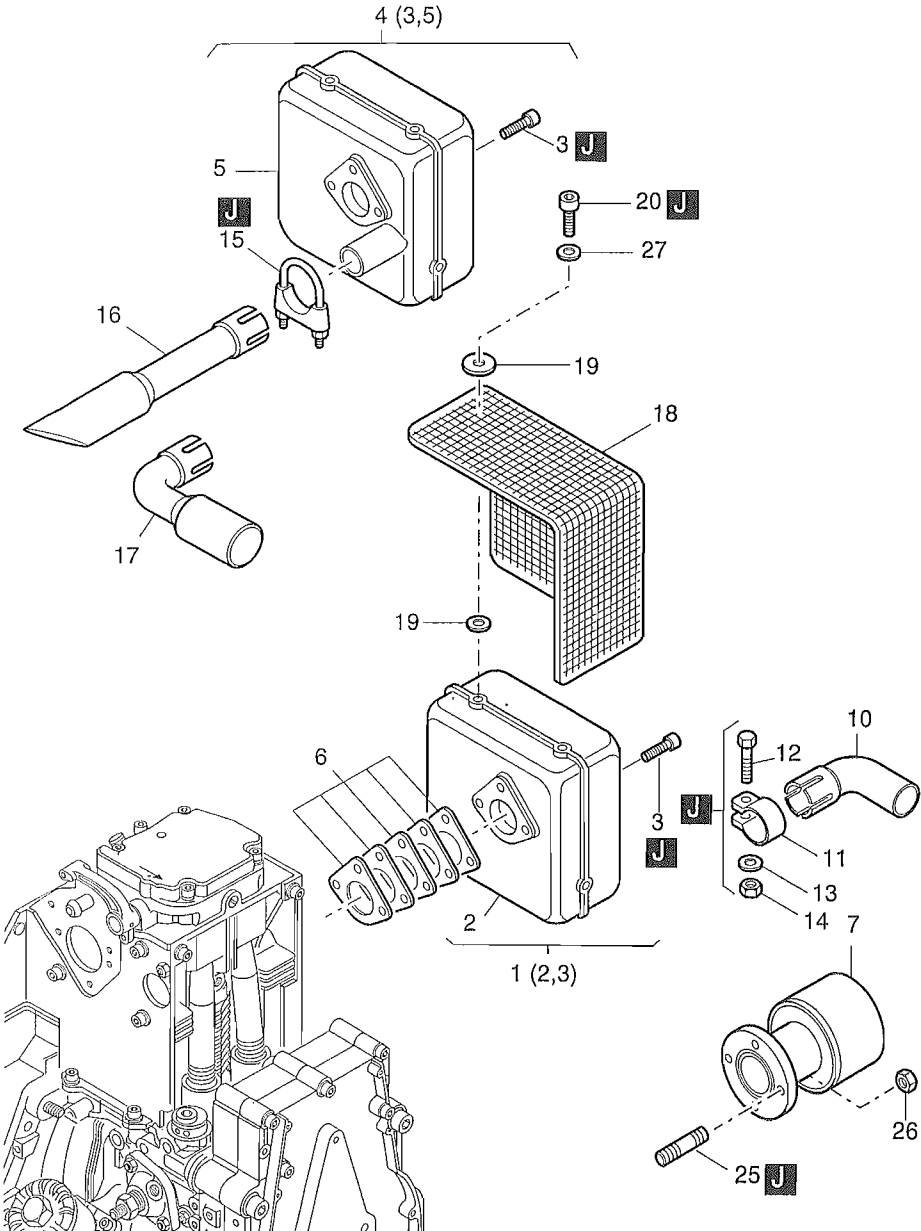
| Fig.-No. | HATZ Ident-No. | Stück Qty. | P / W d / D | Bemerkungen Notes |
|----------|-------------------|---------------|----------------|---------------------------------|
| 1D90V/W | | | | |
| 57 | 050 437 00 | 1 | | |
| 58 | 501 735 00 | 1 | | 10/15 |
| 59 | 501 709 00 | 1 | | 6 DIN 128 A3C |
| 60 | 501 706 00 | 1 | | M 6 x 20 DIN 912-8.8 A3C |
| 61 | 039 614 00 | 2 | | 3,5 x 50 |
| 62 | 050 446 10 | 1 | | 2 x 4 x 135 |
| 63 | 501 595 00 | 1 | | NW 4/3 |
| 64 | 500 062 00 | 1 | | 6-3 DIN7643 |
| 65 | 500 624 00 | 2 | | A 10 x 13,5 DIN 7603-Cu |
| 66 | 016 385 00 | 1 | | (Pos. 53, 54, 55, 56, 57, 87) |
| 85 | 503 584 00 | 1 | | |
| 86 | 014 866 00 | 1 | | (Pos. 4, 15, 16, 35, 43) |
| 87 | 051 611 00 | 1 | | |

A 03

Abgasdämpfer
Exhaust silencer
Silencieux
Silenciador
Marmitta

Tafel Nr.
Tabl. No.
Tavola N.

18



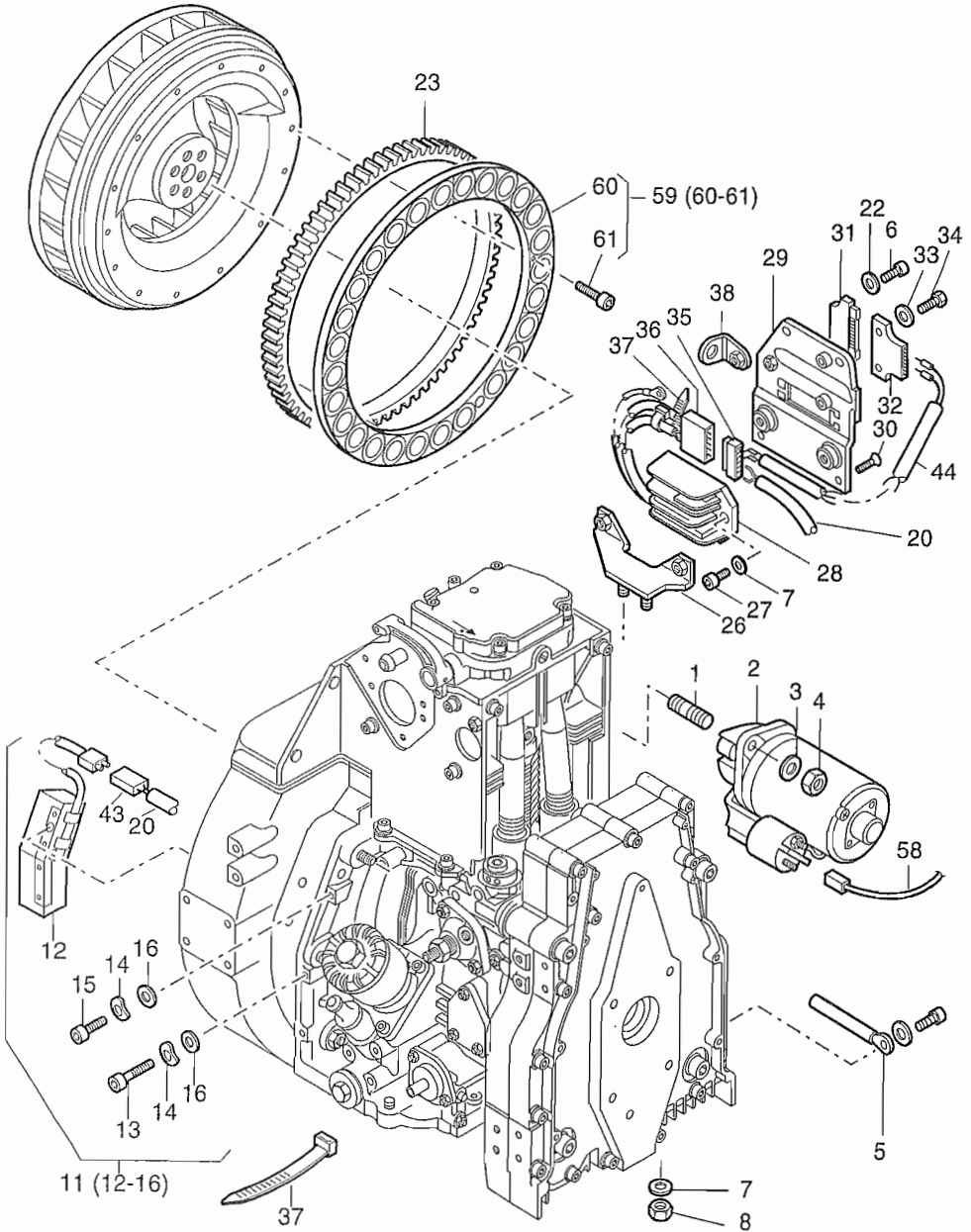
| Fig.-No. | HATZ Ident-No. | Stück Qty. | P / W d / D | Bemerkungen Notes |
|----------|-------------------|---------------|----------------|---------------------------|
| 1D90V/W | | | | |
| 1 | 014 988 00 | 1 | | |
| 2 | ----- | - | | |
| 3 | 504 040 00 | 3 | | M 8 x 30 DIN 912-8.8 C4P |
| 4 | 015 075 00 | 1 | | |
| 5 | ----- | - | | |
| 6 | 014 291 00 | 1 | d1 | |
| 7 | 015 009 00 | 1 | | |
| 10 | 038 773 00 | 1 | | |
| 11 | 038 777 00 | 1 | | 52,5 mm |
| 12 | 502 495 00 | 1 | | M 10 x 50 DIN 931-8.8 A3C |
| 13 | 501 459 00 | 1 | | 10,5 DIN 125-St A3C |
| 14 | 400 286 00 | 1 | | VM 10 DIN 980-8 C3A |
| 15 | 503 881 00 | 1 | | 3/8-36 |
| 16 | 039 971 01 | 1 | | |
| 17 | 039 970 00 | 1 | | |
| 18 | 011 919 02 | 1 | | |
| 19 | 050 342 00 | 10 | | 6,5 x 38 |
| 20 | 502 557 00 | 5 | | M 6 x 12 DIN 912-8.8 C4P |
| 25 | 500 373 00 | 2 | | M 8 x 18 DIN 835-10.9 |
| 26 | 400 284 00 | 2 | | VM 8 DIN 980-8 C3A |
| 27 | 501 200 00 | 5 | | A 6,4 DIN 9021-St A3C |

A 05

Starter, Generator
Starter, alternator
Démarreur, alternateur
Arrancador, alternador
Motorino avviamento, alternatore

Tafel Nr.
Tabl. No.
Tavola N.

19



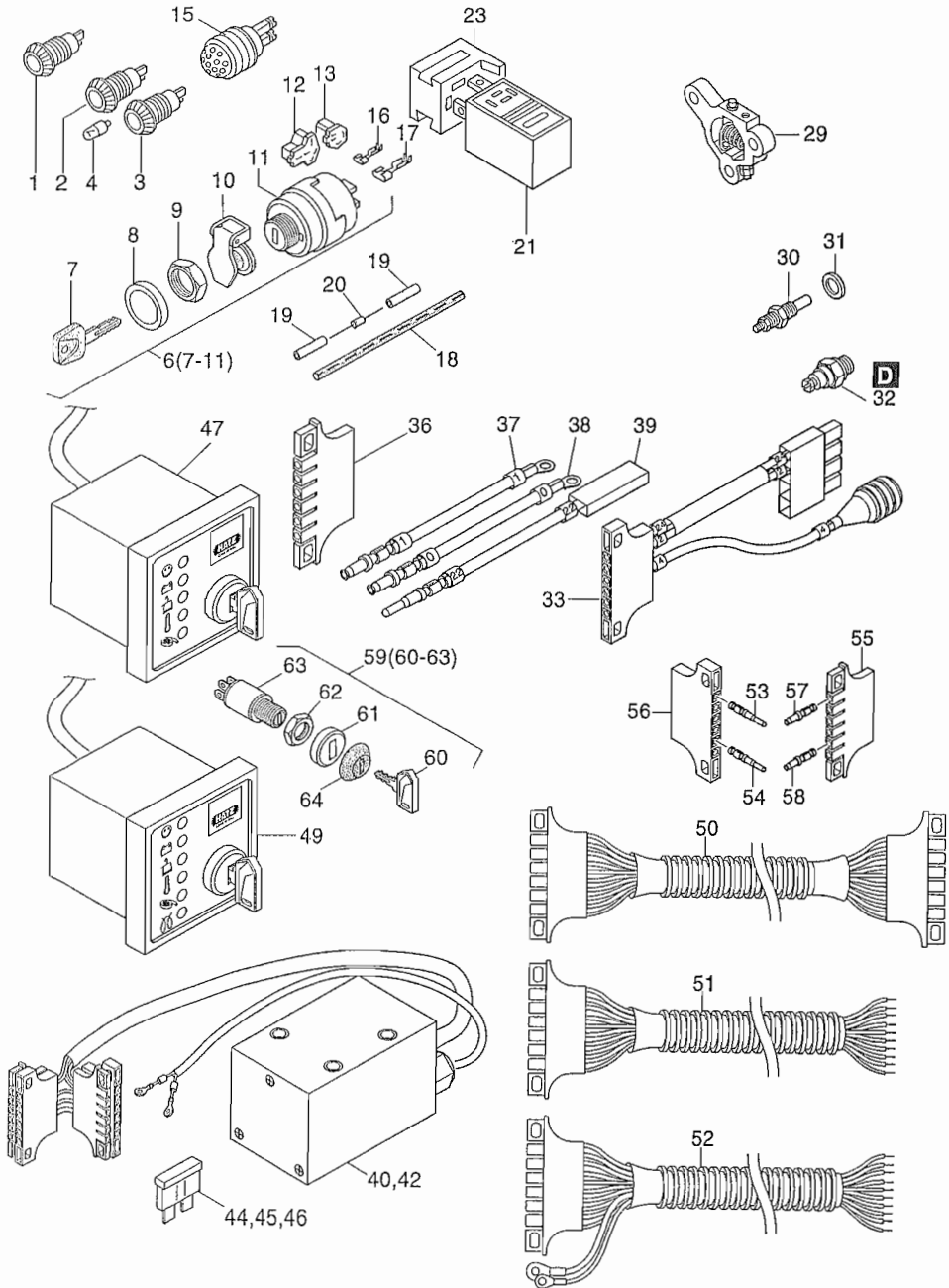
| Fig.-No. | HATZ Ident-No. | Stück Qty. | P / W d / D | Bemerkungen Notes |
|----------|-------------------|---------------|----------------|-------------------------------|
| 1D90V/W | | | | |
| 1 | 504 864 00 | 2 | | M 12 x 50 FO DIN 835-8.8 A3C |
| 2 | 504 959 00 | 1 | | 12 V - 2,0 kW |
| 3 | 500 937 00 | 2 | | 13 DIN 125-St A3C |
| 4 | 503 806 00 | 2 | | M 12 DIN 970 A3C |
| 5 | 050 012 00 | 4 | | |
| 6 | 501 491 00 | 1 | | M 6 x 12 DIN 912-8.8 A3C |
| 7 | 502 085 00 | 4 | | 8 DIN 128 A3C |
| 8 | 501 480 00 | 2 | | M 8 DIN 934-8 A3C |
| 11 | 015 924 00 | 1 | | 12 V |
| 12 | ----- | - | | |
| 13 | 504 488 00 | 1 | | M 6 x 40 DIN 6912-8.8 A3C |
| 14 | 501 656 00 | 2 | | 6,5 x 14 DIN 6904 A3C |
| 15 | 504 487 00 | 1 | | M 6 x 30 DIN 6912-8.8 A3C |
| 16 | 501 445 00 | 2 | | 6,4 DIN 125-St A3C |
| 20 | 015 583 00 | 1 | | |
| 22 | 501 709 00 | 6 | | 6 DIN 129 A3C |
| 23 | 040 212 10 | 1 | | |
| 26 | 014 403 01 | 1 | | |
| 27 | 501 654 00 | 2 | | M 8 x 16 DIN 912-8.8 A3C |
| 28 | 012 481 22 | 1 | | 12 V |
| 29 | 014 401 00 | 1 | | |
| 30 | 503 808 00 | 2 | | M 6 x 10 DIN 7991-8.8 A3C |
| 31 | 503 737 00 | 1 | | |
| 32 | 503 736 00 | 1 | | |
| 33 | 502 163 00 | 2 | | 5,3 DIN 125-St A3C |
| 34 | 503 357 00 | 2 | | M 5 x 25 DIN 933-8.8 A3C |
| 35 | 504 021 00 | 1 | | |
| 36 | 504 020 00 | 1 | | |
| 37 | 503 584 00 | 4 | | |
| 38 | 014 402 00 | 1 | | |
| 43 | 503 797 00 | 1 | | |
| 44 | 014 394 00 | 1 | | Pos. 35 incl. |
| 58 | 011 934 01 | 1 | | Starter 50 |
| 59 | 015 873 00 | 1 | | Magnetring kpl. |
| 60 | ----- | - | | |
| 61 | 504 469 00 | 14 | | M 4 x 16 DIN 912-8.8 A3C Tuf. |

A 05

Armaturenkasten 12V - 1D90V/W
 Instrument box 12V - 1D90V/W
 Boitiere de bord 12V - 1D90V/W
 Cuadro de mando 12V - 1D90V/W
 Cruscotto 12V - 1D90V/W

Tafel Nr.
 Tabl. No.
 Tavola N.

20



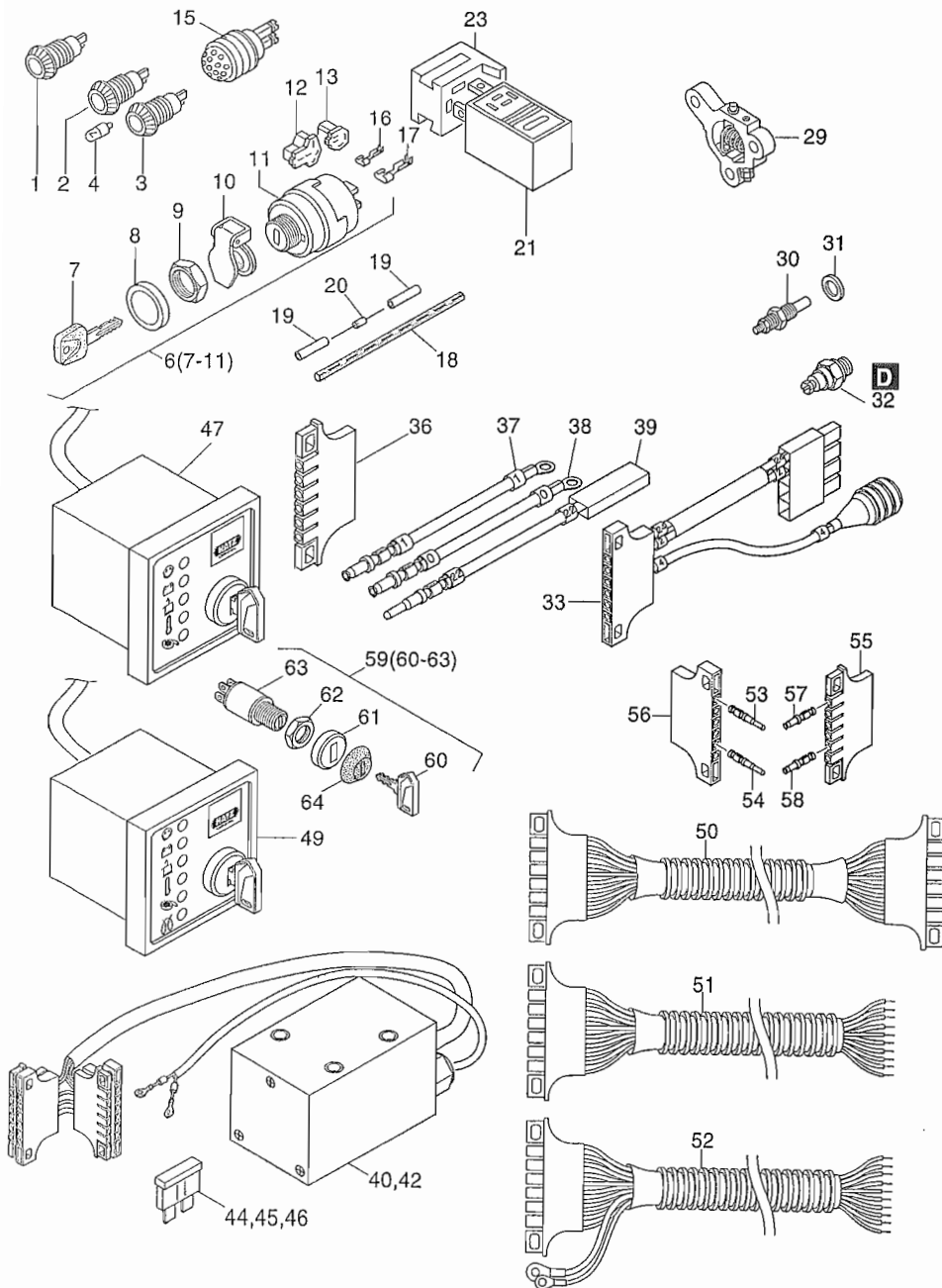
| Fig.-No. | HATZ Ident-No. | Stück Qty. | P / W d / D | Bemerkungen Notes |
|----------|-------------------|---------------|----------------|----------------------|
| 1D90V/W | | | | |
| 1 | 50176500 | 1 | | BATT. |
| 2 | 50176400 | 1 | | TEMP. |
| 3 | 50176600 | 1 | | OIL |
| 4 | 40009700 | 0...3 | | 12 V - 2 W |
| 6 | 50276502 | 1 | | |
| 7 | 50345300 | 1 | | 14603 |
| 8 | ----- | - | | |
| 9 | ----- | - | | |
| 10 | 49050900 | 1 | | |
| 11 | ----- | - | | |
| 12 | 50276700 | 1 | | 6 - P |
| 13 | 50276600 | 1 | | 4 - P |
| 15 | 50397200 | 1 | | 12 - 24 V |
| 16 | 40074700 | 5 | | B 6,3 - 2,5 BZ |
| 17 | 50276800 | 4 | | 9,5 - 6A |
| 18 | 03670000 | 2 | | 4 x 120 mm |
| 19 | 50189200 | 4 | | |
| 20 | 50344400 | 2 | | DIODE |
| 21 | 50275802 | 0...1 | | 12 V HATZ MSR |
| 23 | 50276000 | 1 | | |
| 29 | 01275500 | 1 | | 12 - 24 V |
| 30 | 50268600 | 1 | | TEMP. |
| 31 | 05162400 | 1 | | 10,4 x 14 x 4 |
| 32 | 50272200 | 1 | | OIL |
| 33 | 01403620 | 1 | | |

A 05

Armaturenkasten 12V - 1D90V/W
Instrument box 12V - 1D90V/W
Boitiere de bord 12V - 1D90V/W
Cuadro de mando 12V - 1D90V/W
Cruscotto 12V - 1D90V/W

Tafel Nr.
Tabl. No.
Tavola N.

20



| Fig.-No. | HATZ Ident-No. | Stück Qty. | P / W d / D | Bemerkungen Notes |
|----------|-------------------|---------------|----------------|----------------------|
| 1D90V/W | | | | |
| 36 | 50373700 | 1 | | |
| 37 | 01574300 | 1 | | (1) |
| 38 | 01574401 | 1 | | (0) |
| 39 | 01526800 | 1 | | (22) |
| 40 | 01589300 | 1 | | 12 V Powerbox II |
| 42 | 01591000 | 1 | | 12 V Powerbox III |
| 44 | 50459300 | 1 | | 10 A |
| 45 | 50430700 | 1 | | 30 A |
| 46 | 50433000 | 2 | | 40 A |
| 47 | 01551802 | 1 | | 12 V, A 1 |
| 49 | 01558901 | 1 | | 12 V / 24 V, A 2 |
| 50 | 01611200 | 1 | | K 1 - 2 m |
| 51 | 01549801 | 1 | | K 2 - 2 m |
| 52 | 01192710 | 1 | | K 3 - 2 m |
| 53 | 50374300 | 1 | | 2,5 - 4,0 |
| 54 | 50374100 | 5 | | 0,5 - 1,0 |
| 55 | 50373700 | 1 | | |
| 56 | 50373600 | 1 | | |
| 57 | 50373800 | 5 | | 0,5 - 1,0 |
| 58 | 50373900 | 1 | | 1,5 - 2,5 |
| 59 | 50384401 | 1 | | |
| 60 | 50404900 | 1 | | 14644 |
| 61 | ----- | - | | |
| 62 | ----- | - | | |
| 63 | ----- | - | | |
| 64 | 05126402 | 1 | | |

A 09

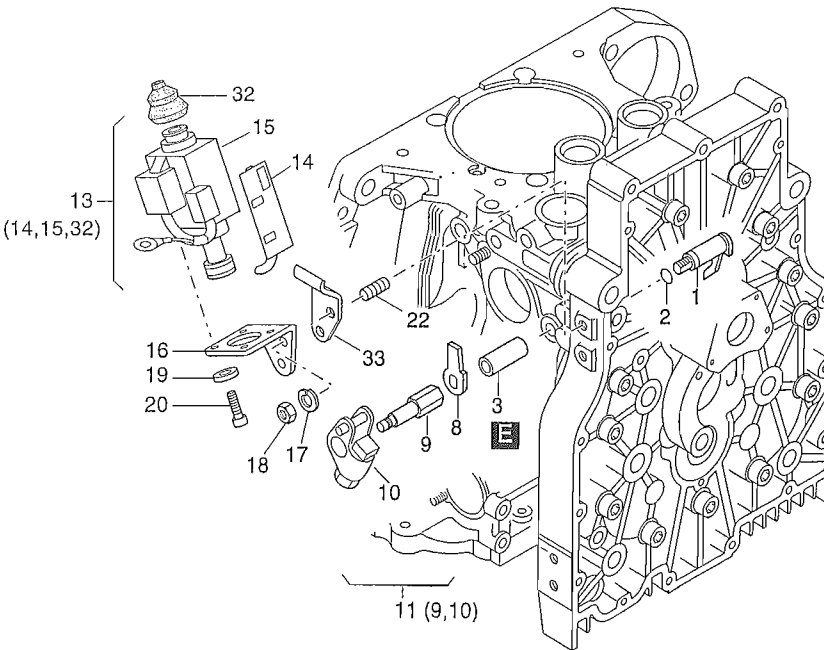
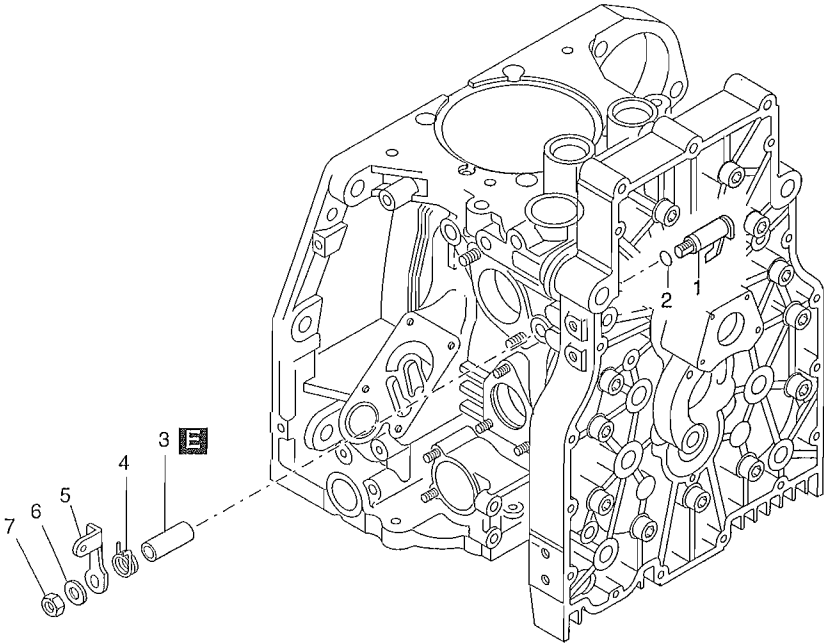
Abstellvorrichtung
Stop device
Dispositiv d'arret
Dispos. desconectad
Leva stopi

A 11

Hubmagnet
Lifting magnet
Electro aimont
Elevador megn.
Magneete stop

Tafel Nr.
Tabl. No.
Tavola N.

21



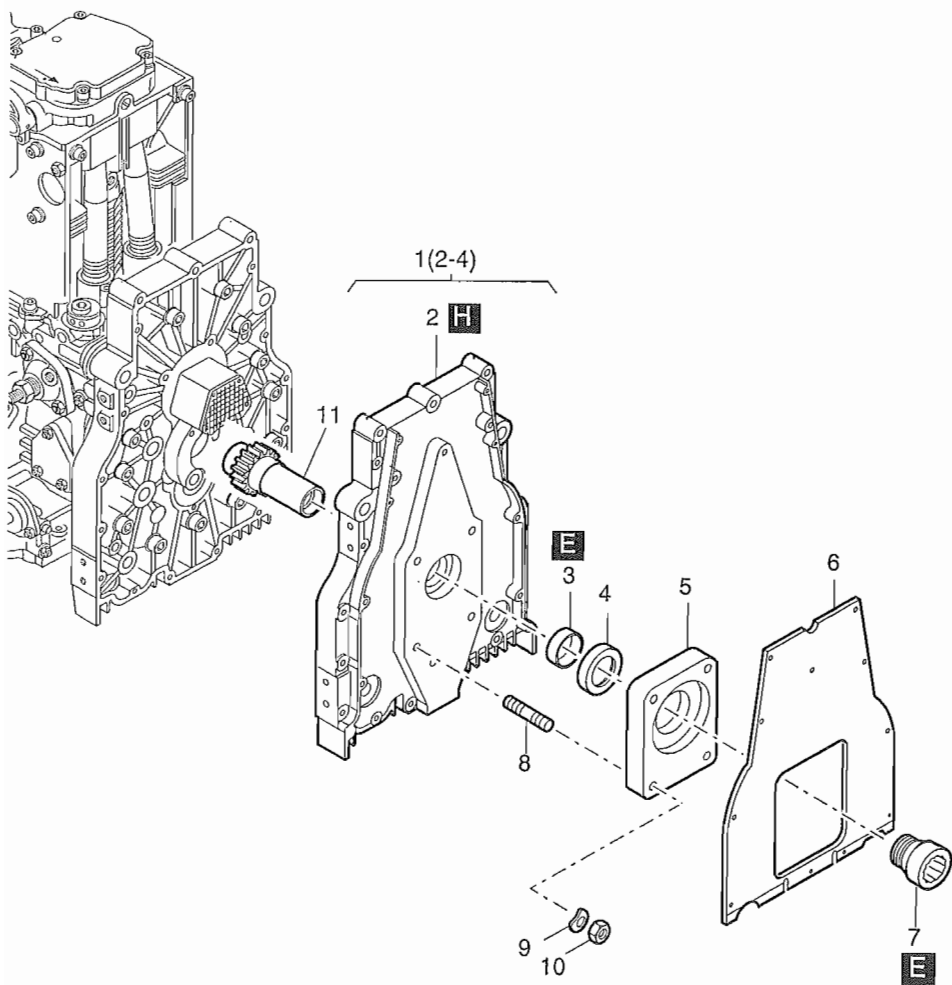
| Fig.-No. | HATZ Ident-No. | Stück Qty. | P / W d / D | Bemerkungen Notes |
|----------|-------------------|---------------|----------------|------------------------------|
| 1D90V/W | | | | |
| 1 | 012 546 03 | 1 | | |
| 2 | 503 433 00 | 1 | | 4,6 x 1,85 |
| 3 | 040 214 00 | 1 | | |
| 4 | 040 218 00 | 1 | | |
| 5 | 040 217 00 | 1 | | |
| 6 | 501 445 00 | 1 | | 6,4 DIN 125-St A3C |
| 7 | 503 283 00 | 1 | | VM 6 DIN 980-8 A3C |
| 8 | 052 092 00 | 1 | | |
| 9 | ----- | - | | |
| 10 | 014 931 10 | 1 | | |
| 11 | 015 153 00 | 1 | | |
| 12 | ----- | - | | |
| 13 | 015 155 00 | 1 | | 12 V |
| 14 | 050 584 00 | 1 | | |
| 15 | ----- | - | | |
| 16 | 050 235 01 | 1 | | |
| 17 | 501 709 00 | 2 | | 6 DIN 128 A3C |
| 18 | 501 444 00 | 2 | | M 6 DIN 934-8 A3C |
| 19 | 502 163 00 | 3 | | 5,3 DIN 125-St A3C |
| 20 | 501 126 00 | 4 | | M 5 x 10 DIN 6912-8.8 A3C |
| 22 | 503 668 00 | 2 | | M 6 x 12 DIN 835-8.8 A3C |
| 32 | 502 489 00 | 1 | | |
| 33 | 052 057 00 | 1 | | |

A 18

Anbauteile Hydraulikpumpe
Mount. parts hydr. pump
Pièces mont.-pompe hydr.
Piezas mont. bomba hidr.
Particorari per montaggio pompa idraulica

Tafel Nr.
Tabl. No.
Tavola N.

22



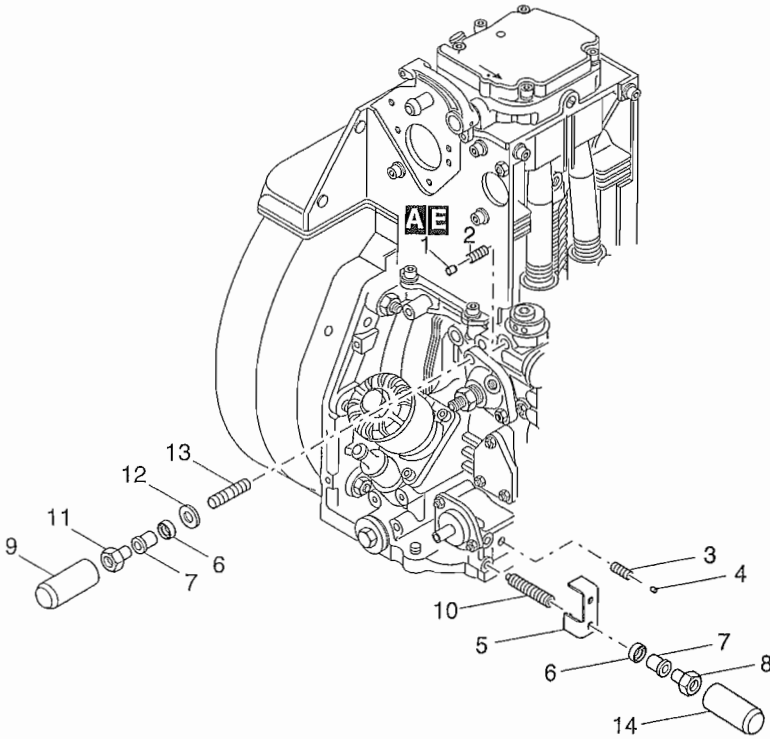
| Fig.-No. | HATZ Ident-No. | Stück Qty. | P / W d / D | Bemerkungen Notes |
|----------|-------------------|---------------|----------------|--------------------------------|
| 1D90V/W | | | | |
| 1 | 016 248 00 | 1 | | |
| 2 | ----- | - | | |
| 3 | 040 232 10 | 1 | | |
| 4 | 503 647 00 | 1 | D1 | 32 x 52 x 7 |
| 5 | 041 421 00 | 1 | | |
| 6 | 041 405 00 | 1 | | |
| 7 | 041 869 00 | 1 | | |
| 8 | 502 792 00 | 4 | | M 8 x 40 DIN 835-8.8 A3C |
| 9 | 500 951 00 | 4 | | A 8 DIN 137 A3C |
| 10 | 501 480 00 | 4 | | M 8 DIN 934-8 A3C |
| 11 | 041 873 00 | 1 | | |

A 90

Motorausrüstung EPA
Spec. equipment EPA
Equipm. spec. EPA
Equipo espec. EPA
Kit trasformazione EPA

Tafel Nr.
Tabl. No.
Tavola N.

23



| Fig.-No. | HATZ Ident-No. | Stück Qty. | P / W d / D | Bemerkungen Notes |
|----------|-------------------|---------------|----------------|--------------------------|
| 1D90V/W | | | | |
| 1 | 041 670 10 | 1 | | 6,9 |
| 2 | 500 046 00 | 1 | | AM 8 x 16 DIN 916-45H |
| 3 | 504 035 00 | 1 | | M 8 x 20 DIN 914-45H |
| 4 | 041 537 00 | 1 | | 4,15 |
| 5 | 041 538 00 | 1 | | |
| 6 | 041 342 00 | 2 | | |
| 7 | 041 297 00 | 2 | | |
| 8 | 041 267 00 | 1 | | M 6 |
| 9 | 041 270 00 | 1 | | |
| 10 | 505 078 00 | 2 | | M 6 x 45 |
| 11 | 041 268 00 | 1 | | M 8 |
| 12 | 037 888 00 | 1 | | 8,4 x 15 x 2 |
| 13 | 500 384 00 | 1 | | M 8 x 35 DIN 835-8.8 A3C |
| 14 | 041 877 00 | 1 | | |

Serien-Nr.-Änderungen
Serial-code modification list
Modification des Nos de serien
Modificación de los Nos de serie
Modifica dei codici

IMT-No.

| | | |
|-------------|-------------|--------|
| 1D90 V/W.10 | 1D90 V/W.11 | 00.603 |
| 1D90 V/W.11 | 1D90 V/W.12 | 00.599 |
| 1D90 V/W.12 | 1D90 V/W.13 | 00.600 |

