

MOTORENFABRIK
HATZ KG
RUHSTORF/ROTT

Telephone: (08531) 322-326
Telex: 05 7260



SPARE PARTS LIST

for

HATZ-Diesel engines
aircooled

Engine types

| | | |
|----------------|----------------|----------------|
| E 80 G | E 85 G | E 89 G |
| E 80 FG | E 85 FG | E 89 FG |

Spare parts list

8399 Ruhstorf · Rott Railway station: Ruhstorf
Postfach 12/13 Cables: Hatzmotor Ruhstorfadrott

**MOTORENFABRIK
HATZ KG
RUHSTORF/ROTT**

**Telephone: (085 31) 322-326
Telex: 05 7260**



SPARE PARTS LIST

for

HATZ-Diesel engines

aircooled

Engine types

E 80 G

E 85 G

E 89 G

E 80 FG

E 85 FG

E 89 FG

**8399 Ruhstorf · Rott
Postfach 12/13**

Railway station: Ruhstorf

Cables: Hatzmotor Ruhstorfadrott

HATZ-Service

Europe



BELGIUM - BELGIQUE - BELGIO - BELGICA

Waremme

* Import Moës S.P.R.L.
Chaussée Romaine
B. 4370 Waremme

Tel.: (019) 324.96
Cables: Impormoes
Waremme

DENMARK - DANEMARK - DANIMARKA - DINAMARCA

Taastrup

* Dank Wimex A/S
Kogevej 32
DK 2630 Taastrup

Tel.: (01) 99 60 66
Cables: Wimexdan

GREAT BRITAIN - ANGLETERRE - INGILTERRA - INGLATIERRA

Earl Shilton

* HATZ Concessionaires L.T.D.
49 Church-Street
Earl Shilton - Leicester LE9-7 EN

Tel.: (0455) 43645
Telex: 34 1301

FINLAND - FINLANDE - FINNLANDIA - FINLANDIA

Helsinki

* Hanke Oy
Levytie 4
SF 00810 Helsinki 81

Tel.: 780 633
Telex: 12-1333
Cables: Hanke Sf.
Helsinki

FRANCE - FRANCE - FRANCIA - FRANCIA

Aulnay-sous-Bois

** Société Hatz-France
9-13, rue Henri Becquerel
Zone Industrielle
93 - Aulnay-sous-Bois

929.58.46
Telex: 60 007

GREECE - GRECE - GRECIA - GRECIA

Thessaloniki

* Apostolidis & Co. AG
Maschinenfabrik u. Gießerei
Kleindieselmotorenfertigung
Industrial Area Sindos
Thessaloniki

Tel.: 98211/13/15

ICELAND - ISLAND - ISLAND - ISLANDIA

Reykjavik

* Landssmidjan
Purchasing Department
Reykjavik

Tel.: 20680 (10 Lines)
Cables:
Landssmidjan

ITALY - ITALIE - ITALIA - ITALIA

Milano

* Loro & Parisini
Via Savona 129
Milano

Tel.: 470.1.1-470.134
(15 Linee)
Magutt-Milano
Telex: 32 407

LUXEMBURG - LUXEMBOURG - LUSSEMBURGO - LUSEMBURGO

Waremme/Belgien

* Import Moës S.P.R.L.
Chaussée Romaine
Waremme

Tel.: (019)324.96
Cables: Impormoes
Waremme

NETHERLANDS - PAYS-BAS - OLANDA - PAISES BAJOS

Culemborg

**Hatz Nederland B.V.
Postbus 55
Anthonie van Diemenstraat 38
Culemborg

Tel.: (03450) 4147
Telex: 0044/47787

NORWAY - NORVEGE - NORVEGIA - NORVEGA

Oslo

* Larsen & Valebrokk A/S
Postboks 250
Kjelsåsveien 174
Oslo 8

Tel.: (02) 236180
Cables: Nortrade

PORTUGAL - PORTUGAL - PORTOGALLO - PORTUGAL

Porto

* Ed. Ferreira & Irmao, Lda.
Rua da Boa Nova 125/163
Caixa postal 44,
Porto

Tel.: 25571/2
Cables: Edfir-Porto
Telex: 2322

SWEDEN - SWEDE - SVEZIA - SUECA

**Stockholm-
Bandhagen**

* T. Lindstam A. B.
Harpundsvägen 201
Postbox 31
S 12421 Bandhagen 1

Tel. 08/472575
Telex: 0054/11164
ü/olsonwright
stockholm

* Representation
** Factory branch

SWITZERLAND - SUISSE - SVIZZERA - SUIZA

Altendorf

* **Motorenfabrik Hatz AG
CH - 8852 Altendorf

Tel.: 055 / 632383

632384

Telex: 75706

SPAIN - ESPAGNE - SPAGNA - ESPANA

Figueras (Gerona)

* Soci t  Industrials FITA
San Lazaro 54
Figueras (Gerona)

Tel. 241 300

TURKEY - TURQUIE - TURCHIA - TURCUIA

**Gaziosmanpasa-
Istanbul**

* Pancar-Motor
Sanayi ve Ticaret T.A.S.
Yassiviran Asfalti  zerinde
Gaziosmanpasa-Istanbul

Tel.: 212139

Telegr.: Pancarmotor

Due to space reasons this list is not complete.

Please request our „HATZ all over the world” brochure.

This brochure includes 370 HATZ Service stations spread all over the world.

Africa

ÄTHIOPIEN - ETHIOPIA - ETHIOPIE - ETIOPIA - ETIOPA

Addis Ababa

* Leon's Mercantile
Leon K. Erzingatzian
Abuna Petros Street
P. O. B. 249
Addis Ababa

Tel.:
114553-111765-112501
Workshop: 116836
Telex: 21191 Addis
Cabl.: Lerzingatzia
Addis Ababa

ALGERIEN - ALGERIA - ALGERIE - ALGERIA - ARGELIA

Alger

* Sté. Deselec
Rue Kaddeur Rahim
Hussein-Dey,
Alger

77.26.47/77.29.59
Deselec-Alger
Deselec
Route de Chebli
Baba Ali
Alger
81.74.63

ANGOLA - ANGOLA - ANGOLA - ANGOLA - ANGOL

Luanda

* Sotecma-Sociedade (Técnica)
A. Cardoso de Matos Lda.
Rua Cuarte Pacheco Pereira, 24
Luanda

PBX 4101 / 4102
Sotecma luanda

ELFENBEINKÜSTE - IVORY COAST - COTE-D'IVOIRE - COSTA-D'AVORIO COSTA DE MARFIL

Abidjan

* Sté. A B I
P. B. 343
Abidjan

35 64 60
35 53 60

GABON - GABUN - GABON - GABON

Libreville

SO. GA. TOL
B. P. 706
Libreville

Tel.: 34-77
telex: 5259 GAB

GUINEA - GUINEA - GUINEE

Dakar

Ets. Freysseline & Fils
B. P. No. 1143
Rond- Point Autoroute-
Lamine Gueye
Dakar

Tel.: 369-99
Cables:
Freysseline Dakar
Telex: 419

KAMERUN - CAMERUN - CAMEROUN - CAMEROUN - CAMERUN**Douala**

* Sté. Socomi
Boite Postale 609
Douala

42-35-40 à Douala
Somatin Douala
Telex: 5272 Douala

KANARISCHE INSELN - CANARI ISLANDS - ILES CANARIES - ISOLE CANARIE - ISLAS LAS CANARIAS**Las Palmas**

* Enrique Siemens
Sucésor L. Siemens
Calle / Buenos Aires 7-11
Las Palmas de Gran Canaria
Postfach 259

220411 - 215473
Telex: 95149 ENSIE E
Cable:
Siemens-Las Palmas

KENIA

Wigglesworth & Co Kenia Ltd.
P. O. Box 30092
Kingston Rd.
Nairobi Industria Area
Nairobi

Tel.: Nairobi 57022/32
Telex: Nairobi 22 241
Cable: PETTINATO
NAIROBI

LIBYEN - LIBYA - LIBYE - LIBIA - LIBIA**Benghazi**

Moh. Feitury Organisation
P. O. Box 3010 / 279
Benghazi

Tel.: 5404
Cable:
Feitury Co
Benghazi

MALI

Ets. Freysseline & Fils
B. P. No. 1143
Rond- Point Autoroute
Lamine Gueye
Freysseline Dakar

Tel.: 369-99
Cables:
Freysseline Dakar
Telex: 419

MAROKKO - MAROC - MAROCCO - MARRUECOS - MARUECO**Casablanca**

* Somatel
68, rue Mohammed Diouri
Casablanca

608-41
cable:
Somatel-Casablanca
Telex: 21835

MAURETANIEN

Ets. Freysseline & Fils
B. P. No. 1143
Rond- Point Autoroute-
Lamine Gueye
Dakar

Tel.: 369-99
Cables:
Freysseline Dakar
Telex: 419
Freysseline SG

MOCAMBIQUE - MOCAMBIQUE - MOZAMBIQUE - MOZAMBICO - MOZAMBIQUE**Lourenco Marques**

* Soc. Africana de SAFRIMEX
Importacao e Exportacao, Lda.
Caixa postal 1859,
Lourenco Marques

5156
Safrimex L. M.

NIGERIA**Lagos**

U.A.C. of Nigeria LTD
M. & E. DIVISION
P. M. BAG 1015
Ebute Metta
Lagos / Nigeria

Tel.: Lagos 43310
Telegr.:
Mequip/Lagos

RODESIEN**Salisbury**

Engine Spares & Accessories
(PVT) Ltd.
Sara House
Hatfield Road
Salisbury

Tel.: 661036
cable:
MOTORMIKE

SAO TOME - SAO TOME - SAO TOME - SAO TOME - SAO TOME**Sao Tome**

* L. Batista
Caixa Postal 76
Sao Tome

**SÜDAFRIKA - SOUTH AFRICA - AFRIQUE DU SUD-AFRICA - AFRICA -
AFRICA DEL SUR****Johannesburg**

**HATZ Diesels
South Africa (Pty.) Ltd.
Midmacor House
Cor.-Cross & Bosman Streets
Ophirton
P. O. B. 6036
Johannesburg

Tel.: 836-0721/8
Telegr.: Midcor
Telex: J 7628

* Representation

** Factory branch

**SÜD-WEST-AFRIKA - SOUTH WEST AFRICA - SUD-WEST-AFRICA -
AFRICA DEL SUR ESTE**

Windhoek

* South West Engineering
Company (Pty.) Ltd.
186, Jan Jonkerweg,
Ausspannplatz
P. O. B. 5052
Windhoek

Tel.: 22463
Telex: 48-707
Telegr.: Swenco

TUNESIEN - TUNESIA - TUNESIE - TUNESIA - TUNEZ

Tunis

* Sté. SO TU MO S.A.
Société Tunisienne des Moteurs
2, rue Charles-de-Gaulle
Tunis

Tel.: 245 519 u.
249 995

REPUBLIQUE DU ZAIRE

Kinshasa 1

Bureau Technique
BIA S.P.R.L.
B. P. 8843
Route Trafic-Lourd-Limete
Kinshasa 1

Tel.: 77797-98
cable:
BIA-Kinshasa
Telex: 275 BIA-KIN

UGANDA

Kampala

Wigglesworth & Co Uganda Ltd.
P. O. Box 7127
Plot 71 Seveuth Street
Kampala

Tel.: Kampala 42628
Telegr.: PETTINATO
KAMPALA

**ZENTRAL-AFRIKANISCHE REPUBLIK - CENTRAL AFRICAN REPUBLIC -
REPUBLIQUE CENTRE-AFRIQUE (R.C.A.) - REPUBLICA CENTRALE AFRICA -
REPUBLICA CENTRAL DEL AFRICA**

Bangui

* Oubangui-Automobile
B. P. 1379
Bangui

télex:
Banguioto 5230
Adr. télégraphique:
Banguiauto-Bangui

HATZ-Service



America

BOLIVIEN - BOLIVIA - BOLIVIE - BOLIVIA - BOLIVIA

La Paz

* Importadora Zbinden y Cia. S. A.
Calle Jenaro Sanjines No. 348
La Paz

2-3225

BRASILIEN - BRAZIL - BRESIL - BRASILIE - BRASIL

Caxias do Sul-RGS

* Agrale S. A.
Tratores e Motores
Rua Sinimbu, 1260
Caixa postal, 1311
95.100 Caxias do Sul-RGS

213500

telegr.: Agrale
telex: Publico 28892

CANADA - CANADA - CANADA - CANADA - CANADA -

Alberta

Mumford Medland Ltd.
5711 6th Street, S.E.
Calgary,

Mumford Medland Ltd.
10809 - 105th Avenue
Edmonton

British Columbia

Pacific Engines & Equipment Ltd.
1391 William Street
Vancouver 3 B. C. Canada
V 5 L 2 P 6

Tel.: 683-4484
Telex: 04-54463

Manitoba

Mumford Medland Ltd.
576 Wall Street
Winnipeg 10

New Brunswick

Consolidated Engines &
Machinery Co. Ltd.
P. O. Box 848
Moncton

Newfoundland

Seaboard GM Diesel Ltd.
710 Windmill Road
Dartmouth, Nova Scotia

| | | |
|---------------------------|--|----------------------------------|
| Ontario | Ontario Diesel Ltd. Box 115 80 Federal Road Welland | Tel.: 735/0282 Telex: 21-5152 |
| Prince Edwards Is. | Consolidated Engines & Machinery Co. Ltd. P. O. Box 848 Moncton, New Brunswick | |
| Quebec | Consolidated Engines & Machinery Co. Ltd. 8550 Delmeade Road, Town of Mount Royal Montreal 9 | |
| Saskatchewan | Mumford Medland Ltd. 1250 St. John Street Regina Mumford Medland Ltd. 1729 Ontario Avenue Box 1525 Saskatoon | |

COLUMBIEN - COLUMBIA - COLUMBIE - COLUMBIA - COLUMBIA

| | | |
|---------------------|--|------------------------|
| Barranquilla | * General Sales Corporation, Ltda. Calle 37 No. 46-03 Airmail Box 395, P. O. Box 519 | 12-501 cable: Maeco |
|---------------------|--|------------------------|

COSTA RICA - COSTA RICA - COSTA RICA - COSTA RICA - COSTA RICA

| | | |
|-----------------|---|---|
| San Jose | * Electro Mercantil Ltda. Apartado 10.091 San Jose, C. A. | 216788 - 216794 Elmerc Sanjose Costa Rica Telex: 222 |
|-----------------|---|---|

ECUADOR - ECUADOR - EQUATEUR - ECUADOR - ECUADOR

| | | |
|------------------|--|---|
| Guayaquil | * Cia. Comercial Pan-Americana C. A. General Cordova No. 918-922 Apartado 4964 Guayaquil | 130 89 Cable: Panamericana Guayaquil |
|------------------|--|---|

**EL SALVADOR - EL SALVADOR - EL SALVADOR - EL SALVADOR -
EL SALVADOR**

San Salvador

* TEMSA
Tecnico Mercantil, S. A.
Calle Ruben Dario y 9a Av. sur
Apartado 1201
San Salvator

Tel.: 21-9114
Telegr.: temsa

GUATEMALA - GUATEMALA - GUATEMALA - GUATEMALA - GUATEMALA

**Ciudad de
Guatemala**

* TEMSA
Tecnico Mercantil, S. A.
8 Avenida 15-17 Zona 1
Guatemala City
Rep. Guatemala
Central America

Tel.: 21418
Telegr.: Tamerca

GUAYANA - GUAYANA - GUAYANA - GUAYANA - GUAYANA

Georgetown

* Wieting & Richter, Ltd.
P. O. V. 473
Waterstreet
Georgetown

HONDURAS - HONDURAS - HONDURAS - HONDURAS - HONDURAS

San Pedro Sula

* Cia. Comercial Curacao
de Honduras S. A.
Apartado 62
San Pedro Sula

JAMAICA - JAMAICA - JAMAICA - JAMAICA - JAMAICA

Kingston

* Antilles Trading Co. Ltd.
2, Ashenheim Rd.
P. O. B. 70
Kingston 11, W. I.

Tel.: 3911
Antraco

MEXICO - MEXICO - MEXIQUE - MESSICO - MEXICO

Mexico 1.D.F.

Motores de Combustion
Interna Wisconsin S.A.
Ave. Juarez No. 157

PERU - PERU - PEROU - PERU - PERU

Lima

* EUROPA DIESEL S.A.
Apartado (P.O.B.) 1568
Lima - 1/Peru

Tel.: 453230
Telegr.:
EUDISA - LIMA

**PUERTO RICO - PUERTO RICO - PUERTO RICO - PUERTO RICO -
PUERTO RICO**

San Juan

Motorcentro Destero Inc.
G.P.O. 3707
San Juan

Tel.: 725-7513

**SURINAM - SURINAM - SURINAME - GUAYANA HOLANDESA -
GUAYANA HOLANDESA**

Paramaribo

* Curacaosche
Handel-Maatschappij
(Suriname) N.V.
Postbus 1819
Paramaribo

Tel.: 4343
curtrading
paramaribo/suriname

USA - USA - USA - USA - USA

Wisconsin

* Teledyne Wisconsin Motor
1910 South 53 rd Street
Milwaukee, Wisconsin 53246

Tel.: 414-384-5800
Telex: 26629

VENEZUELA - VENEZUELA - VENEZUELA - VENEZUELA - VENEZUELA

Caracas

* M. P. O.
Maquinarias Para Obras S. A.
Apartado 51.237
Sabana Grande
Caracas 106

Tel.: 493028
Telegr.:
Bevrel Caracas

HATZ-Service

**HATZ**

Asia

CYPERN - CYPRUS - CHYPRE - CIPRO - CHIPRE

Nicosia

* Chr. Mavromatis & Sons Limited
55 Aeschylus Street
P. O. Box 1683
Nicosia

Tel.: 63685, 65468
telex: 2363
Cable: Promitheus
Nicosia

INDONESIEN - INDONESIA - INDONESIE - INONESIA - INDONESIE

Djakarta

* Heinrich Petersen & Co.
Representing Office Djakarta
Tromol Pos. 208
Djl. Tandjung Nr. 2a
Djakarta

Tel.: 47860
Telex: 011 - 4367

IRAN - IRAN - IRAN - IRAN - IRAN

Teheran

* Shoreh Trading Co. Ltd.
188 Eisenhower Avenue
Eskandari Cross Road
P. O. Box 2290
Teheran - 13

Telegr.:
Polkar Teheran
Telex: 2763
Tel.: 950379
950389
959120

ISRAEL - ISRAEL - ISRAEL - ISRAELE - ISRAEL

Tel-Aviv

* Turnheim & Sons, Ltd.
Engineering Office
12, Lincoln Street
P. O. Box 20008
Tel-Aviv

624708
613052
Cable: Technokrat
Tel-Aviv - Yaffo
Telex: 33771

JAPAN - JAPAN - JAPON - JAPONE - JAPON

Tokio

* Western Trading Co. Ltd.
4-6 Roppongi
2 - Chome
Minato - Ku
Tokio

(583) 2111
Telex: Westraj
0242 - 2422
Cable: Westra

KUWAIT

Kuwait

* Sabah International
Merchant,
Import & Manufacturer's
Representative
P. O. Box 1026
Kuwait / Arabia Gulf

Tel.: 424502
Telegr.: Starfish

LIBANON - LEBANON - LIBAN - LIBANO - LIBANO**Beirut**

* Itani & Shihab Trading Co.
 Patriarche Hoeyk Street
 Khan - Antoun Bey
 Beirut
 P. O. Box 4537

249432 - 294632
 Istraco - Beirut

MALAYSIA**Kuala Lumpur**

F. E. Zuellig (M) Sdn. Bhd.
 P. O. Box 251
 Kuala Lumpur

Tel.: 52385-7

PAKISTAN - PAKISTAN - PAKISTAN - PAKISTAN - PAKISTAN**Hyderabad**

* Sind Engineering Venture Ltd.
 Hanger No. 1
 S.I.T.E. Kali Road
 P. O. Box 151
 Hyderabad (Sind) Pakistan

Tel.: 25310
 Telg.: HAIDINCO

PHILIPPINEN - PHILIPPINES - PHILIPPINES - FILIPPINE - FILIPINAS**Manila**

* Schmid and Oberly, Inc.
 P. O. Box 1916
 39 Buenida Avenue
 Makati, Rizal
 Manila

Tel.: 80-54-94
 Cable: Sando
 Telex: 74 25278

SAUDI ARABIA**Beirut/Lebanon**

Gandra International
 Middle East Office
 P. O. Box 1652
 Beirut/Lebanon

telephone: 231792
 251314, 232839
 cable:
 Gandra-Beirut

SÜD VIETNAM**Saigon**

* Messrs. Vinimac S. A.
 747 (2nd Floor)
 Tran Hung Dao
 Saigon

TAIWAN**Taipei**

Hung-Yeh Trading Corporation
Chung Ho Hsiang
728 Chung Shan Road
Taipei-Hsien
Taiwan-Rep. of China

Tel.: 960140-5
962141-5
965141-5
(15 wires)
cable: CHEM
telex: 31102 CHEM

THAILAND - THAILAND - THAILANDE - THAILANDIA - THAILANDIA**Bangkok**

* Ekman & Co. L.T.D.
561/1 Soi (Soi SWASDEE)
SUKHUMVIT Road
P. O. Box 11-161
Bangkok/Thailand

Telex: BK 2753
Telegr.:
Ekmans Bangkok

YEMEN ARAB REPUBLIC**Beirut/Lebanon**

Gandra International
Middle East Office
P. O. Box 1652
Gandour Bldg., Chouran Street
Beirut/Lebanon

telephone: 23792,
251314, 232839
cable:
Gandra-Beirut

HATZ-Service

Australie



AUSTRALIEN - AUSTRALIA - AUSTRALIE - AUSTRALIA - AUSTRALIA

Victoria

* Norton Villiers Australia
Pty. Ltd.,
P. O. Box 237
Ballarat Victoria 3350
Australien

Tel.: 39 1111
telegr.
NORSTROKE,
Ballarat

NEU-KALEDONIEN - NEW CALEDONIA - NOUVELLE-CALEDONIE - NUOVA-CALEDONIA - NUEVO CALEDONIA

Nouméa

* A B C - Import
Ste. Minier-Mouledous & Cie
28 Rue de Verdun
Nouméa
Nouvelle-Calédonie
Pacifique Sud

Tel.: 720-49
cable: ABC-Nouméa

TAHITI - TAHITI - TAHITI - TAHITI - TAHITI

Papeete

* Société d' Oxygène
et d' Acétylène
d' Extrême - Orient
B. P. 632
Papeete - Tahiti

Tel.: 2.74.06

NEU SEELAND

Wellington

Dis Industries Limited
42 Kent Terrace
P. O. B. 2280
Wellington 1

Tel.: 557-957
cable: DISL
Wellington 1
New-Zeeland

HATZ

builds

- ▶ single-cylinder**
- ▶ two-cylinder**
- ▶ three-cylinder**
- ▶ four-cylinder**

Diesel engines

aircooled fourstroke

from 1,5 to 80 HP

When ordering spare parts

Please always indicate:

1. Engine number
2. part/order-no.
3. Designation
4. Quantity

For example: **For engine no. 11 X 955287**
00302401 lever for governor spring 1 piece

5. Exact address, mentioning railway station
6. Please do not prescribe: "as quick as possible" or "immediately", but "per parcel post", "express", "airmail", or "freight" and "express-freight", etc.
7. In case there is no mode of dispatch indicated, we shall not choose the quickest, but the cheapest one.



Original spare parts

**guarantee troublefree repair and operation
as well as long engine life !**

Exact orders will avoid misunderstanding !
In doubtful cases send us the damaged part !
In guarantee cases, please send us the damaged part !

Guarantee covers cost of damaged parts only.

Repairs will be charged as low as possible.

Price quotations without obligation will be supplied on request.

Repairs and part deliveries only against „cash on delivery“.

In general our normal sales- and delivery terms are applicable.

Ruhstorf/Rott, Okt. st, 1973

Quote when ordered

Qty. for engine type

| Table No. | Item No. | Part-/Ordering No. | DESIGNATION | Qty. for engine type | | |
|-----------|----------|--------------------|---|----------------------|------|------|
| | | | | E 80 | E 85 | E 89 |
| | | 00326700 | GASKET SET. | 1 | - | - |
| | | 00326800 | GASKET SET CYL.HEAD | 1 | - | - |
| | | 00331200 | GASKET SET. | - | 1 | - |
| | | 00331300 | GASKET SET CYL.HEAD | - | 1 | - |
| | | 00333300 | GASKET SET. | - | - | 1 |
| | | 00333400 | GASKET SET CYL.HEAD | - | - | 1 |
| | | | CRANKCASE ===== | | | |
| 1 | 1 | 00339202 | CRANKCASE WITH ITEM NO.3-4,7-8. . . | 1 | 1 | - |
| 1 | 1 | 00333602 | CRANKCASE WITH ITEM NO.3-4,7-8. . . | - | - | 1 |
| 1 | 3 | 03025802 | RING FOR OIL OVERFLOW | 1 | 1 | 1 |
| 1 | 4 | 50043600 | CLOS.SCREW M 10X1 | 2 | 2 | 2 |
| 1 | 7 | 50036700 | PIN 6X22. | 2 | 2 | 2 |
| 1 | 8 | 50037300 | STUD M 8X18 | 11 | 11 | 11 |
| 1 | 8A | 03229201 | CAP SCREW R 3/4 | 1 | 1 | 1 |
| 1 | 10 | 00302401 | LEVER F.GOVERNOR SPRING | 1 | 1 | 1 |
| 1 | 13 | 03146200 | FRICTION DISC | 1 | 1 | 1 |
| 1 | 14 | 03023601 | HANDLEVER | 1 | 1 | 1 |
| 1 | 15 | 50010600 | FITTING KEY A 4X4X14. | 1 | 1 | 1 |
| 1 | 16 | 50016900 | DISC 10,5 | 1 | 1 | 1 |
| 1 | 17 | 50023800 | HEXAGON NUT BM 10 | 2 | 2 | 2 |
| 1 | 18 | 03146001 | GOVERNOR SPRING 3,7 N=1500-2750 . . | 1 | 1 | 1 |
| 1 | 19 | 03145900 | GOVERNOR SPRING 3,5 (ONLY WITH GENERATOR N=1500) | 1 | 1 | 1 |
| 1 | 20 | 00333700 | GOVERNOR LEVER | 1 | 1 | 1 |
| 1 | 23 | 03021400 | PIN F.GOVERNOR LEVER | 1 | 1 | 1 |
| 1 | 24 | 50025600 | HEXAGON SCREW BM 6X12 | 1 | 1 | 1 |
| 1 | 25 | 50026200 | HEXAGON SCREW BM 6X30 | 1 | 1 | 1 |
| 1 | 26 | 03133200 | DISC | 1 | 1 | 1 |
| 1 | 27 | 50036100 | PIN 2X22. | 1 | 1 | 1 |
| 1 | 28 | 03022200 | ECCENTRIC | 1 | 1 | 1 |
| 1 | 29 | 50040700 | STUD M 10X30. | 1 | 1 | 1 |
| 1 | 30 | 50023800 | HEXAGON NUT BM 10 | 2 | 2 | 2 |
| 1 | 31 | 03156700 | THREADED BOLT | 1 | 1 | 1 |
| 1 | 31A | 50023200 | HEXAGON NUT AM 8. | 1 | 1 | 1 |
| 1 | 32 | 03155901 | COVER SMALL | 1 | 1 | 1 |
| 1 | 33 | 03156000 | GASKET FOR COVER. | 1 | 1 | 1 |
| 1 | 36 | 03021601 | COVER BIG | 1 | 1 | 1 |
| 1 | 37 | 03146100 | GASKET FOR COVER. | 1 | 1 | 1 |

Quote when ordered

Qty. for engine type

| Table No. | Item No. | Part-/Ordering No. | DESIGNATION | Qty. for engine type | | |
|-----------|----------|--------------------|---|----------------------|------|------|
| | | | | E 80 | E 85 | E 89 |
| 1 | 38 | 50026700 | HEXAGON SCREW M 8X15. | 4 | 4 | 4 |
| 1 | 38A | 50027000 | HEXAGON SCREW M 8X25. | 3 | 3 | 3 |
| 1 | 39 | 00442500 | DIPSTICK W.ITEM NO.41 | 1 | 1 | 1 |
| 1 | 41 | 40022400 | WASHER. | 1 | 1 | 1 |
| | | | FULL LOAD LIMIT WITH START FILLING ===== | | | |
| | | 00441601 | EXTRA FUEL DEVICE | 1 | 1 | 1 |
| | | 00335301 | ECCENTRIC SHAFT WITH ITEM NO.42-45. | 1 | 1 | 1 |
| 1 | 46 | 03036000 | THREADED BUSH | 1 | 1 | 1 |
| 1 | 47 | 50024000 | HEXAGON NUT M 12. | 1 | 1 | 1 |
| 1 | 48 | 03160200 | PRESSURE SPRING | 1 | 1 | 1 |
| 1 | 49 | 03039801 | DRAW BUTTON | 1 | 1 | 1 |
| 1 | 50 | 03160300 | CAPSULE | 1 | 1 | 1 |
| 1 | 50A | 03160400 | HEXAGON NUT M 6X0,75. | 1 | 1 | 1 |
| 1 | 51 | 03033100 | COVER | 1 | 1 | 1 |
| 1 | 52 | 50030900 | HEXAGON SCREW M 12X20 | 2 | 2 | 2 |
| 1 | 53 | 03031900 | ENGINE BRACKET GOV.SIDE | 1 | 1 | 1 |
| 1 | 53A | 03033800 | ENGINE BRACKET START.DEV. | 1 | 1 | 1 |
| 1 | 54 | 50029300 | HEXAGON SCREW M 10X30 | 8 | 8 | 8 |
| 1 | 55 | 50002900 | SPRING WASHER 10. | 8 | 8 | 8 |
| 1 | 56 | 50012400 | SLOTTED SET PIN 5X24. | 1 | 1 | 1 |
| 1 | 57 | 03169103 | OIL DRAIN PLUG R 1/2 WITH MAGNET. . | 1 | 1 | 1 |
| 1 | 58 | 50001500 | JOINT A 21X26 | 1 | 1 | 1 |
| | | | CRANKSHAFT ===== | | | |
| 2 | 1 | 00327101 | CRANKSHAFT WITH COVER 25. | 1 | 1 | - |
| | | 50043200 | COVER 25. | 1 | 1 | 1 |
| 2 | 1 | 00327001 | CRANKSHAFT WITH ITEM NO.1-11. . . . | 1 | 1 | - |
| 2 | 1 | 00333901 | CRANKSHAFT WITH COVER 25. | - | - | 1 |
| 2 | 1 | 00333801 | CRANKSHAFT WITH ITEM NO.1-11. . . . | - | - | 1 |
| 2 | 2 | 03023101 | COUNTER WIGHT | 2 | 2 | - |
| 2 | 2 | 03035901 | COUNTER WIGHT | - | - | 2 |
| 2 | 4 | 50055000 | ALLEN SCREW M 10X50 | 4 | 4 | 4 |
| 2 | 5 | 50002900 | SPRING WASHER 10. | 4 | 4 | 4 |
| 2 | 6 | 50047600 | CYL.ROLLER BEARING NJ 309 E | 1 | 1 | 1 |
| 2 | 7 | 50022100 | CIRCLIP 100X3 | 1 | 1 | 1 |
| 2 | 8 | 50048900 | CYL.ROLLER BEARING NUP 309 E. . . . | 1 | 1 | 1 |
| 2 | 9 | 03028701 | INTERMEDIATE RING | 1 | 1 | 1 |
| 2 | 10 | 50011900 | FITTING KEY A 10X8X35 | 1 | 1 | 1 |
| 2 | 11 | 40023700 | WASHER 45X49X2. | 1 | 1 | 1 |

Quote when ordered

Qty. for engine type

| Table No. | Item No. | Part-/Ordering No. | DESIGNATION | Qty. for engine type | | |
|-----------|----------|--------------------|-------------------------------------|----------------------|------|------|
| | | | | E 80 | E 85 | E 89 |
| 2 | 12 | 03027502 | GEARWHEEL FOR CRANKSHAFT. | 1 | 1 | 1 |
| 2 | 13 | 03021100 | DISC. | 1 | 1 | 1 |
| 2 | 14 | 50031200 | HEXAGON SCREW M 12X30 | 1 | 1 | 1 |
| 2 | 15 | 50003000 | SPRING WASHER 12. | 1 | 1 | 1 |
| 2 | 16 | 03146300 | PLATE SPRING. | 2 | 2 | 2 |
| 2 | 17 | 03285300 | HEXAGON NUT M 30X1,5. | 1 | 1 | 1 |
| 2 | 17A | 03026000 | HEXAGON NUT | 1 | 1 | 1 |
| 2 | 18 | 50005100 | THREADED PIN AM 10X25 | 1 | 1 | 1 |
| 2 | 18A | 03198600 | SECURITY PLATE. | 1 | 1 | 1 |
| 2 | 19 | 50018100 | DISC SPRING 8X11. | 1 | 1 | 1 |
| | | | BEARING FLANGE ===== | | | |
| 2 | 20 | 00327301 | BEARING FLANGE WITH ITEM NO.21. . . | 1 | 1 | 1 |
| 2 | 21 | 50045400 | OIL SEAL RING B 55X70X8 | 1 | 1 | 1 |
| 2 | 22 | 03146401 | GASKET FOR BEARING FLANGE | 1 | 1 | 1 |
| 2 | 23 | 50018800 | SECURITY PLATE 8,4. | 8 | 8 | 8 |
| 2 | 24 | 50022900 | HEXAGON NUT M 8 | 8 | 8 | 8 |
| | | | FLYWHEEL ===== | | | |
| 2 | 25 | 03038100 | FLYWHEEL. | - | - | 1 |
| 2 | 25 | 03038200 | FLYWHEEL (HEAVY DESIGN) | - | - | 1 |
| 2 | 26 | 03032400 | FLYWHEEL. | 1 | 1 | - |
| 2 | 26 | 03032500 | FLYWHEEL (HEAVY DESIGN) | 1 | 1 | - |
| | | | BLOWER RING ===== | | | |
| 2 | 27 | 03030300 | BLOWER RING | 1 | 1 | - |
| 2 | 28 | 50052700 | ALLEN SCREW M 8X50. | 4 | 4 | - |
| 2 | 29 | 50002800 | SPRING WASHER | 4 | 4 | - |
| | | | PISTON ===== | | | |
| 2 | 30 | 00327502 | PISTON WITH RINGS | 1 | - | - |
| 2 | 30 | 00331402 | PISTON WITH RINGS | - | 1 | - |
| 2 | 30 | 00334701 | PISTON WITH RINGS | - | - | 1 |
| 2 | 30A | 00570401 | PISTON RING-SET | 1 | - | - |
| 2 | 30A | 00570801 | PISTON RING SET | - | 1 | - |
| 2 | 30A | 00571001 | PISTON RING SET | - | - | 1 |
| 2 | 31 | 50088000 | GUDGEON PIN | 1 | - | - |
| 2 | 31 | 50090001 | GUDGEON PIN | - | 1 | - |
| 2 | 31 | 50100501 | GUDGEON PIN | - | - | 1 |

Quote when ordered

Qty. for engine type

| Table No. | Item No. | Part-/Ordering No. | DESIGNATION | Qty. for engine type | | |
|-------------------------|----------|--------------------|---|----------------------|------|------|
| | | | | E 80 | E 85 | E 89 |
| 2 | 32 | 50020800 | CIRCLIP 30X1,2. | 2 | 2 | 2 |
| 2 | 33 | 50088300 | COMPRESSION RING. | 1 | - | - |
| 2 | 34 | 50088101 | COMPRESSION RING. | 1 | - | - |
| 2 | 35 | 50088900 | OIL CONTROL RING. | 1 | - | - |
| 2 | 33 | 50099300 | COMPRESSION RING. | - | 1 | - |
| 2 | 34 | 50099500 | 2-FACED COMPRESSION RING. | - | 1 | - |
| 2 | 35 | 50100301 | OIL CONTROL RING. | - | 1 | - |
| 2 | 33 | 50100800 | COMPRESSION RING. | - | - | 1 |
| 2 | 34 | 50101000 | 2-FACED COMPRESSION RING. | - | - | 1 |
| 2 | 35 | 50101600 | OIL CONTROL RING. | - | - | 1 |
| CONNECTING ROD ===== | | | | | | |
| 2 | 36 | 00301101 | CONNECTING ROD. | 1 | 1 | 1 |
| 2 | 37 | 50036300 | PIN 5X8 | 1 | 1 | 1 |
| 2 | 38 | 03021500 | BUSH FOR CONROD | 1 | 1 | 1 |
| 2 | 39 | 03146701 | CONROD SCREW. | 2 | 2 | 2 |
| 2 | 40 | 03146501 | BIG END BEARING | 1 | 1 | 1 |
| CYLINDER ===== | | | | | | |
| 2 | 41 | 03028902 | CYLINDER. | 1 | - | - |
| 2 | 41 | 03033602 | CYLINDER. | - | 1 | - |
| 2 | 41 | 03040301 | CYLINDER. | - | - | 1 |
| 2 | 41 | 00565300 | CYLINDER WITH PISTON | 1 | - | - |
| 2 | 41 | 00565500 | CYLINDER WITH PISTON | - | 1 | - |
| 2 | 41 | 00565600 | CYLINDER WITH PISTON | - | - | 1 |
| 2 | 42 | 03148300 | STUD. | 4 | 4 | 4 |
| 2 | 43 | 50023900 | HEXAGON NUT M 12. | 4 | 4 | 4 |
| CYLINDER HEAD ===== | | | | | | |
| 3 | 1 | 00327700 | CYLINDER HEAD WITH ITEM NO.2-4. | 1 | - | - |
| 3 | 1 | 00331600 | CYLINDER HEAD WITH ITEM NO.2-4. | - | 1 | - |
| 3 | 1 | 00334901 | CYLINDER HEAD WITH ITEM NO.2-5. | - | - | 1 |
| 3 | 2 | 03148401 | VALVE GUIDE | 2 | 2 | 2 |
| 3 | 3 | 50036500 | PIN 5X12. | 2 | 2 | 2 |
| 3 | 4 | 50037700 | STUD M 8X20 | 2 | 2 | - |
| 3 | 4 | 50037500 | STUD M 8X20 | - | - | 2 |
| 3 | 5 | 50038300 | STUD M 8X30 | - | - | 2 |
| 3 | 5A | 50022900 | HEXAGON NUT M8. | - | - | 2 |

Quote when ordered

Qty. for engine type

| Table No. | Item No. | Part-/Ordering No. | DESIGNATION | Qty. for engine type | | |
|-----------|----------|--------------------|--|----------------------|------|------|
| | | | | E 80 | E 85 | E 89 |
| 3 | 6 | 03148800 | GASKET FOR CYL.-HEAD 0,5 * | 1 | - | - |
| 3 | 6 | 03148900 | GASKET FOR CYL.-HEAD 0,6 * | 1 | - | - |
| 3 | 6 | 03149300 | GASKET FOR CYL.-HEAD 0,7 * | 1 | - | - |
| 3 | 6 | 03149400 | GASKET FOR CYL.-HEAD 0,8 * | 1 | - | - |
| 3 | 6 | 03149500 | GASKET FOR CYL.-HEAD 0,9 * | 1 | - | - |
| 3 | 6 | 03155400 | GASKET FOR CYL.-HEAD 0,5 * | - | 1 | - |
| 3 | 6 | 03155500 | GASKET FOR CYL.-HEAD 0,6 * | - | 1 | - |
| 3 | 6 | 03155600 | GASKET FOR CYL.-HEAD 0,7 * | - | 1 | 1 |
| 3 | 6 | 03155700 | GASKET FOR CYL.-HEAD 0,8 * | - | 1 | - |
| 3 | 6 | 03155800 | GASKET FOR CYL.-HEAD 0,9 * | - | 1 | - |
| 3 | 6 | 03158600 | GASKET FOR CYL.-HEAD 0,6 * | - | - | 1 |
| 3 | 6 | 03159300 | GASKET FOR CYL.-HEAD 0,7 * | - | - | 1 |
| 3 | 6 | 03159400 | GASKET FOR CYL.-HEAD 0,8 * | - | - | 1 |
| 3 | 6 | 03159500 | GASKET FOR CYL.-HEAD 0,9 * | - | - | 1 |
| 3 | 7 | 40022500 | WASHER 11X18X4. | 2 | 2 | 2 |
| 3 | 8 | 03149100 | CAP | 2 | 2 | 2 |
| | | | ROCKER HOUSING ===== | | | |
| 4 | 1 | 03024405 | ROCKER HOUSING. | 1 | 1 | - |
| 4 | 1 | 03037004 | ROCKER HOUSING. | - | - | 1 |
| 4 | 2 | 03148700 | JOINT WASHER. (MOUNTING DEVICE SEE TABLE 3 STIPPLED) | 2 | 2 | 2 |
| 4 | 3 | 03026900 | VALVE INLET | 1 | 1 | - |
| 4 | 3 | 03038800 | VALVE INLET | - | - | 1 |
| 4 | 4 | 03026800 | VALVE EXHAUST | 1 | 1 | - |
| 4 | 4 | 03038900 | VALVE EXHAUST | - | - | 1 |
| 4 | 5 | 03148501 | VALVE SPRING. | 2 | 2 | - |
| 4 | 5 | 03158701 | VALVE SPRING. | - | - | 2 |
| 4 | 6 | 50019400 | CIRCLIP 8X0,8 | 2 | 2 | 2 |
| 4 | 7 | 03148600 | COLLETT | 2 | 2 | 2 |
| 4 | 8 | 03022300 | CUP INLET | 1 | 1 | 1 |
| 4 | 9 | 03035600 | CUP EXHAUST | 1 | 1 | 1 |
| 4 | 10 | 00327901 | ROCKER INLET WITH ITEM NO.14-15 . . | 1 | 1 | 1 |
| 4 | 11 | 00328001 | ROCKER EXHAUST WITH ITEM NO.14-17 . | 1 | 1 | 1 |
| 4 | 13 | 03033401 | SHIM 4,0 * | - | - | 1 |
| 4 | 13 | 03405300 | SHIM 4,1 * | - | - | 1 |
| 4 | 13 | 03400700 | SHIM 4,2 * | - | - | 1 |
| 4 | 13 | 03400800 | SHIM 4,3 * | - | - | 1 |
| | | 03329600 | LIFTING STRAP | 1 | 1 | 1 |
| | | 50029200 | HEXAGON SCREW M 10X25 ** | 2 | 2 | 2 |
| | | 50002900 | SPRING WASHER ** | 2 | 2 | 2 |

*ACCORDING TO REQUIREMENTS

**NOT NECESSARY FOR MOUNTING OF FUEL TANK

Quote when ordered

Qty. for engine type

| Table No. | Item No. | Part-/Ordering No. | DESIGNATION | Qty. for engine type | | |
|-----------|----------|--------------------|-----------------------------------|----------------------|------|------|
| | | | | E 80 | E 85 | E 89 |
| 4 | 13A | 03169400 | SHIM 0,1 * | 1 | 1 | |
| 4 | 13A | 03169600 | SHIM 0,2 * | 1 | 1 | |
| 4 | 13A | 03169700 | SHIM 0,3 * | 1 | 1 | |
| 4 | 13A | 03169800 | SHIM 0,5 * | 1 | 1 | |
| 4 | 14 | 03022100 | ADJUSTING SCREW | 2 | 2 | 2 |
| 4 | 15 | 03149000 | HEXAGON NUT M 10X1 | 2 | 2 | 2 |
| 4 | 16 | 03022001 | ADJUSTING SCREW | 1 | 1 | 1 |
| 4 | 17 | 50022700 | HEXAGON NUT M 6 | 1 | 1 | 1 |
| 4 | 18 | 03148901 | ROCKER SHAFT | 1 | 1 | 1 |
| 4 | 19 | 40022300 | WASHER 8X12X2 | 4 | 4 | 4 |
| 4 | 20 | 50025500 | HEXAGON SCREW M 6X12 | 1 | 1 | 1 |
| 4 | 21 | 50018700 | SECURITY PLATE 6,4 | 1 | 1 | 1 |
| 4 | 22 | 03023800 | DECOMPRESSION LEVER | 1 | 1 | 1 |
| 4 | 23 | 50019500 | CIRCLIP 12X1 | 2 | 2 | 2 |
| 4 | 24 | 50009800 | BALL 6 MM | 1 | 1 | 1 |
| 4 | 25 | 03159100 | PRESSURE SPRING | 1 | 1 | 1 |
| 4 | 26 | 03079500 | GAP SCREW M 10X1 | 1 | 1 | 1 |
| 4 | 27 | 03150901 | STUD M. 8X30 | 1 | 1 | 1 |
| 4 | 28 | 03149700 | VALVE DIAPHRAGM | 1 | 1 | 1 |
| 4 | 29 | 03158800 | STROKE LIMITATION | 1 | 1 | 1 |
| 4 | 30 | 50022900 | HEXAGON NUT M 6 | 1 | 1 | 1 |
| 4 | 31 | 03158900 | GASKET | 1 | 1 | 1 |
| | | | <u>BREATHER</u> ===== | | | |
| 4 | 32 | 00304303 | COVER WITH TUBE | 1 | 1 | 1 |
| 4 | 33 | 50000900 | JOINT A 8X11,5 | 1 | 1 | 1 |
| 4 | 34 | 40028400 | HEXAGON NUT M 8 | 1 | 1 | 1 |
| 4 | 35 | 00328100 | IGNITION PAPER HOLDER | 1 | 1 | 1 |
| 4 | 36 | 00328200 | IGNITION PAPER HOLDER WITH HANDLE | 1 | 1 | 1 |
| 4 | 37 | 03143603 | COVER | 1 | 1 | - |
| 4 | 37 | 03159602 | COVER | - | - | 1 |
| 4 | 38 | 50052200 | ALLEN SCREW M 8X30 | 4 | 4 | 4 |
| 4 | 39 | 03149801 | GASKET FOR COVER | 1 | 1 | - |
| 4 | 39 | 03159701 | GASKET FOR COVER | - | - | 1 |
| 4 | 43 | 03159200 | PIPE CLIP | 1 | 1 | 1 |
| 4 | 44 | 50000900 | JOINT A 8X11,5 | 1 | 1 | 1 |
| 4 | 45 | 03228800 | JOINT 1,0 | 1 | 1 | 1 |
| 4 | 46 | 50044700 | CLOSING SCREW R 1/4 | 1 | 1 | 1 |

* ACCORDING TO REQUIREMENTS

Quote when ordered

Qty. for engine type

| Table No. | Item No. | Part-/Ordering No. | DESIGNATION | Qty. for engine type | | |
|-----------|----------|--------------------|---|----------------------|------|------|
| | | | | E 80 | E 85 | E 89 |
| | | | .CAMSHAFT ===== | | | |
| 5 | 1 | 00538501 | CAMSHAFT WITH 2 GOV.WEIGHTS | 1 | 1 | 1 |
| | | | CONSISTING OF ITEM NO.1A-10 | | | |
| 5 | 1 | 00538700 | CAMSHAFT WITH 4 GOV.WEIGHTS | 1 | 1 | 1 |
| | | | CONSISTING OF ITEM NO.1A-10 | | | |
| 5 | 1 | 00538601 | CAMSHAFT WITH 3 GOV.WEIGHTS | 1 | 1 | 1 |
| | | | CONSISTING OF ITEM NO.1A-10 | | | |
| 5 | 1A | 00334501 | CAMSHAFT WITH FITTING KEY | 1 | 1 | 1 |
| 5 | 5 | 00334302 | GOVERNOR SLEEVE WITH ITEM NO.5A | 1 | 1 | 1 |
| 5 | 5A | 40031100 | CIRCLIP | 1 | 1 | 1 |
| 5 | 6 | 40036100 | AXIAL BEARING STAR | 1 | 1 | 1 |
| 5 | 7 | 50021600 | CIRCLIP 45X1,75 | 1 | 1 | 1 |
| 5 | 8 | 03027403 | GEARWHEEL FOR CAMSHAFT. | 1 | 1 | 1 |
| 5 | 9 | 03037701 | GOVERNOR WEIGHT * | | | |
| 5 | 10 | 03156900 | PIN FOR GOVERNOR WEIGHT * | | | |
| 5 | 11 | 50015500 | GROOVED BALL BEARING 16014. | 1 | 1 | 1 |
| 5 | 12 | 50014700 | GROOVED BALL BEARING 6304 | 1 | 1 | 1 |
| | | | GOVERNOR HOUSING ===== | | | |
| 5 | 13 | 00328500 | GOVERNOR HOUSING W.ITEM NO.14-14B | 1 | 1 | 1 |
| 5 | 14 | 50045600 | OIL SEAL B 70X85X8. | 1 | 1 | 1 |
| 5 | 14A | 03168901 | CAP SCREW | 1 | 1 | 1 |
| 5 | 14B | 40023600 | WASHER 36X44X4. | 1 | 1 | 1 |
| 5 | 15 | 03150000 | GASKET. | 1 | 1 | 1 |
| 5 | 16 | 50051900 | ALLEN SCREW M 8X20. | 9 | 9 | 9 |
| 5 | 17 | 50052100 | ALLEN SCREW M 8X25. | 1 | 1 | 1 |
| | | | PUSHROD AND PROTECTION TUBE ===== | | | |
| 5 | 18 | 00335100 | PUSHROD | 2 | 2 | 2 |
| 5 | 19 | 03159800 | TAPPET. | 2 | 2 | 2 |
| 5 | 20 | 03038002 | PROTECTION TUBE | 1 | 1 | 1 |
| 5 | 21 | 03160100 | WASHER. | 1 | 1 | 1 |
| 5 | 22 | 03160000 | PRESSURE SPRING | 1 | 1 | 1 |
| 5 | 23 | 03159900 | PRESSURE RING | 2 | 2 | 2 |
| 5 | 24 | 40023500 | WASHER 35X47X6. | 2 | 2 | 2 |
| | | | OIL PUMP ===== | | | |
| 5 | 25 | 00429202 | OIL PUMP. | 1 | 1 | 1 |

* 2-4 PIECES ACC.TO SPEED

Quote when ordered

Qty. for engine type

| Table No. | Item No. | Part-/Ordering No. | DESIGNATION | Qty. for engine type | | |
|---|----------|--------------------|---------------------------------------|----------------------|------|------|
| | | | | E 80 | E 85 | E 89 |
| 5 | 26 | 50010400 | FITTING KEY | 1 | 1 | 1 |
| 5 | 27 | 03027802 | GEARWHEEL F.OIL PUMP DRIVE. | 1 | 1 | 1 |
| 5 | 28 | 40028400 | HEXAGON NUT M 8 | 1 | 1 | 1 |
| 5 | 29 | 03149900 | GASKET. | 1 | 1 | 1 |
| 5 | 30 | 50027500 | HEXAGON SCREW M 8X35. | 1 | 1 | 1 |
| 5 | 31 | 50002800 | SPRING WASHER 8 | 1 | 1 | 1 |
| INJECTION PUMP AND INJECTION VALVE ===== | | | | | | |
| 5 | 32 | 40005101 | INJECTION PUMP. | 1 | 1 | - |
| 5 | 32 | 40005301 | INJECTION PUMP | - | - | 1 |
| 5 | 33 | 50022900 | HEXAGON NUT M 8 | 3 | 3 | 3 |
| 5 | 34 | 03168301 | SHIM 0,15 * | 1 | 1 | 1 |
| 5 | 34 | 03168500 | SHIM 0,20 * | 1 | 1 | 1 |
| 5 | 34 | 03168600 | SHIM 0,25 * | 1 | 1 | 1 |
| 5 | 34 | 03168700 | SHIM 0,30 * | 1 | 1 | 1 |
| 5 | 35 | 40006000 | INJECTION VALVE WITH NOZZLE | 1 | 1 | - |
| 5 | 36 | 40006300 | INJECTION VALVE WITH NOZZLE | - | - | 1 |
| 5 | 35 | 40004400 | NOZZLE. | 1 | 1 | - |
| 5 | 36 | 40004500 | NOZZLE. | - | - | 1 |
| 5 | 39 | 03160500 | JOINT WASHER. | 1 | 1 | 1 |
| STARTING HANDLE ===== | | | | | | |
| 5 | 41 | 00302302 | STARTING HANDLE | 1 | 1 | 1 |
| 5 | 42 | 03024901 | CRANK JAW | 1 | 1 | 1 |
| 5 | 43 | 50053800 | ALLEN SCREW M 10X25 | 2 | 2 | 2 |
| SUCTION NIPPLE ===== | | | | | | |
| 5 | 44 | 00328702 | SUCTION NIPPLE. | 1 | 1 | 1 |
| 5 | 45 | 50001800 | JOINT A 30X36 | 1 | 1 | 1 |
| OIL RELIEF VALVE ===== | | | | | | |
| 5 | 46 | 00328800 | OIL RELIEF VALVE | 1 | 1 | 1 |
| 5 | 47 | 50001600 | JOINT A 22X27 | 1 | 1 | 1 |
| 5 | 48 | 03150100 | CAP SCREW | 1 | 1 | 1 |
| 5 | 49 | 50033300 | HEXAGON SCREW M 8X1X12. | 1 | 1 | 1 |
| 5 | 50 | 50000900 | JOINT A 8X11,5. | 1 | 1 | 1 |
| FUEL TANK ===== | | | | | | |
| 5 | 1 | 00329001 | FUEL TANK 7 LTRS. | 1 | 1 | 1 |

* ACCORDING TO REQUIREMENTS

Quote when ordered

Qty. for engine type

| Table No. | Item No. | Part-/Ordering No. | DESIGNATION | Qty. for engine type | | |
|-----------|----------|--------------------|--|----------------------|------|------|
| | | | | E 80 | E 85 | E 89 |
| 6 | 1 | 00329301 | FUEL TANK 10 5 LTRS.. | 1 | 1 | 1 |
| 6 | 2 | 40032700 | CAP SCREW B 40. | 1 | 1 | 1 |
| 6 | 3 | 00329102 | FUEL FILTER | 1 | 1 | 1 |
| 6 | 3A | 40043800 | FILTER ELEMENT | 1 | 1 | 1 |
| 6 | 4 | 03150201 | GASKET. | 1 | 1 | 1 |
| 6 | 5 | 50050300 | ALLEN SCREW M 6X8 | 4 | 4 | 4 |
| 6 | 6 | 50055900 | ALLEN SCREW M 10X120. (FOR 7 LTRS.TANK) | 2 | 2 | 2 |
| 6 | 6 | 03150500 | STUD (FOR 10,5 LTRS.TANK) | 2 | 2 | 2 |
| 6 | 7 | 50053800 | ALLEN SCREW M 10X25 | 2 | 2 | 2 |
| 6 | 8 | 50002900 | SPRING WASHER 10. | 4 | 4 | 4 |
| 6 | 9 | 50023500 | HEXAGON NUT M 10. (FOR 10,5 LTRS.TANK) | 2 | 2 | 2 |
| 6 | 15 | 00339301 | FUEL PRESSURE PIPE. | 1 | 1 | - |
| 6 | 15 | 00335401 | FUEL PRESSURE PIPE. | - | - | 1 |
| 6 | 16 | 03160600 | FUEL PIPE | 1 | 1 | 1 |
| 6 | 17 | 03150801 | FUEL LEAK-OFF PIPE. | 1 | 1 | 1 |
| 6 | 18 | 50006100 | BANJO BOLT A 2/3. | 2 | 2 | 2 |
| 6 | 19 | 50000900 | JOINT A 8X11,5. | 4 | 4 | 4 |
| 6 | 20 | 50006400 | BANJO BOLT A 8. | 1 | 1 | 1 |
| 6 | 21 | 50001200 | JOINT A 14X18 | 2 | 2 | 2 |
| 6 | 22 | 50006300 | BANJO BOLT A 6. | 1 | 1 | 1 |
| 6 | 23 | 50001100 | JOINT A 12X16 | 2 | 2 | 2 |
| 6 | 24 | 03150900 | CLAMP | 1 | 1 | 1 |
| 6 | 25 | 50000300 | FIXING STRAP BSN 12 | 1 | 1 | 1 |
| 6 | 26 | 50050500 | ALLEN SCREW M 6X12. | 1 | 1 | 1 |
| | | | <u>COOLING AIR DUCT</u> ===== | | | |
| 6 | 27 | 03024501 | COWLING BIG | 1 | 1 | - |
| 6 | 27 | 03036601 | COWLING BIG | - | - | 1 |
| 6 | 28 | 03024601 | COWLING SMALL | 1 | 1 | - |
| 6 | 28 | 03036501 | COWLING SMALL | - | - | 1 |
| 6 | 29 | 50005900 | ALLEN SCREW AM5X8 | 3 | 3 | 3 |
| 6 | 30 | 40028200 | HEXAGON NUT M 5 | 3 | 3 | 3 |
| 6 | 31 | 50025100 | HEXAGON SCREW M 5X10. | 2 | 2 | 2 |
| 6 | 32 | 50016500 | DISC 5,3. | 2 | 2 | 2 |
| 6 | 33 | 50049500 | ALLEN SCREW M 5X50. | 1 | 1 | - |
| 6 | 33 | 50049900 | ALLEN SCREW AM 5X75 | - | - | 1 |
| 6 | 34 | 40028200 | HEXAGON NUT M 5 | 1 | 1 | 1 |

Quote when ordered

Qty. for engine type

| Table No. | Item No. | Part-/Ordering No. | DESIGNATION | Qty. for engine type | | |
|-----------|----------|--------------------|---|----------------------|------|------|
| | | | | E 80 | E 85 | E 89 |
| | | | EXHAUST ===== | | | |
| 6 | 35 | 03020801 | EXHAUST ELBOW | 1 | 1 | - |
| 6 | 35 | 03034200 | EXHAUST ELBOW | - | - | 1 |
| 6 | 36 | 50002000 | GASKET 26 CU AS 2,5 | 1 | 1 | - |
| 6 | 36 | 50002200 | GASKET 36 CU AS 2,5 | - | - | 1 |
| 6 | 38 | 50023000 | HEXAGON NUT M 8 MS. | 2 | 2 | 2 |
| | | | FLEXIBLE COUPLING, FLYWHEELSIDE ===== | | | |
| 7 | 1 | 00329500 | FLANGE WITH 3 BOLTS | 1 | 1 | 1 |
| 7 | 1 | 00335500 | FLANGE WITH 6 BOLTS | - | - | 1 |
| 7 | 1 | 03022400 | FLANGE. | 1 | 1 | 1 |
| 7 | 2 | 00307200 | TAPPET. | 3 | 3 | 6 |
| 7 | 3 | 03151000 | RUBBER SHELL. | 3 | 3 | 6 |
| 7 | 4 | 03079000 | DISC. | 3 | 3 | 6 |
| 7 | 5 | 50017200 | DISC 13 | 3 | 3 | 6 |
| 7 | 6 | 50023900 | HEXAGON NUT M 12. | 3 | 3 | 6 |
| 7 | 7 | 50053800 | ALLEN SCREW M 10X25 | 4 | 4 | 4 |
| 7 | 8 | 50002900 | SPRING WASHER 10. | 4 | 4 | 4 |
| 7 | 9 | 03023000 | COUNTER FLANGE. | 1 | 1 | - |
| 7 | 9 | 03035800 | COUNTER FLANGE. | - | - | 1 |
| 7 | 10 | 50004900 | THREADED PIN M 10X16. | 1 | 1 | 1 |
| | | | FLEXIBLE COUPLING ON GOVERNOR SIDE ===== | | | |
| 7 | 1 | 00329500 | FLANGE WITH 3 BOLTS | 1 | 1 | - |
| 7 | 1 | 00341801 | FLANGE WITH 6 BOLTS * | - | - | 1 |
| 7 | 1 | 03004201 | FLANGE. | 1 | 1 | 1 |
| | | | FREE SHAFT END ===== | | | |
| 7 | 13 | 03027300 | FREE SHAFT END. | 1 | 1 | 1 |
| 7 | 13A | 50011700 | FITTING KEY A 8X7X63. | 1 | 1 | 1 |
| 7 | 14 | 50053800 | ALLEN SCREW M 10X25 | 4 | 4 | 4 |
| 7 | 15 | 50002900 | SPRING WASHER 10. | 4 | 4 | 4 |
| | | | SHAFT COUPLING ===== | | | |
| | | | MD=4,3 MKG+MD=10 MKG ===== | | | |
| 7 | 16 | 03022600 | FLANGE. | 1 | 1 | - |
| 7 | 16 | 03039900 | INTERMEDIATE FLANGE | - | - | 1 |

* WHEN REPLACING BOTH GEARWHEELS OF ENGINE E 89 ON CRANKSHAFT OR CAMSHAFT, ONLY USE HARDENED GEARWHEELS WITH PART-NO.03039701/03039402

Quote when ordered

Qty. for engine type

| Table No. | Item No. | Part-/Ordering No. | DESIGNATION | Qty. for engine type | | |
|-----------|----------|--------------------|---|----------------------|------|------|
| | | | | E 80 | E 85 | E 89 |
| 7 | 17 | 50053800 | ALLEN SCREW M 10X25 | 4 | 4 | 4 |
| 7 | 18 | 50002900 | SPRING WASHER 10. | 4 | 4 | 4 |
| 7 | 19 | 03096401 | INTERMEDIATE FLANGE | 1 | 1 | - |
| 7 | 20 | 40015700 | CLUTCH ORTLINGHAUS 100-15 * | 1 | 1 | - |
| 7 | 20 | 40015800 | CLUTCH ORTLINGHAUS 100-23 * | - | - | 1 |
| 7 | 21 | 40025400 | CONTROL DEVICE 202-15 | 1 | 1 | - |
| 7 | 21 | 40025500 | CONTROL DEVICE 202-31 | - | - | 1 |
| 7 | 22 | 03020700 | PIN | 1 | 1 | - |
| 7 | 22 | 03138600 | PIN | - | - | 1 |
| 7 | 23 | 50013700 | GROOVED BALL BEARING 6204 | 1 | 1 | - |
| 7 | 23 | 50014200 | GROOVED BALL BEARING 6206 | - | - | 1 |
| 7 | 24 | 50020300 | CIRCLIP 20X1,2. | 2 | 2 | - |
| 7 | 24 | 50020900 | CIRCLIP 30X1,5. | - | - | 2 |
| 7 | 25 | 50029300 | HEXAGON SCREW M 10X30 | 4 | 4 | - |
| 7 | 25 | 50029200 | HEXAGON SCREW M 10X25 | - | - | 4 |
| 7 | 26 | 50002900 | SPRING WASHER 10. | 4 | 4 | 4 |
| | | | CLUTCH FOR VEHICLE ENGINES ===== | | | |
| 7 | 27 | 00332700 | CONNECTING FLANGE WITH ITEM NO.28 | 1 | 1 | 1 |
| 7 | 27 | 03029300 | CONNECTING FLANGE | 1 | 1 | 1 |
| 7 | 28 | 50013800 | GROOVED BALL BEARING 6204-2RS | 1 | 1 | 1 |
| 7 | 29 | 50002900 | SPRING WASHER 10. | 3 | 3 | 3 |
| 7 | 30 | 50054100 | ALLEN SCREW M 10X30 | 3 | 3 | 3 |
| 7 | 31 | 40004000 | PRESSURE PLATE. | 1 | 1 | 1 |
| 7 | 31 | 40017400 | CLUTCH DISC | 1 | 1 | 1 |
| 7 | 31 | 40015000 | BALL BEARING DISCONNECTOR | 1 | 1 | 1 |
| 7 | 31 | 40009200 | SHAPE SPRING. | 2 | 2 | 2 |
| 7 | 32 | 50026700 | HEXAGON SCREW M 8X15. | 6 | 6 | 6 |
| 7 | 33 | 50002800 | SPRING WASHER 8 | 6 | 6 | 6 |
| 7 | 35 | 00332401 | CLUTCH HOUSING WITH BALL BEARING. DISCONNECTOR AND ITEM NO.35-56 | 1 | 1 | 1 |
| 7 | 36 | 50007900 | GREASE NIPPLE CM 8X1. | 2 | 2 | 2 |
| 7 | 37 | 03029402 | DISCONNECTOR SHAFT. | 1 | 1 | 1 |
| 7 | 38 | 03030201 | FORKED LEVER. | 1 | 1 | 1 |
| 7 | 39 | 50020000 | CIRCLIP 18X1,2. | 1 | 1 | 1 |
| 7 | 39A | 50017600 | DISC 19 | 1 | 1 | 1 |
| 7 | 40 | 03156200 | RETURN SPRING | 1 | 1 | 1 |
| 7 | 41 | 50035300 | PIN 6X28. | 2 | 2 | 2 |

* 100-15 MD=4,3 MKG+100-23 MD=10 MKG

Quote when ordered

Qty. for engine type

| Table No. | Item No. | Part-Ordering No. | DESIGNATION | Qty. for engine type | | |
|-----------|----------|-------------------|-------------------------------------|----------------------|------|------|
| | | | | E 80 | E 85 | E 89 |
| 7 | 42 | 50034400 | PIN 3,5X28. | 2 | 2 | 2 |
| 7 | 43 | 00332602 | SWITCH LEVER WITH ITEM NO.43-48 . . | 1 | 1 | 1 |
| 7 | 44 | 03032000 | HUB FOR CONTR.LEVER | 1 | 1 | 1 |
| 7 | 45 | 50051400 | ALLEN SCREW M 8X12. | 2 | 2 | 2 |
| 7 | 46 | 50002800 | SPRING WASHER 8 | 2 | 2 | 2 |
| 7 | 47 | 50027000 | HEXAGON SCREW M 8X25. | 1 | 1 | 1 |
| 7 | 48 | 50022900 | HEXAGON NUT M 8 | 1 | 1 | 1 |
| 7 | 49 | 03262100 | ADJUSTING PLATE | 1 | 1 | 1 |
| 7 | 50 | 50029100 | HEXAGON SCREW M 10X20 | 2 | 2 | 2 |
| 7 | 51 | 50016900 | DISC 10,5 | 2 | 2 | 2 |
| 7 | 53 | 50059300 | PIN 6X16. | 2 | 2 | 2 |
| 7 | 54 | 03032200 | PROTECTION SCREEN | 1 | 1 | 1 |
| 7 | 55 | 03029700 | SHIM. | 5 | 5 | 5 |
| 7 | 56 | 40002800 | BLIND RIVET 4X15. | 5 | 5 | 5 |
| 7 | 57 | 00332501 | BEARING FLANGE WITH ITEM NO.57-65 . | 1 | 1 | 1 |
| 7 | 57 | 03031701 | BEARING FLANGE. | 1 | 1 | 1 |
| 7 | 58 | 03031303 | CLUTCH SHAFT. | 1 | 1 | 1 |
| 7 | 59 | 50015000 | GROOVED BALL BEARING 6307-2 RS. . . | 1 | 1 | 1 |
| 7 | 60 | 40027600 | CIRCLIP J 80X2,5V | 1 | 1 | 1 |
| 7 | 61 | 50021100 | CIRCLIP 35X1,5. | 1 | 1 | 1 |
| 7 | 62 | 50017300 | DISC B 13 | 1 | 1 | 1 |
| 7 | 63 | 50002900 | SPRING WASHER 10. | 1 | 1 | 1 |
| 7 | 64 | 50029300 | HEXAGON SCREW M 10X30 | 1 | 1 | 1 |
| 7 | 65 | 50012000 | FITTING KEY A 10X8X50 | 1 | 1 | 1 |
| 7 | 66 | 50053800 | ALLEN SCREW M 10X25 | 4 | 4 | 4 |
| 7 | 66A | 50030100 | HEXAGON SCREW M 10X65 | 6 | 6 | 6 |
| 7 | 67 | 50002900 | SPRING WASHER 10. | 6 | 6 | 6 |
| 7 | 69 | 03156300 | COVER RING *. | 1 | 1 | 1 |
| 7 | 70 | 50002700 | SPRING WASHER 6 * | 6 | 6 | 6 |
| 7 | 71 | 50025300 | HEXAGON SCREW M 6X8 * | 6 | 6 | 6 |
| | | | BELT PULLEY ===== | | | |
| 7 | 72 | 03025501 | BELT PULLEY 125 DIA.. | 1 | 1 | 1 |
| 7 | 73 | 03025601 | BELT PULLEY 150 DIA.. | 1 | 1 | 1 |
| 7 | 74 | 03025701 | BELT PULLEY 175 DIA.. | 1 | 1 | 1 |
| 7 | 75 | 50029200 | HEXAGON SCREW M 10X25 | 4 | 4 | 4 |
| 7 | 76 | 50002900 | SPRING WASHER 10. | 4 | 4 | 4 |

* RECOMMENDABLE IF ENGINE IS STRONGLY EXPOSED TO DUST

Quote when ordered

Qty. for engine type

| Table No. | Item No. | Part-/Ordering No. | DESIGNATION | Qty. for engine type | | |
|-----------|----------|--------------------|---|----------------------|------|------|
| | | | | E 80 | E 85 | E 89 |
| | | | REDUCTION GEAR WITH DISCONNECTABLE ===== | | | |
| | | | F&S-CLUTCH K 180 ON FLYWHEEL-SIDE ===== | | | |
| 7 | 27 | 00332700 | CONNECTING FLANGE WITH ITEM NO.28 . | 1 | 1 | 1 |
| 7 | 27 | 03029300 | CONNECTING FLANGE | 1 | 1 | 1 |
| 7 | 28 | 50013800 | GROOVED BALL BEARING 6204-2RS . . . | 1 | 1 | 1 |
| 7 | 29 | 50002900 | SPRING WASHER 10. | 3 | 3 | 3 |
| 7 | 30 | 50054100 | ALLEN SCREW M 10X30 | 3 | 3 | 3 |
| 7 | 31 | 40004000 | PRESSURE PLATE. | 1 | 1 | 1 |
| 7 | 31 | 40017400 | CLUTCH DISC | 1 | 1 | 1 |
| 7 | 31 | 40015000 | BALL BEARING DISCONNECTOR | 1 | 1 | 1 |
| 7 | 31 | 40009200 | SHAPE SPRING. | 2 | 2 | 2 |
| 7 | 32 | 50026700 | HEXAGON SCREW M 8X15. | 6 | 6 | 6 |
| 7 | 33 | 50002800 | SPRING WASHER 8 | 6 | 6 | 6 |
| 7 | 35 | 00332401 | CLUTCH HOUSING WITH BALL BEARING. . | 1 | 1 | 1 |
| | | | DISCONNECTOR AND ITEM NO.35-56 | | | |
| 7 | 36 | 50007900 | GREASE NIPPLE CM 8X1. | 2 | 2 | 2 |
| 7 | 37 | 03029402 | DISCONNECTOR SHAFT. | 1 | 1 | 1 |
| 7 | 38 | 03030201 | FORKED LEVER. | 1 | 1 | 1 |
| 7 | 39 | 50020000 | CIRCLIP 18X1,2. | 1 | 1 | 1 |
| 7 | 39A | 50017600 | DISC 19 | 1 | 1 | 1 |
| 7 | 40 | 03156200 | RETURN SPRING | 1 | 1 | 1 |
| 7 | 41 | 50035300 | PIN 6X28. | 2 | 2 | 2 |
| 7 | 42 | 50034400 | PIN 3,5X28. | 2 | 2 | 2 |
| 7 | 43 | 00332602 | SWITCH LEVER WITH ITEM NO.43-48 . . | 1 | 1 | 1 |
| 7 | 44 | 03032000 | HUB FOR CONTR.LEVER | 1 | 1 | 1 |
| 7 | 45 | 50051400 | ALLEN SCREW M 8X12. | 2 | 2 | 2 |
| 7 | 46 | 50002800 | SPRING WASHER 8 | 2 | 2 | 2 |
| 7 | 47 | 50027000 | HEXAGON SCREW M 8X25. | 1 | 1 | 1 |
| 7 | 48 | 50022900 | HEXAGON NUT M 8 | 1 | 1 | 1 |
| 7 | 49 | 03262100 | ADJUSTING PLATE | 1 | 1 | 1 |
| 7 | 50 | 50029100 | HEXAGON SCREW M 10X20 | 2 | 2 | 2 |
| 7 | 51 | 50016900 | DISC 10,5 | 2 | 2 | 2 |
| 7 | 53 | 50059300 | PIN 6X16. | 2 | 2 | 2 |
| 7 | 54 | 03032200 | PROTECTION SCREW. | 1 | 1 | 1 |
| 7 | 55 | 03029700 | SHIM. | 5 | 5 | 5 |
| 7 | 56 | 40002800 | BLIND RIVET 4X15. | 5 | 5 | 5 |
| 7 | 57A | 00335900 | BEARING FLANGE W.ITEM NO.57A,58A-61 | 1 | 1 | 1 |

Quote when ordered

Qty. for engine type

| Table No. | Item No. | Part-/Ordering No. | DESIGNATION | Qty. for engine type | | |
|-----------|----------|--------------------|---|----------------------|------|------|
| | | | | E 80 | E 85 | E 89 |
| 7 | 57A | 03037200 | BEARING FLANGE. | 1 | 1 | 1 |
| 7 | 58A | 03034100 | DRIVING SHAFT | 1 | 1 | 1 |
| 7 | 59 | 50015000 | GROOVED BALL BEARING 6307-2RS | 1 | 1 | 1 |
| 7 | 60 | 40027600 | CIRCLIP J 80X2,5V | 1 | 1 | 1 |
| 7 | 61 | 50021100 | CIRCLIP 35X1,5. | 1 | 1 | 1 |
| 7 | 62 | 50017300 | DISC B 13 | 1 | 1 | 1 |
| 7 | 63 | 50002900 | SPRING WASHER 10. | 1 | 1 | 1 |
| 7 | 64 | 50029300 | HEXAGON SCREW M 10X30 | 1 | 1 | 1 |
| 7 | 65A | 50018000 | DISC SPRING 6X11. | 1 | 1 | 1 |
| 7 | 66 | 50053800 | ALLEN SCREW M 10X25 | 4 | 4 | 4 |
| 7 | 66A | 50030100 | HEXAGON SCREW M 10X65 | 6 | 6 | 6 |
| 7 | 67 | 50002900 | SPRING WASHER 10. | 6 | 6 | 6 |
| 7 | 68 | 40039400 | REDUCTION GEAR 2 1 ** | 1 | 1 | 1 |
| 7 | 68 | 40039500 | REDUCTION GEAR 1 1,5 ** | 1 | 1 | 1 |
| 7 | 68 | 40039600 | REDUCTION GEAR 1 1,8 ** | 1 | 1 | 1 |
| 7 | 68A | 50042000 | STUD M 10X95. | 4 | 4 | 4 |
| 7 | 68B | 50002900 | SPRING WASHER 10. | 4 | 4 | 4 |
| 7 | 68C | 50023500 | HEXAGON NUT M 10. | 4 | 4 | 4 |
| 7 | 69 | 03156300 | COVER RING *. | 1 | 1 | 1 |
| 7 | 70 | 50002700 | SPRING WASHER 6 * | 6 | 6 | 6 |
| 7 | 71 | 50025300 | HEXAGON SCREW M 6X8 * | 6 | 6 | 6 |
| | | | <u>CRANK JAW AND STARTING HANDLE IN</u> ===== | | | |
| | | | <u>CASE OF MOUNTED BELT PULLEY GOV.SID</u> ===== | | | |
| 7 | 77 | 03025000 | CRANK JAW | 1 | 1 | 1 |
| 7 | 78 | 50053800 | ALLEN SCREW M 10X25 | 2 | 2 | 2 |
| 7 | 79 | 50054100 | ALLEN SCREW M 10X30 | 2 | 2 | 2 |
| 7 | 80 | 00302502 | STARTING HANDLE | 1 | 1 | 1 |
| 7 | 81 | 03026600 | STEP BEARING PLATE. | 1 | 1 | 1 |
| | | | <u>SAFETY STARTING HANDLE</u> ===== | | | |
| 7 | 82 | 03029100 | SUPPORT | 1 | 1 | 1 |
| 7 | 83 | 50029400 | HEXAGON SCREW M 10X35 | 3 | 3 | 3 |
| 7 | 84 | 50002900 | SPRING WASHER 10. | 3 | 3 | 3 |
| 7 | 80 | 00302803 | STARTING HANDLE | 1 | 1 | 1 |

* RECOMMENDABLE IF ENGINE IS STRONGLY EXPOSED TO DUST

** ACCORDING TO REQUIREMENTS

Quote when ordered

Qty. for engine type

| Table No. | Item No. | Part-/Ordering No. | DESIGNATION | Qty. for engine type | | |
|-----------|----------|--------------------|---------------------------------------|----------------------|------|------|
| | | | | E 80 | E 85 | E 89 |
| | | | SAFETY STARTING HANDLE ===== | | | |
| | | | WITH SUPPORT ===== | | | |
| 7 | 80 | 00302803 | STARTING HANDLE | 1 | 1 | 1 |
| 7 | 85 | 03081101 | GUIDING SHELL | 1 | 1 | 1 |
| 7 | 86 | 50016700 | DISC 8,4. | 4 | 4 | 4 |
| 7 | 87 | 50052100 | ALLEN SCREW M 8X25. | 4 | 4 | 4 |
| 7 | 85 | 03071500 | GUIDING SHELL (BOMAG) | 1 | 1 | 1 |
| | | | REDUCTION GEAR 1 3 AND 1 4 ===== | | | |
| 8 | 1 | 00329600 | GOVERNOR HOUSING WITH ITEM NO.2-3B. | 1 | 1 | 1 |
| 8 | 2 | 50045600 | OIL SEAL B 70X85X8. | 1 | 1 | 1 |
| 8 | 3 | 50015500 | GROOVED BALL BEARING .16014. | 1 | 1 | 1 |
| 8 | 3A | 03168901 | CAP SCREW | 1 | 1 | 1 |
| 8 | 3B | 40023600 | WASHER 36X44X4. | 1 | 1 | 1 |
| 8 | 4 | 03028101 | GEARWHEEL | 1 | 1 | - |
| 8 | 4 | 03039701 | GEARWHEEL | - | - | 1 |
| 8 | 5 | 03021100 | DISC | 1 | 1 | 1 |
| 8 | 6 | 50056200 | ALLEN SCREW M 12X25 | 1 | 1 | 1 |
| 8 | 7 | 03025300 | HUB | 1 | 1 | 1 |
| 8 | 8 | 03028001 | GEARWHEEL ON CRANKSHAFT 1 3 | 1 | 1 | 1 |
| 8 | 8 | 03028301 | GEARWHEEL ON CRANKSHAFT 1 4 | 1 | 1 | 1 |
| 8 | 9 | 50051900 | ALLEN SCREW M 8X20. | 6 | 6 | 6 |
| 8 | 10 | 50002800 | SPRING WASHER 8 | 6 | 6 | 6 |
| 8 | 11 | 50014200 | GROOVED BALL BEARING 6206 | 1 | 1 | 1 |
| 8 | 12 | 03027403 | GEARWHEEL FOR CAMSHAFT | 1 | 1 | - |
| 8 | 12 | 03039402 | GEARWHEEL FOR CAMSHAFT | - | - | 1 |
| 8 | 13 | 03027901 | GEARWHEEL ON CAMSHAFT 1 3 | 1 | 1 | 1 |
| 8 | 13 | 03028201 | GEARWHEEL ON CAMSHAFT 1 4 | 1 | 1 | 1 |
| 8 | 14 | 50054100 | ALLEN SCREW M 10X30 | 4 | 4 | 4 |
| 8 | 15 | 50002900 | SPRING WASHER 10 | 4 | 4 | 4 |
| 8 | 16 | 03126400 | COVER FOR GOVERNOR HOUSING. | 1 | 1 | 1 |
| 8 | 17 | 03126500 | GASKET | 1 | 1 | 1 |
| 8 | 18 | 50026700 | HEXAGON SCREW M 8X15. | 6 | 6 | 6 |
| 8 | 19 | 50000900 | JOINT A 4X11,5 | 6 | 6 | 6 |
| 8 | 20 | 03037500 | CRANK JAW * | 1 | 1 | 1 |
| 8 | 21 | 50053800 | ALLEN SCREW M 10X25 | 2 | 2 | 2 |

* IN CASE BELT PULLEY IS MOUNTED,
USE CRANK JAW 0322200 INSTEAD OF 03037500

Quote when ordered

Qty. for engine type

| Table No. | Item No. | Part-/Ordering No. | DESIGNATION | Qty. for engine type | | |
|-----------|----------|--------------------|--|----------------------|------|------|
| | | | | E 83 | E 85 | E 89 |
| | | | REDUCTION GEAR 1 1,45 ===== | | | |
| | | | ON GOVERNOR SIDE ===== | | | |
| 8 | 1 | 00335700 | GOVERNOR HOUSING 1 1,45 W.I.NO.2-3B | 1 | 1 | 1 |
| 8 | 2 | 50045600 | OIL SEAL B 70X85X8 | 1 | 1 | 1 |
| 8 | 3A | 03168901 | CAP SCREW | 1 | 1 | 1 |
| 8 | 3B | 40023600 | WASHER 36X44X4 | 1 | 1 | 1 |
| 8 | 16 | 00335800 | BEARING GOVER' WITH ITEM NO.2. | 1 | 1 | 1 |
| 8 | 2 | 50045600 | OIL SEAL B 70X85X8 | 1 | 1 | 1 |
| 8 | 12 | 03039601 | GEARWHEEL | 1 | 1 | 1 |
| 8 | 3 | 50047000 | CYL.ROLLER BEARING NJ 207 | 1 | 1 | 1 |
| 8 | 3 | 50015500 | GROOVED BALL BEARING 16014 | 1 | 1 | 1 |
| 8 | 17 | 03160700 | GASKET | 1 | 1 | 1 |
| 8 | 10 | 50002800 | SPRING WASHER 8 | 6 | 6 | 6 |
| 8 | 18 | 50026800 | HEXAGON SCREW M 8X20 | 6 | 6 | 6 |
| 8 | 4 | 03039701 | GEARWHEEL ON CRANKSHAFT | 1 | 1 | 1 |
| | | | POWER-TAKE-OFF ON CRANKSHAFT ===== | | | |
| 8 | 1 | 00329800 | GOVERNOR HOUSING WITH ITEM NO.2-3B | 1 | 1 | 1 |
| 8 | 2 | 50045600 | OIL SEAL B 70X85X8 | 2 | 2 | 2 |
| 8 | 3A | 03168901 | CAP SCREW | 1 | 1 | 1 |
| 8 | 3B | 40023600 | WASHER 36X44X4 | 1 | 1 | 1 |
| 8 | 4 | 03028401 | GEARWHEEL | 1 | 1 | 1 |
| 8 | 6 | 50054900 | ALLEN SCREW M 10X50 | 1 | 1 | 1 |
| 8 | 5 | 40033200 | USITRING 12,7X18X1,5 | 1 | 1 | 1 |
| 8 | 3 | 50015500 | GROOVED BALL BEARING 16014 | 1 | 1 | 1 |
| | | | OILBATH-AIRFILTER ===== | | | |
| 8 | 23 | 40089100 | OILBATH-AIRFILTER | 1 | 1 | 1 |
| 8 | 23 | 40020400 | OILBATH-AIRFILTER * | - | - | 1 |
| 8 | | 40089300 | RAIN PROTECTION CAP | 1 | 1 | 1 |
| 8 | | 40040400 | RAIN PROTECTION CAP * | - | - | 1 |
| 8 | 24 | 03040000 | INTERMEDIATE FLANGE | - | - | 1 |
| 8 | 25 | 50041100 | STUD M 10X40 | - | - | 1 |
| 8 | 25 | 50041800 | STUD M 10X75 ** | - | - | 1 |
| 8 | 26 | 50053600 | ALLEN SCREW M 10X20 | - | - | 1 |
| 8 | 26 | 50055200 | ALLEN SCREW M 10X60 ** | - | - | 1 |
| 8 | 27 | 03150700 | GASKET | 1 | 1 | 1 |
| 8 | 27 | 03230000 | GASKET | - | - | 1 |
| 8 | 28 | 50029100 | HEXAGON SCREW M 10X20 | 2 | 2 | - |

* FOR ENGINES ABOVE N=2000RPM
** ONLY WHEN HEATER FLANGE IS USED

Quote when ordered

Qty. for engine type

| Table No. | Item No. | Part-/Ordering No. | DESIGNATION | Qty. for engine type | | |
|-----------|----------|--------------------|-------------------------------------|----------------------|------|------|
| | | | | E 80 | E 85 | E 89 |
| 8 | 28 | 50029200 | HEXAGON SCREW M 10X25 | - | - | 1 |
| 8 | 29 | 50002900 | SPRING WASHER 10 | 2 | 2 | 2 |
| 8 | 30 | 50023500 | HEXAGON NUT M 10 | - | - | 1 |
| | | | STARTER GEARING ===== | | | |
| 8 | 31 | 03156100 | GEARING | 1 | 1 | - |
| 8 | 31 | 03156101 | GEARING | - | - | 1 |
| 8 | 32 | 50052700 | ALLEN SCREW M 8X50. | 4 | 4 | - |
| 8 | 33 | 50002800 | SPRING WASHER 8 | 4 | 4 | - |
| | | | ELECTRICAL EQUIPMENT ===== | | | |
| 8 | 34 | 40000400 | ELECTRIC STARTER 12 V =BOSCH= . . . | 1 | 1 | 1 |
| 8 | 35 | 50042100 | STUD M 12X22. | 2 | 2 | 2 |
| 8 | 36 | 50003000 | SPRING WASHER 12. | 2 | 2 | 2 |
| 8 | 37 | 50023900 | HEXAGON NUT M 12. | 2 | 2 | 2 |
| 8 | 38 | 03030601 | SUPPORT FOR DYNAMO. | 1 | 1 | 1 |
| 8 | 40 | 50040600 | STUD M 10X30. | 2 | 2 | 2 |
| 8 | 41 | 50016900 | DISC 10,5 | 2 | 2 | 2 |
| 8 | 43 | 50023500 | HEXAGON NUT M 10. | 2 | 2 | 2 |
| 8 | 44 | 40018100 | DYNAMO 12 V =BOSCH= | 1 | 1 | 1 |
| 8 | 44A | 40036300 | REGULATOR =BOSCH= | 1 | 1 | 1 |
| 8 | 44B | 50025700 | HEXAGON SCREW M 6X15 | 2 | 2 | 2 |
| 8 | 45 | 03030900 | V-BELT PULLEY ON DYNAMO | 1 | 1 | 1 |
| 8 | 46 | 40028900 | STRAP SP | 2 | 2 | 2 |
| 8 | 50 | 03030800 | V-BELT PULLEY ON CAMSHAFT | 1 | 1 | 1 |
| 8 | 51 | 50054400 | ALLEN SCREW M 10X35 | 2 | 2 | 2 |
| 8 | 52 | 50008700 | V-BELT 10X950 | 1 | 1 | 1 |
| 8 | 53 | 40009900 | GLOW PLUG =BERU=. | 1 | 1 | 1 |
| 8 | 54 | 40011200 | GLOW CONTROLLER | 1 | 1 | 1 |
| 8 | 55 | 40012000 | HEATER FLANGE | 1 | 1 | 1 |
| 8 | 56 | 03150700 | GASKET | 1 | 1 | 1 |
| 8 | 57 | 40009500 | GLOW STARTING SWITCH | 1 | 1 | 1 |
| 8 | 57 | 40015400 | PLASTIC BUTTON | 1 | 1 | 1 |
| 8 | 58 | 40025300 | SWITCH BOX | 1 | 1 | 1 |
| 8 | 59 | 40001500 | INDICATOR LAMP | 1 | 1 | 1 |
| 8 | 59 | 40009700 | BULB 12V-2 W | 1 | 1 | 1 |

Quote when ordered

| Table No. | Item No. | Part-/Ordering No. | DESIGNATION | Qty. for engine type | | |
|-----------|----------|--------------------|--------------------------------------|----------------------|------|------|
| | | | | E 80 | E 85 | E 89 |
| 8 | 60 | 50041600 | STUD M10X55 * | 2 | 2 | 2 |
| 8 | 61 | 50002900 | SPRING WASHER 10. | 2 | 2 | 2 |
| 8 | 62 | 50023500 | HEXAGON NUT M 10. | 2 | 2 | 2 |
| 8 | 63 | 03029500 | INSTRUMENT PANEL. | 1 | 1 | 1 |
| 8 | 63 | 03089500 | INSTRUMENT PANEL. | 1 | 1 | 1 |
| | | | EXHAUST BOX ===== | | | |
| 8 | 64 | 03217900 | EXHAUST SILENCER R 1 | 1 | 1 | - |
| 8 | 64 | 40050900 | EXHAUST SILENCER R 1 1/4. | - | - | 1 |
| | | | DYNAMO 12 V WITH STARTER ===== | | | |
| | | | FOR MARINE ENGINES ===== | | | |
| 9 | 1 | 03023501 | SUPPORT FOR DYNAMO. | 1 | 1 | 1 |
| 9 | 2 | 50029700 | HEXAGON SCREW M 10X50 | 3 | 3 | 3 |
| 8 | 44 | 40018100 | DYNAMO 12 V BOSCH | 1 | 1 | 1 |
| 8 | 44A | 40036300 | REGULATOR =BOSCH= | 1 | 1 | 1 |
| 8 | 44B | 50025700 | HEXAGON SCREW M 6X15 | 2 | 2 | 2 |
| 8 | 44C | 00332101 | ELECTRIC WIRE | 1 | 1 | 1 |
| 8 | 44D | 00332201 | ELECTRIC WIRE | 1 | 1 | 1 |
| 8 | 44E | 00332301 | ELECTRIC WIRE | 1 | 1 | 1 |
| 8 | 45 | 03030900 | V-BELT PULLEY ON DYNAMO | 1 | 1 | 1 |
| 8 | 46 | 40028900 | STRAP SP | 2 | 2 | 2 |
| 8 | 50 | 03030800 | V-BELT PULLEY ON CAMSHAFT | 1 | 1 | 1 |
| 8 | 50A | 03028801 | INTERMEDIATE PIECE. | 1 | 1 | 1 |
| 8 | 51 | 50054700 | ALLEN SCREW M 10X45 | 2 | 2 | 2 |
| 8 | 52 | 50008700 | V-BELT 10X950 | 1 | 1 | 1 |
| | | | DYNAMO 12 V FOR ENGINES AND ===== | | | |
| | | | EXTERNAL BEARING ===== | | | |
| 8 | 40 | 50040600 | STUD M 10X30. | 2 | 2 | 2 |
| 8 | 41 | 50016900 | DISC 10,5 | 2 | 2 | 2 |
| 8 | 43 | 50023500 | HEXAGON NUT M 10. | 2 | 2 | 2 |
| 8 | 44 | 40018100 | DYNAMO 12 V =BOSCH= | 1 | 1 | 1 |
| 8 | 44A | 40036300 | REGULATOR =BOSCH= | 1 | 1 | 1 |
| 8 | 44B | 50025700 | HEXAGON SCREW M 6X15. | 2 | 2 | 2 |

*FOR ENGINE E80 AND E85 WITH HEATER FLANGE
FOR ENGINE E89 WITH HEATER FLANGE AND
OILBATH-AIRFILTER

Quote when ordered

Qty. for engine type

| Table No. | Item No. | Part-/Ordering No. | DESIGNATION | Qty. for engine type | | |
|---|----------|--------------------|-------------------------------------|----------------------|------|------|
| | | | | E 80 | E 85 | E 89 |
| 8 | 45 | 03030900 | V-BELT PULLEY ON DYNAMO | 1 | 1 | 1 |
| 8 | 46 | 40028900 | STRAP SP | 2 | 2 | 2 |
| 9 | 3 | 03031000 | V-BELT PULLEY ON CAMSHAFT | 1 | 1 | 1 |
| 8 | 52 | 50008700 | V-BELT 10X950 | 1 | 1 | 1 |
| DYNAMO 12V WITH STARTER IN CASE OF ===== | | | | | | |
| POWER-TAKE-OFF GOVERNOR SIDE ===== | | | | | | |
| 9 | 4 | 03031101 | V-BELT PULLEY ON CAMSHAFT | 1 | 1 | 1 |
| 9 | 5 | 03029600 | DYNAMO SUPPORT PIECE | 1 | 1 | 1 |
| 8 | 40 | 50041300 | STUD M 10X50 | 2 | 2 | 2 |
| 8 | 52 | 50008600 | V-BELT 10X900 | 1 | 1 | 1 |
| 8 | 38 | 03030601 | SUPPORT FOR DYNAMO | 1 | 1 | 1 |
| 8 | 41 | 50016900 | DISC 10,5 | 2 | 2 | 2 |
| 8 | 43 | 50023500 | HEXAGON NUT M 10 | 2 | 2 | 2 |
| 8 | 44 | 40018100 | DYNAMO 12 V =BOSCH= | 1 | 1 | 1 |
| 8 | 44A | 40036300 | REGULATOR =BOSCH= | 1 | 1 | 1 |
| 8 | 44B | 50025700 | HEXAGON SCREW M 6X15 | 2 | 2 | 2 |
| | | | | | | |
| 8 | 45 | 03030900 | V-BELT PULLEY ON DYNAMO | 1 | 1 | 1 |
| 8 | 46 | 40028900 | STRAP SP | 2 | 2 | 2 |
| DYNAMO 12 V FOR ENGINES WITH ===== | | | | | | |
| REDUCTION GEAR 1 3,1 4 ===== | | | | | | |
| 9 | 5 | 03029600 | DYNAMO SUPPORT PIECE | 1 | 1 | 1 |
| 8 | 38 | 03030601 | SUPPORT FOR DYNAMO | 1 | 1 | 1 |
| 8 | 40 | 50041300 | STUD M 10X50 | 2 | 2 | 2 |
| 8 | 41 | 50016900 | DISC 10,5 | 2 | 2 | 2 |
| 8 | 43 | 50023500 | HEXAGON NUT M 10 | 2 | 2 | 2 |
| 8 | 44 | 40018000 | DYNAMO 12 V =BOSCH= | 1 | 1 | 1 |
| 8 | 44A | 40036300 | REGULATOR =BOSCH= | 1 | 1 | 1 |
| 8 | 44B | 50025700 | HEXAGON SCREW M 6X15 | 2 | 2 | 2 |

Quote when ordered

Qty. for engine type

| Table No. | Item No. | Part-/Ordering No. | DESIGNATION | Qty. for engine type | | |
|---|----------|--------------------|-------------------------------------|----------------------|------|------|
| | | | | E 89 | E 85 | E 87 |
| 8 | 45 | 03030900 | V-BELT PULLEY ON DYNAMO | 1 | 1 | 1 |
| 8 | 46 | 40028900 | STRAP SP. | 2 | 2 | 2 |
| 8 | 50 | 03030800 | V-BELT PULLEY ON CAMSHAFT | 1 | 1 | 1 |
| 8 | 51 | 50054400 | ALLEN SCREW M 10X35 | 2 | 2 | 2 |
| 8 | 52 | 50008800 | V-BELT 10X1100. | 1 | 1 | 1 |
| STARTING DEVICE ON FLYWHEEL-SIDE ===== | | | | | | |
| 9 | 6 | 00335601 | BEARING HOUSING WITH ITEM NO.7-16 . | 1 | 1 | 1 |
| 9 | 7 | 03011300 | GEARWHEEL WITH SHAFT. | 1 | 1 | 1 |
| 9 | 8 | 03008500 | PIÑION SHAFT. | 1 | 1 | 1 |
| 9 | 9 | 50009500 | GROOVED DOWEL PIN 8X45. | 1 | 1 | 1 |
| 9 | 10 | 03175301 | BEARING RING. | 3 | 3 | 3 |
| 9 | 11 | 50009800 | BALL 6 MM III | 49 | 49 | 49 |
| 9 | 12 | 03012401 | INTERMEDIATE RING | 1 | 1 | 1 |
| 9 | 13 | 50020400 | CIRCLIP 24X1,2. | 2 | 2 | 2 |
| 9 | 14 | 03159100 | PRESSURE SPRING | 4 | 4 | 4 |
| 9 | 15 | 50007800 | GREASE NIPPLE AM 8X1. | 1 | 1 | 1 |
| 9 | 16 | 03079400 | THREADED PIN M 8X1. | 3 | 3 | 3 |
| 9 | 17 | 03037400 | CRANK JAW | 1 | 1 | 1 |
| 9 | 18 | 50030500 | HEXAGON SCREW M 10X100. | 2 | 2 | 2 |
| 9 | 19 | 50016900 | DISC 10,5 | 2 | 2 | 2 |
| 9 | 20 | 50002900 | SPRING WASHER 10 | 2 | 2 | 2 |
| 9 | 21 | 00302902 | STARTING HANDLE | 1 | 1 | 1 |
| 9 | 22 | 50005100 | THREADED PIN AM 10X25 | 1 | 1 | 1 |
| DECOMPRESSION DEVICE ===== | | | | | | |
| LIFTING MAGNET ===== | | | | | | |
| 9 | 23 | 00653400 | ANGLE | 1 | 1 | 1 |
| 9 | 24 | 40012400 | LIFTING MAGNET | 1 | 1 | 1 |
| 9 | 25 | 50040200 | STUD M 10X20 | 1 | 1 | 1 |
| 9 | 26 | 50023800 | HEXAGON SCREW AM 10 | 1 | 1 | 1 |
| 9 | 28 | 50052200 | ALLEN SCREW M 8X30. | 1 | 1 | 1 |
| 9 | 28 | 50052300 | ALLEN SCREW M 8X35 | 2 | 2 | 2 |
| 9 | 29 | 03151100 | CONNECTION ROD. | 1 | 1 | 1 |
| 9 | 30 | 50000600 | PIN 4 H11X16X14 | 2 | 2 | 2 |
| 9 | 31 | 50000400 | BARE DISC 4 | 2 | 2 | 2 |
| 9 | 32 | 50035900 | PIN 1X18. | 2 | 2 | 2 |
| 9 | 33 | 03023700 | LEVER | 1 | 1 | 1 |

Quote when ordered

Qty. for engine type

| Table No. | Item No. | Part-/Ordering No. | DESIGNATION | Qty. for engine type | | |
|-----------|----------|--------------------|---|----------------------|------|------|
| | | | | E 80 | E 85 | E 89 |
| 9 | 34 | 50026800 | HEXAGON SCREW M 8X20 | 1 | 1 | 1 |
| 9 | 35 | 03027200 | SHAFT FOR DECOMPRESSION | 1 | 1 | 1 |
| 9 | 36 | 03034500 | DISC | 2 | 2 | 2 |
| 9 | 37 | 03160800 | SUPPORT FOR DYNAMO. | 1 | 1 | 1 |
| 9 | 38 | 03160900 | SUPPORT FOR GOV. SWITCH. | 1 | 1 | 1 |
| | | | EXHAUST BOX ===== | | | |
| 9 | 40 | 00310200 | EXHAUST BOX | 1 | 1 | 1 |
| 9 | 41 | 50002200 | GASKET 36 CU-AS 2,5 | 1 | 1 | 1 |
| 9 | 42 | 03089300 | EXHAUST MANIFOLD. | 1 | 1 | - |
| 9 | 42 | 03102300 | EXHAUST MANIFOLD. | - | - | 1 |
| 9 | 43 | 50027300 | HEXAGON SCREW M 8X30. | 2 | 2 | 2 |
| 9 | 44 | 50023000 | HEXAGON NUT M 8 MS | 2 | 2 | 2 |
| 9 | 45 | 50026800 | HEXAGON SCREW M 8X20 | 2 | 2 | 2 |
| 9 | 46 | 03176300 | ELBOW | 1 | 1 | 1 |
| 9 | 47 | 03298800 | TWIN-SCREW FLANGE A 32X58 | 1 | 1 | 1 |
| 9 | 49 | 50016700 | DISC 8,4 | 2 | 2 | 2 |
| 9 | 50 | 50026800 | HEXAGON SCREW M 8X20. | 2 | 2 | 2 |
| | | | MOUNTING PARTS FOR BOWDEN-CONTROL ===== | | | |
| 9 | 51 | 03108000 | CONSOLE | 1 | 1 | 1 |
| 9 | 52 | 03072500 | SPEED CONTROL LEVER | 1 | 1 | 1 |
| 9 | 53 | 03074600 | LOCK | 1 | 1 | 1 |
| | | | MOUNTING PARTS F.CENTR.BELT PULLEY ===== | | | |
| 9 | 54 | 03025200 | NUT | 1 | 1 | 1 |
| 9 | 55 | 03198600 | SECURITY PLATE | 1 | 1 | 1 |
| 9 | 56 | 50031900 | HEXAGON SCREW M 12X80 | 1 | 1 | 1 |
| 9 | 57 | 50003600 | SPRING WASHER B 12. | 1 | 1 | 1 |
| | | | CENTRIFUGAL BELT PULLEY ===== | | | |
| 9 | 58 | 40008600 | CENTRIFUGAL BELT PULLEY | 1 | 1 | 1 |
| 9 | 59 | 40008800 | CENTRIFUGAL BELT PULLEY | 1 | 1 | 1 |
| | | | EXTERNAL BEARING ON GOVERNOR SIDE ===== | | | |
| 10 | 1 | 00562200 | GOVERNOR HOUSING. WITH ITEM NO.1-2 | 1 | 1 | 1 |
| 10 | 1A | 03168901 | CAP SCREW | 1 | 1 | 1 |

Quote when ordered

Qty. for engine type

| Table No. | Item No. | Part-/Ordering No. | DESIGNATION | Qty. for engine type | | |
|---|----------|--------------------|-------------------------------------|----------------------|------|------|
| | | | | E 80 | E 85 | E 89 |
| 10 | 1B | 40023600 | WASHER 36X44X4. | 1 | 1 | 1 |
| 10 | 2 | 50045700 | OIL SEAL B 75X90X8. | 1 | 1 | 1 |
| 10 | 3 | 03039701 | GEARWHEEL FOR CRANKSHAFT. | 1 | 1 | 1 |
| 10 | 4 | 03039402 | GEARWHEEL FOR CAMSHAFT | 1 | 1 | 1 |
| 10 | 5 | 03022800 | FLANGED SHAFT | 1 | 1 | 1 |
| 10 | 6 | 50054100 | ALLEN SCREW M 10X30 | 4 | 4 | 4 |
| 10 | 7 | 50002900 | SPRING WASHER 10. | 4 | 4 | 4 |
| 10 | 8 | 50047200 | CYL.ROLLER BEARING NJ 306 | 1 | 1 | 1 |
| 10 | 9 | 50045100 | OIL SEAL B 30X50X12 | 1 | 1 | 1 |
| 10 | 10 | 50011500 | FITTING KEY A 8X7X35 | 1 | 1 | 1 |
| 10 | 11 | 03022700 | FLANGE HUB | 1 | 1 | 1 |
| 10 | 12 | 50004800 | THREADED PIN AM 10X15 | 1 | 1 | 1 |
| 10 | 13 | 50053800 | ALLEN SCREW M 10X25 | 4 | 4 | 4 |
| 10 | 14 | 50002900 | SPRING WASHER 10. | 4 | 4 | 4 |
| AUTOMATIC DECOMPRESSION ===== | | | | | | |
| 10 | 16 | 00328300 | DECOMPRESSION SHAFT | 1 | 1 | 1 |
| 10 | 21 | 03027600 | GEARWHEEL | 1 | 1 | 1 |
| 10 | 22 | 50034100 | PIN 3X16 | 1 | 1 | 1 |
| 10 | 23 | 03026400 | PIN | 1 | 1 | 1 |
| 10 | 24 | 40021600 | WASHER 2,5X4,9X1,2. | 2 | 2 | 2 |
| 10 | 25 | 03151200 | PLATE SPRING. | 1 | 1 | 1 |
| 10 | 26 | 03151300 | SECURITY PLATE | 1 | 1 | 1 |
| 10 | 27 | 50025500 | HEXAGON SCREW M 6X12. | 2 | 2 | 2 |
| 10 | 28 | 00335200 | PUSHROD WITH FLANGED TOP. | 1 | 1 | 1 |
| 10 | 29 | 03000401 | CAP | 1 | 1 | 1 |
| 10 | 30 | 03174402 | PRESSURE SPRING | 1 | 1 | 1 |
| 10 | 31 | 40030900 | CIRCLIP SEEGER SW 10. | 1 | 1 | 1 |
| SPEED CONTROL LEVER WITH SEGMENT ===== | | | | | | |
| 10 | 33 | 03087600 | ADJUSTING PLATE * | 1 | 1 | 1 |
| 10 | 33 | 03076100 | ADJUSTING PLATE ** | 1 | 1 | 1 |
| 10 | 34 | 03074600 | LOCK | 1 | 1 | 1 |
| 10 | 35 | 03072200 | HANDLEVER | 1 | 1 | 1 |
| 10 | 36 | 03075900 | PAWL. | 1 | 1 | 1 |
| 10 | 37 | 03217700 | SPRING | 1 | 1 | 1 |
| 10 | 38 | 50026000 | HEXAGON SCREW M 6X30. | 1 | 1 | 1 |
| 10 | 39 | 50022700 | HEXAGON NUT M 6 | 1 | 1 | 1 |
| 10 | 40 | 50046700 | CYL.SCREW 3X12 | 1 | 1 | 1 |

* NO LOAD,N= 1700,N=2000

** NO LOAD,N= 2000,N=2500

Quote when ordered

Qty. for engine type

| Table No. | Item No. | Part-/Ordering No. | DESIGNATION | Qty. for engine type | | |
|-----------------|----------|--------------------|-------------------------------|----------------------|------|------|
| | | | | E 80 | E 85 | E 89 |
| 10 | 41 | 50046800 | CYLINDER SCREW 3X16 | 1 | 1 | 1 |
| 10 | 42 | 03286200 | ADJUSTING PLATE * | 1 | 1 | 1 |
| 10 | 43 | 50046700 | CYLINDER SCREW 3X12 | 2 | 2 | 2 |
| 10 | 44 | 03076200 | ADJUSTING PLATE | 1 | 1 | 1 |
| 10 | 45 | 50046700 | CYLINDER SCREW 3X12 | 2 | 2 | 2 |
| 10 | 46 | 00306900 | BELT GUARD | 1 | 1 | 1 |
| * N=1500,N=2500 | | | | | | |

Table 1-10

Table 1

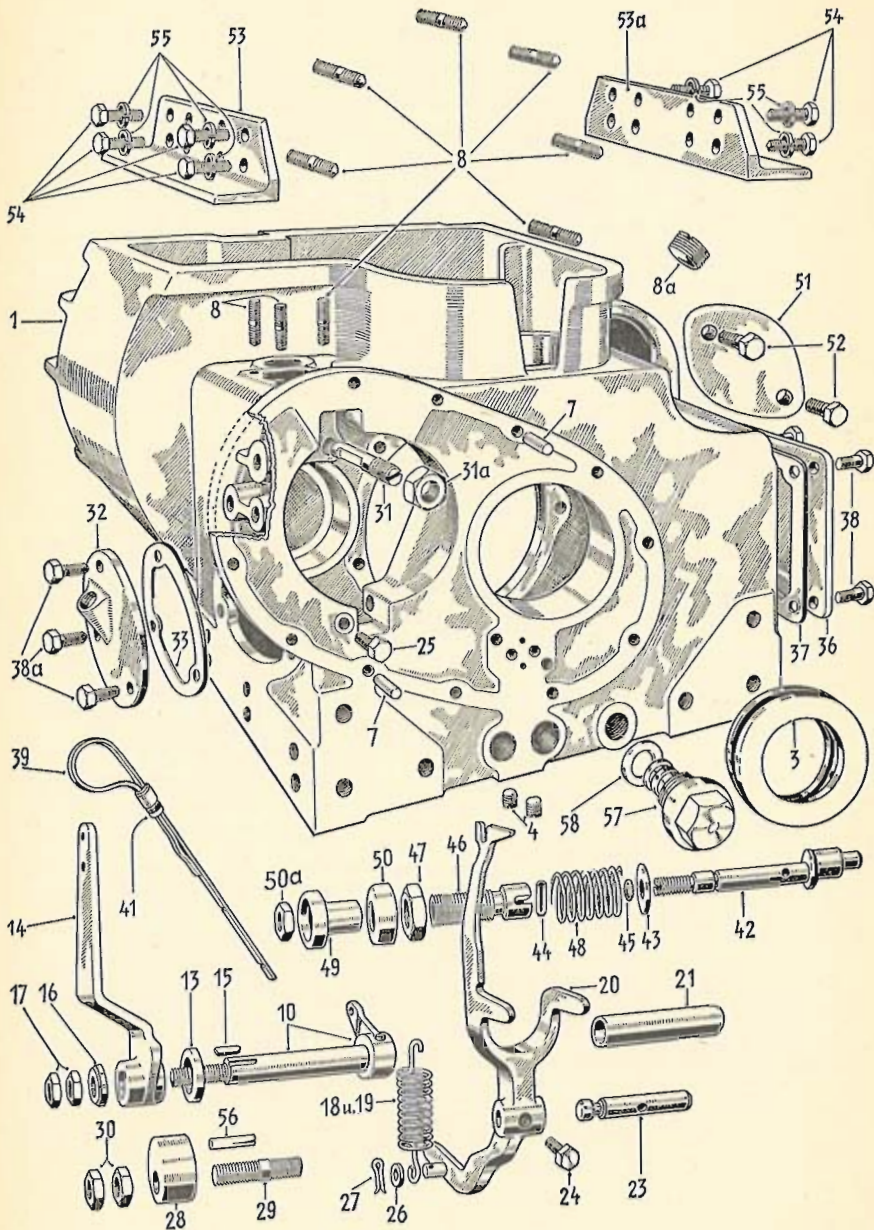


Table 2

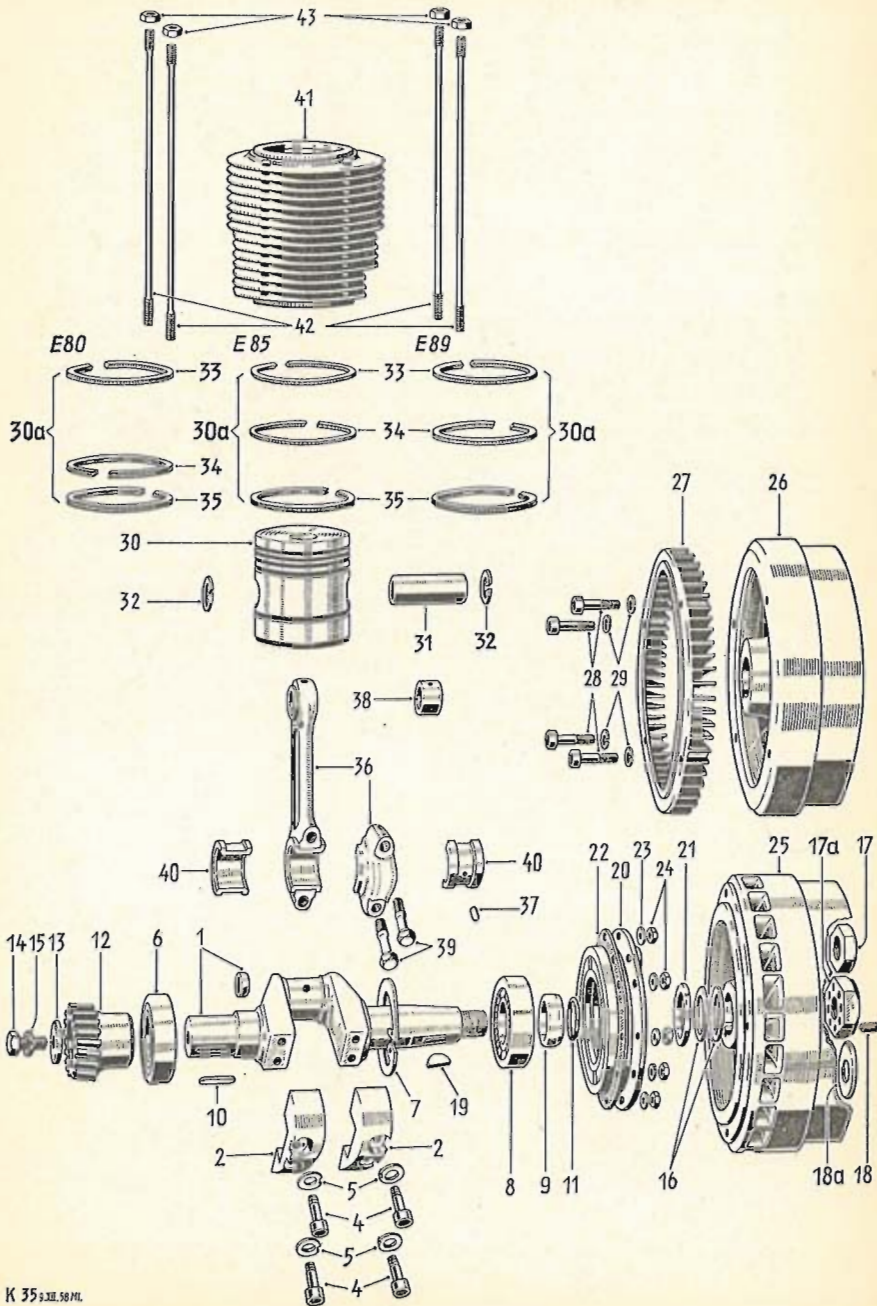


Table 3

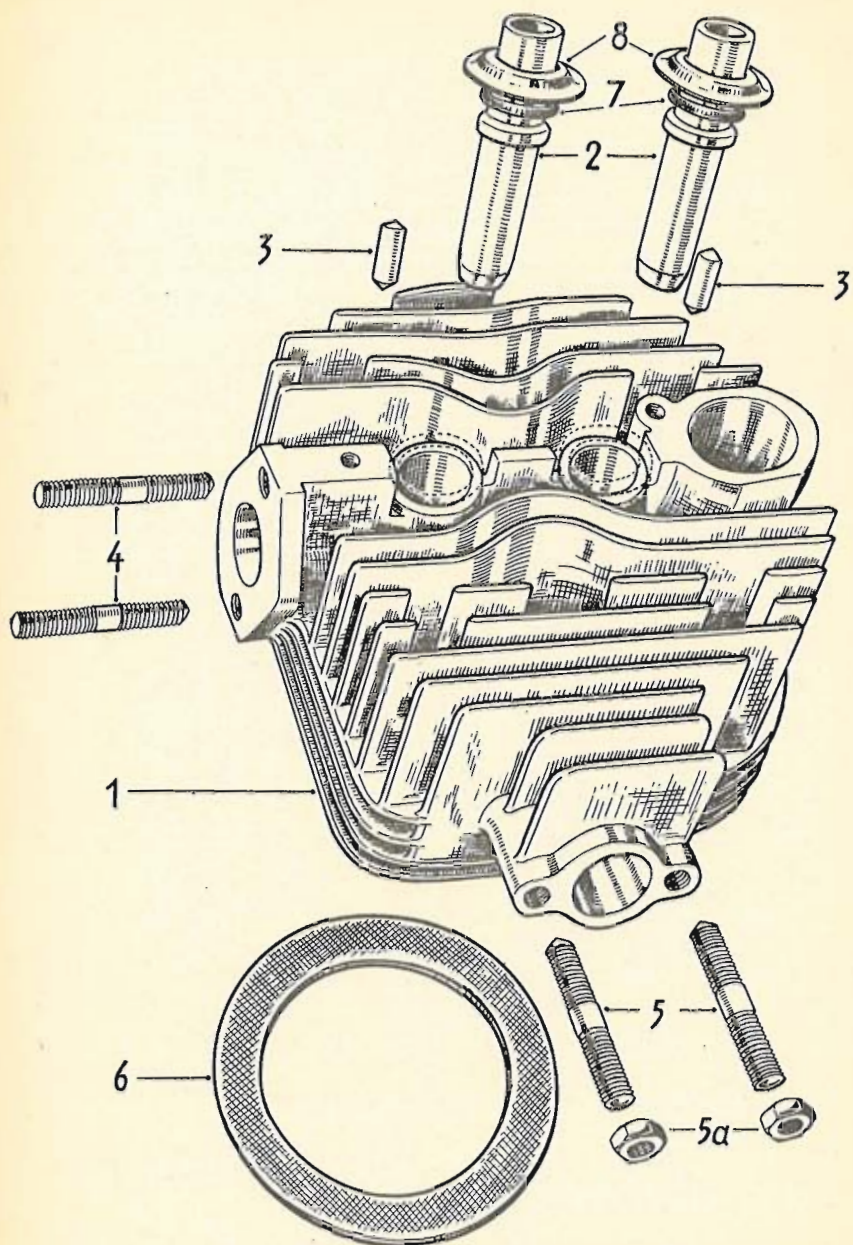


Table 4

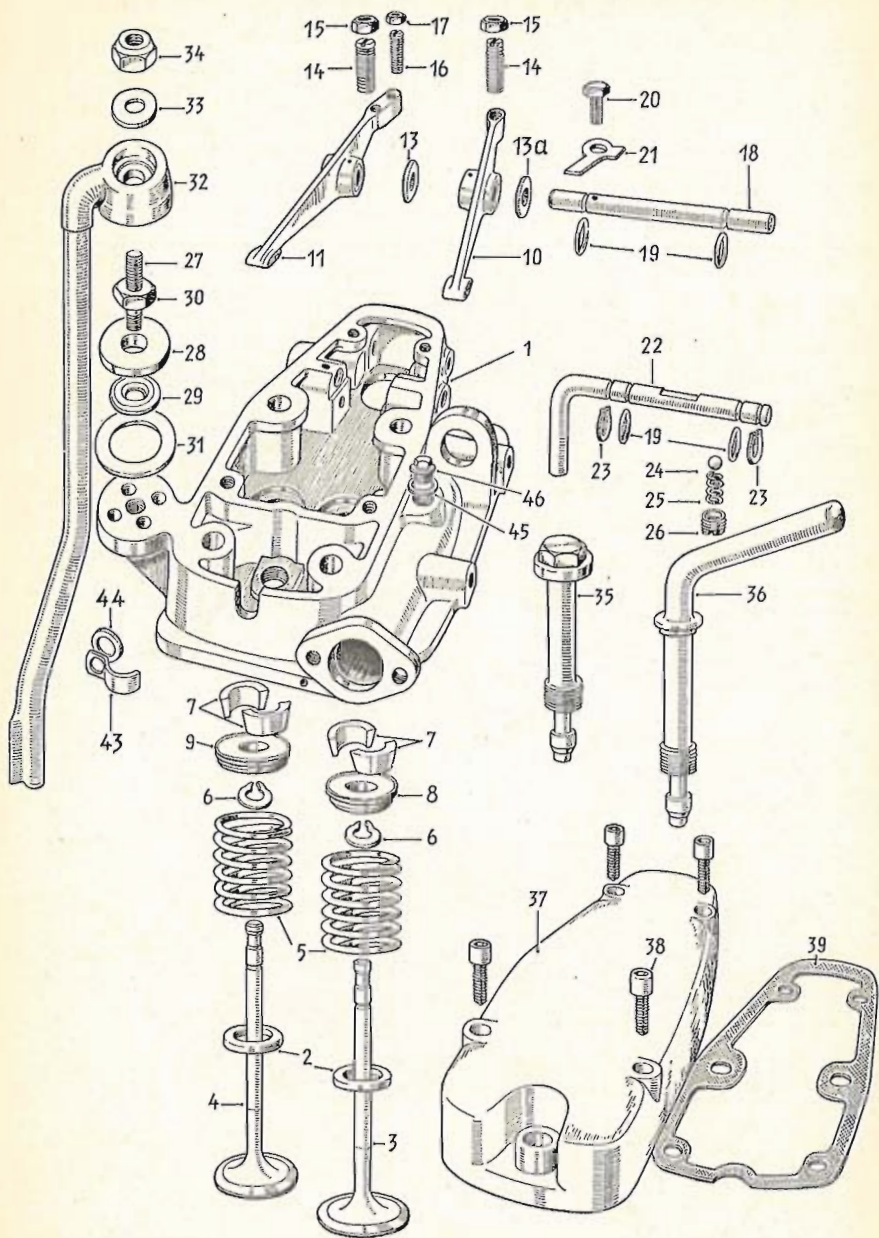


Table 5

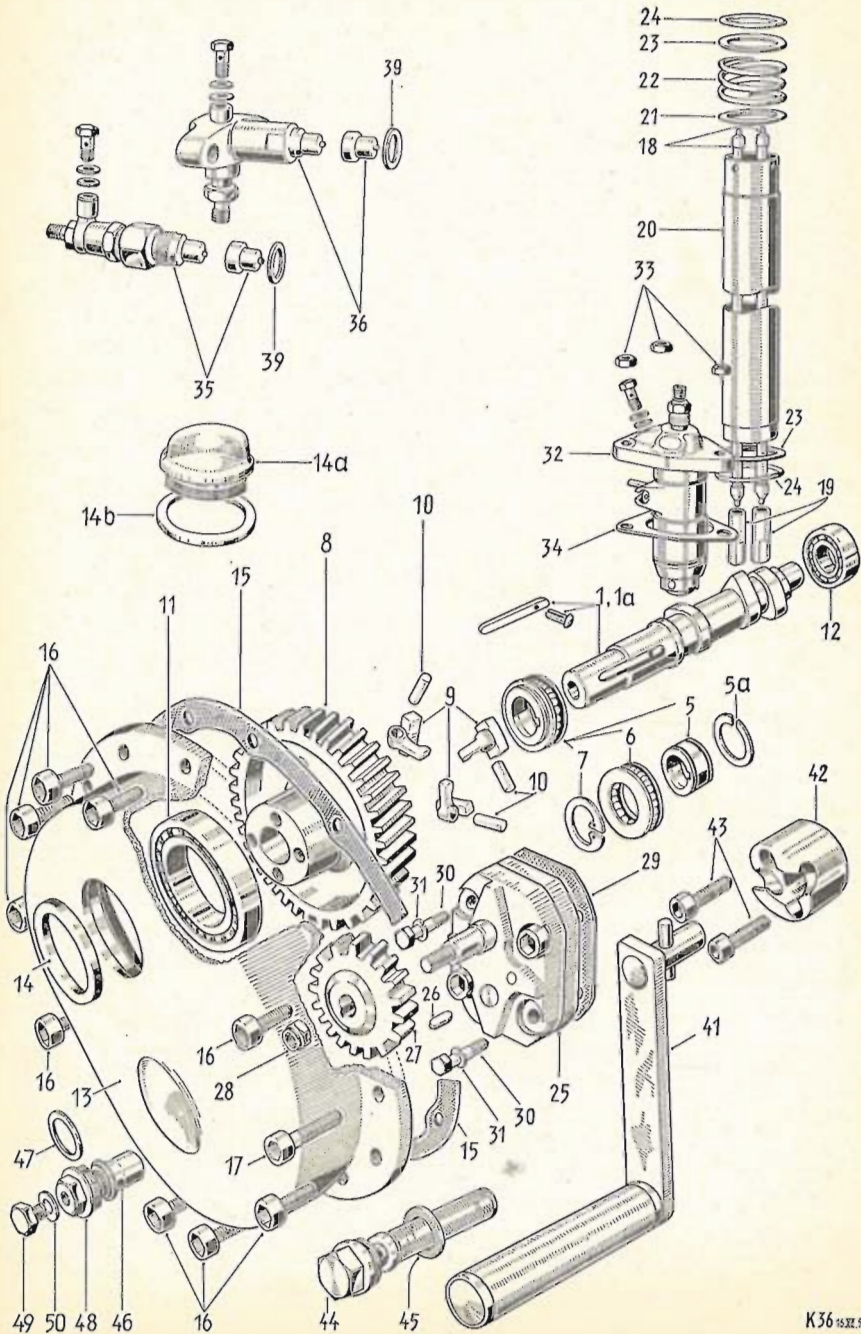


Table 6

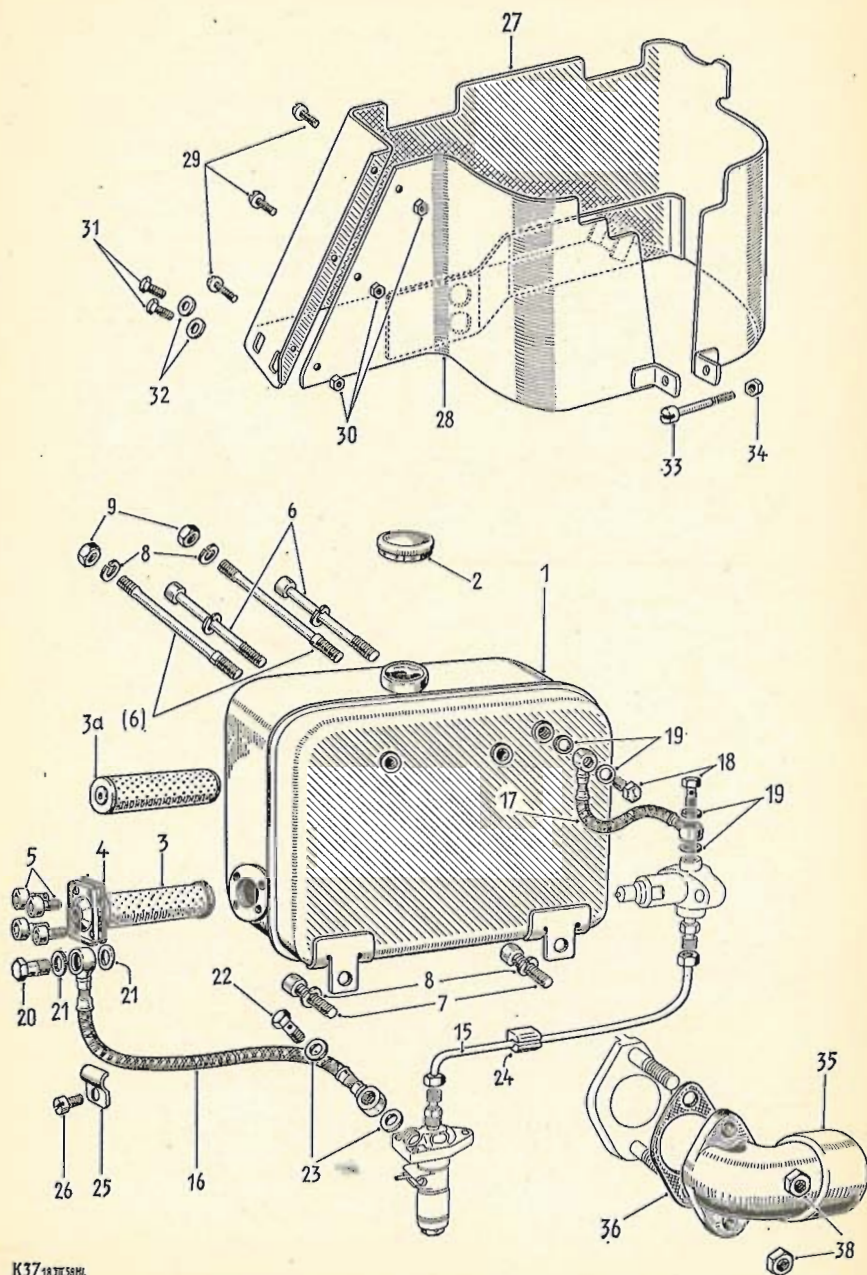


Table 7

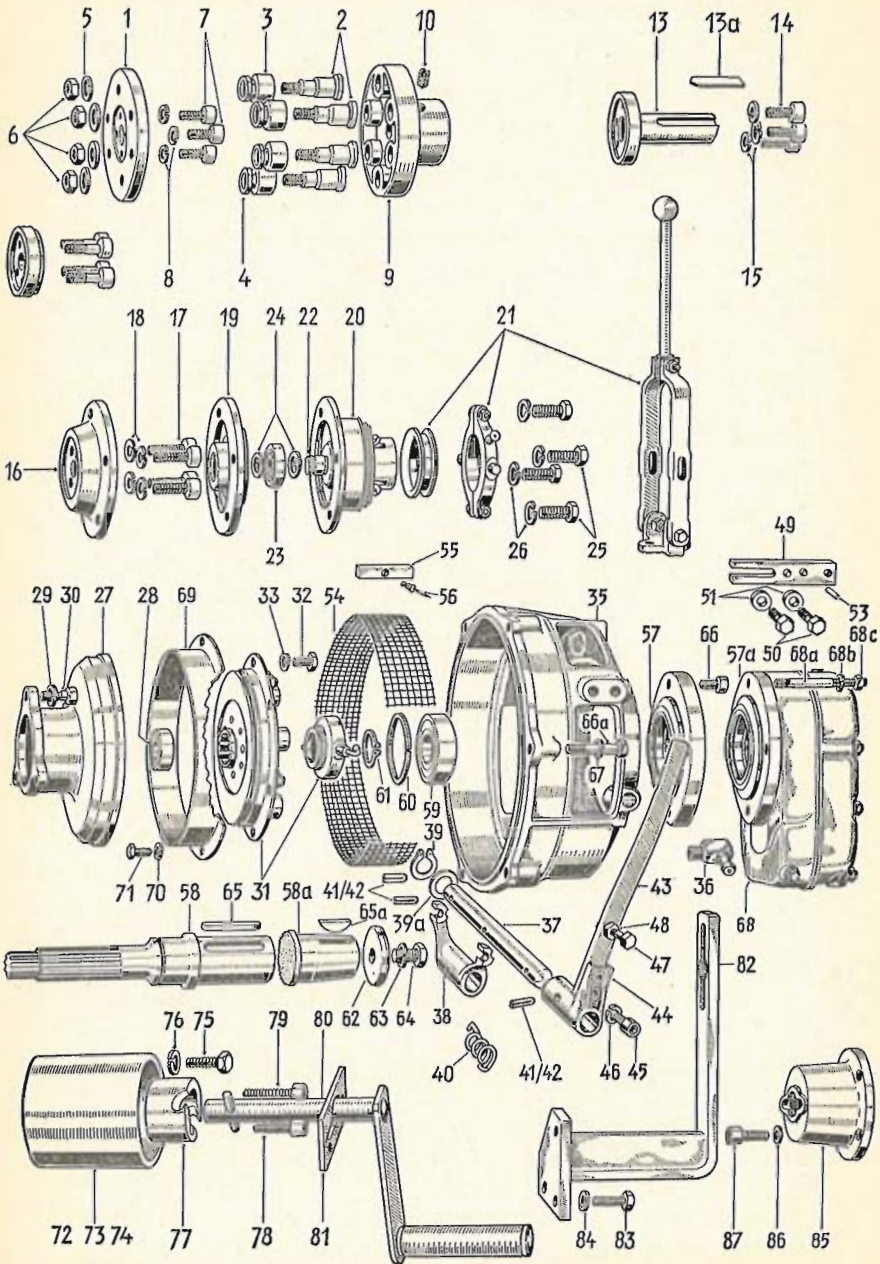


Table 8

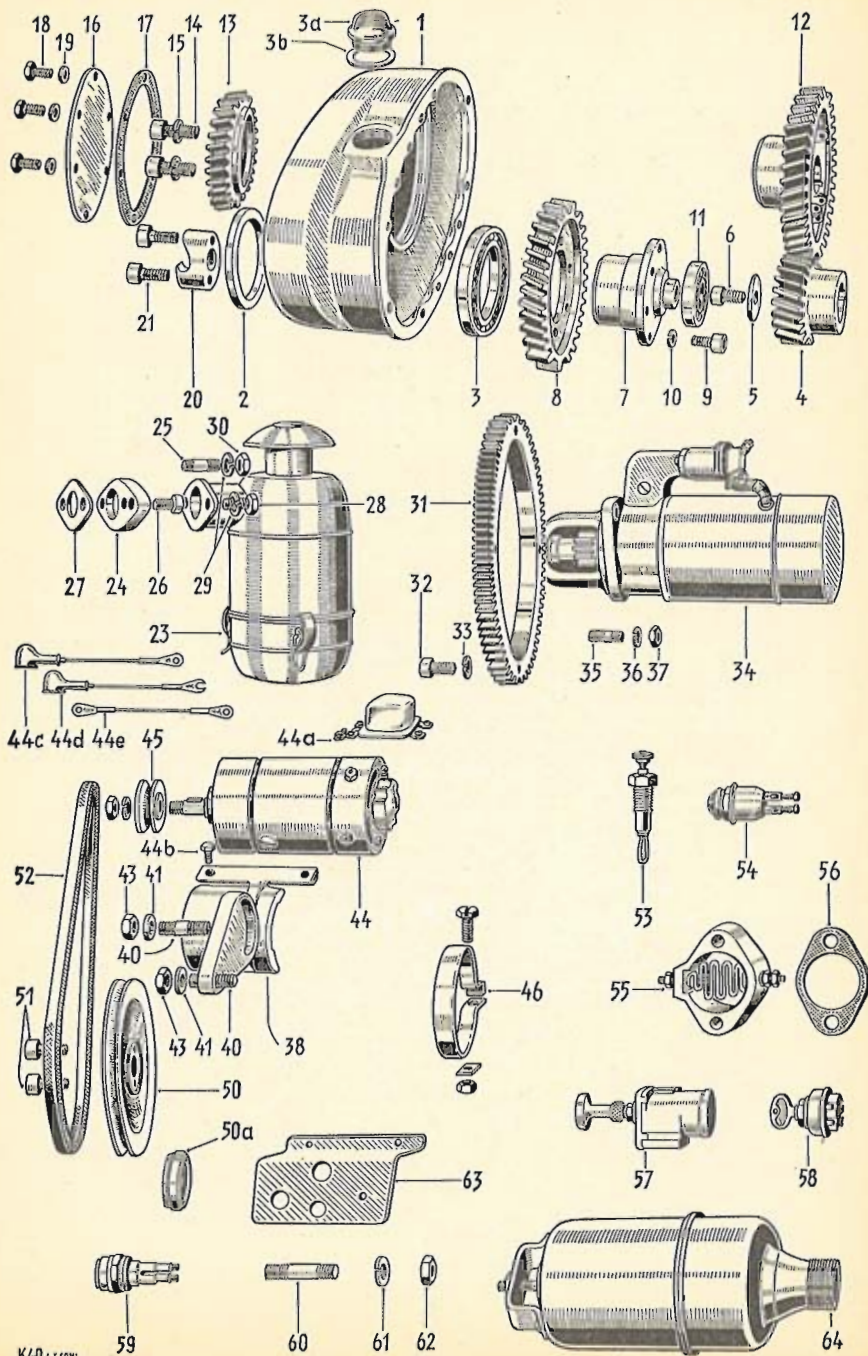


Table 9

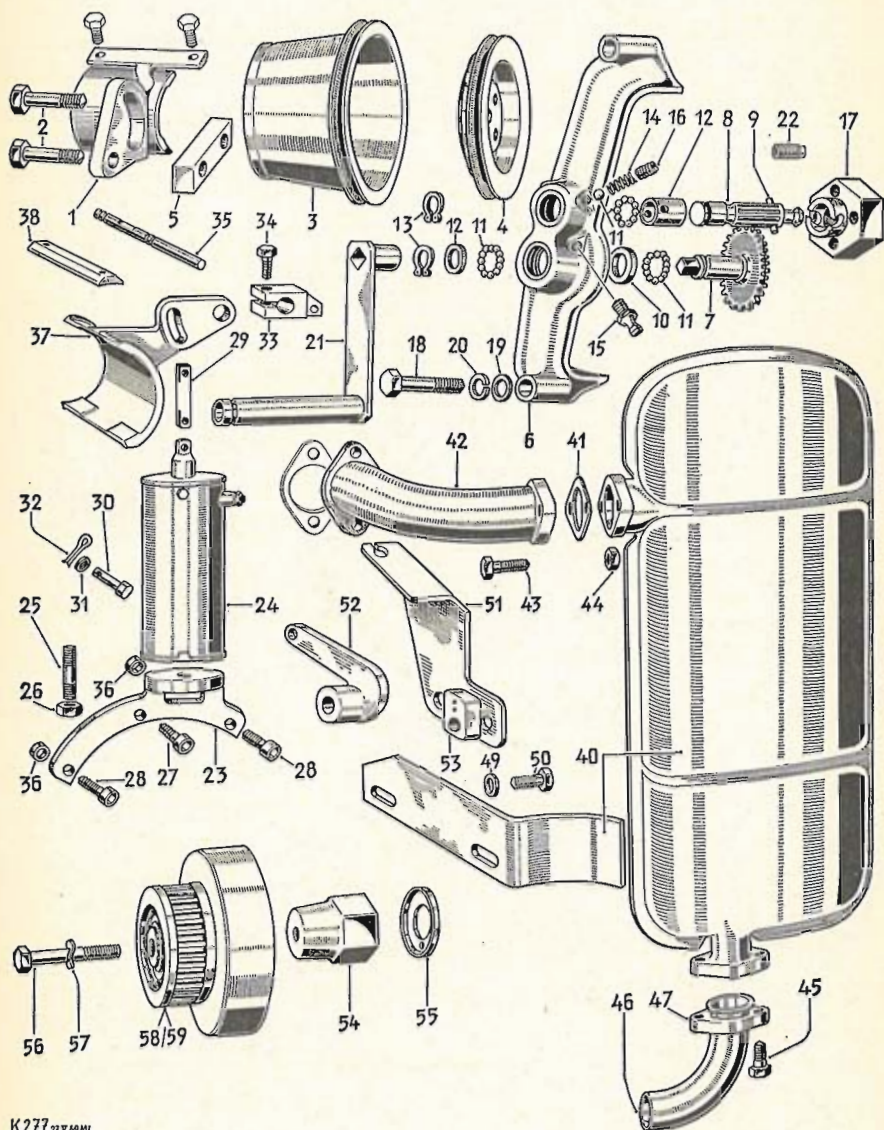


Table 10

