

**MOTORENFABRIK
HATZ KG
RUHSTORF/ROTT**

**Telephone: (08531) 322-326
Telex: 05 7260**



SPARE PARTS LIST

**for
HATZ-Diesel engines
aircooled**

Engine types

Z 782 · Z 788 · Z 789 · Z 790

Spare parts list

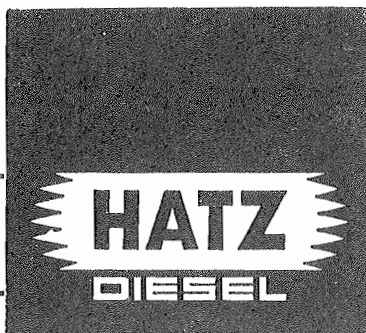
**8399 Ruhstorf-Rott
Postfach 12/13**

**Railway station: Ruhstorf
Cables: Hatzmotor Ruhstorfadrott**

Protection tax DM 2.-

**MOTORENFABRIK
HATZ KG
RUHSTORF/ROTT**

**Telephone: (085 31) 322-326
Telex: 057260**



SPARE PARTS LIST

**for
HATZ-Diesel engines
aircooled**

Engine types

Z782 · Z788 · Z789 · Z790

**8399 Ruhstorf · Rott
Postfach 12/13**

**Railway station: Ruhstorf
Cables: Hatzmotor Ruhstorfadrott**

Protection tax DM 2.-



Europe

Belgien
Belgium
Belgique
Belgio
Belgica

Waremme

* Import Moes S.P.R.L.
Chaussée Romaine
4370 Waremme

(0 19) 324.96
Cables: Impormoes
Waremme

Dänemark
Denmark
Danemark
Danimarca
Dinamarca

Taastrup

* Dansk Wimex A/S.
Kogevej 32
2630 Taastrup

(01) 99 60 66
Telegr.: Wimexdan

Großbritannien
Great Britain
Angleterre
Inghilterra
Inglaterra

Earl Shilton

* Hatz Concessionaires Ltd.
49 Church Street,
Earl Shilton-Leicester LE9 7EN

(04 55) 4 36 45
Telex: 341693

Aberdeen

Thomas W. Stewart & Co. Ltd.
Craigshaw Road
West Tullos
Industrial Estate
Aberdeen

25127

Cardiff

Plant Repairs & Services
(South Wales) Ltd.
Penarth Road
Cardiff - South Wales

02 22 — 70 73 41
Telex: 497345

Carlisle

Rickerby Ltd.
Currock Road
Carlisle - Cumberland

Carlisle 2 75 21
Telex: 64181

Chelmsford

Chelmsford Plant Sales Ltd.
Regina Road
Chelmsford - Essex

6 85 79
54601

* = Vertretung, Representation, Représentation, Representación, Rappresentaza

Großbritannien
Great Britain
Angleterre
Inghilterra
Inglatierra

Edinborough

Construction Tools Electric Co.
26, Ballantine Road
Leith

031 554 6675

Glasgow

Stewart Plant Sales Ltd.
Townmill Road
Glasgow G 31 3AR

0 41 -- 5 54 -- 68 81
Telex: 77278

Heywood

Frank K. Miles (Spares) Ltd.
Back Manchester Street
Heywood -- Lancs.

07 06 -- 60 128 / 9

Leeds

Robson (Power Tools) Ltd.
12, Wortley Moor Lane
Leeds

63 23 11

Lidd

Obart (B.M.) Ltd.
18, New Street
Lidd -- Kent

Lidd 20 20 8

Lincoln

Dolan Plant Sales Ltd.
The Quarry
Waddington

Waddington 432
Telex: 56321

London

Lewis & Lewis Ltd.
School Road
North Acton
London NW 10

01 -- 965 -- 6757

Meriden

David Barton Ltd.
Walsh Lane
Meriden - Warwicks

0 67 -- 62 -- 354 / 399

Großbritannien
Great Britain
Angleterre
Inghilterra
Inglaterra

Nottingham
Munro Plant Ltd.
Lenton Works
400, Derby Road
Nottingham

74277

Uttoxitea
Trenchex Plant Sales Ltd.
Dove Fields
Uttoxitea, Staffs. ST 14 8ER

Uttoxitea 3731
Telex: 36552

Wimborne
Lewis & Lewis (Southern) Ltd.
Fern Down Industrial Estate
Statehill
Wimborne—Dorset

Fern Down
020—17—6171

Northern Ireland

Belfast
Robert Craig & Sons
(Engineering) Ltd.
Great George's Street
Belfast - Ireland

02 32 — 3 29 71
Telex: 74494

Eire

Dublin
* Diesel Services Limited
20—24 Upper Sheriff Street
Dublin — 1 / Rep. of Ireland

4 77 18
Telegramm: Dieserv

Finnland
Finland
Finlande
Finnlandia
Finlandia

Helsinki
* Hanke Oy
Levytie 4
SF 00810 Helsinki 81

Tel. 780 633
Telex: 12-1333 SF
Cables:
Hanke Sf. Helsinki

Frankreich
France
France
Francia
Francia

Aulnay-sous-Bois
**Société Hatz-France
9—13, rue Henri Becquerel
Zone Industrielle
93 — Aulnay-sous-Bois

929.58.46
Telex: 60 007

* = Vertretung, Representation, Représentation, Representación, Rappresentaza

** = Niederlassung, Factory branch, Filiale, Establecimiento, Colonia

Griechenland	Thessaloniki	982 11/13/15
Greece	* Apostolidis & Co. AG	
Grece	Maschinenfabrik u. Gießerei	
Grecia	Industrial Area Sindos	
Grecia	Thessaloniki	
Island	Reykjavik	20680 (10 Lines)
Iceland	* Landssmidjan	Cables:
Islande	Purchasing Department	Landssmidjan
Island	Reykjavik	
Islandia		
Italien	Milano	470.101 — 470.134
Italy	Loro & Parisini	(15 Linee)
Italie	Via Savona 129	Magutt-Milano
Italia	I - 20144 Milano	Telex: 32 407
Italia		
Luxemburg	Esch-sur-Alzette	54.79.66
Lusemburg	Polyma S.A.	
Luxembourg	Coin rues Fr. Conven et	
Lussenburgo	H. Dunant	
Lusemburgo	Esch-sur-Alzette	
	(Grand Duché de Luxembourg)	
MALTA	Gozo	Gozo 76568
MALTA	Michael Galea	Cable Address
MALTE	98, Racecourse Street	Pergolate
MALTA	Xaghra, Gozo	
MALTA		
Niederlande	Culemborg	(03450) 4147
Netherlands	**Hatz Nederland B.V.	Telex: 0044/47787
Pays-Bas	Postbus 55	
Olanda	Anthonie van Diemenstraat 38	
Paises Bajos	Culemborg	
Norwegen	Oslo	(02) 23 61 80
Norway	* Industriediesel A/S	Cables: Nortrade
Norvege	Kjelsasveien 174	
Norvegia	Korsvoll — Oslo 8	
Norvega		

* = Vertretung, Representation, Représentation, Representación, Rappresentaza

** = Niederlassung, Factory branch, Filiale, Establecimiento, Colônia

Österreich

Austria
Autriche
Austria
Austria

Wien

Otto Eisenwagen
A-1030 Wien VII
Neubaugasse 56

Tel. 93 20 772

Portugal

Portugal
Portugal
Portogallo
Portugal

Porto

* Ed. Ferreirinha & Irmao, Lda.
Motores e Maquinas EFI,
S.A.R.L.
Rua da Boa Nova 125/163
Caixa postal 44,
Porto

2 55 71/2
Cables: Edfir-Porto
Telex: 22 322
EDFIR P.

Schweden

Sweden
Suède
Svezia
Sueca

Stockholm-Bandhagen

* T. Lindstam AB
Harpundsvägen 201
Box 31
124 21 Bandhagen 1

08/47 25 75
Telex: 005 411 164
ü. Olsonwright
Stockholm

Schweiz

Switzerland
Suisse
Svizzera
Suiza

Altendorf

**Motorenfabrik Hatz AG
Lidwil
CH-8852 Altendorf

Tel.: 055 632383/84
Telex: 75 706
Telegr.: Hatzmotor
Altendorf SZ

Spanien

Spain
Espagne
Spagna
Espana

Figueras (Gerona)

* Société Industrias FITA
San Lazaro 54
Figueras (Gerona)

241 300
Telex: 0058 57177

Türkei

Turkey
Turquie
Turchia
Turcia

Gaziosmanpasa-Istanbul

* Pancar-Motor
Sanayi ve Ticaret T.A.S.
Yassiviran Asfalti Üzerinde
Gaziosmanpasa-Istanbul

Tel.: 23 31 50/51/56
Telegr.:
Pancarmotor
Telex: 22 829
pamo tr

* = Vertretung, Representation, Représentation, Representación, Rappresentaza

** = Niederlassung, Factory branch, Filiale, Establecimiento, Colonia



Africa

Äthiopien

Ethiopia
Ethiopia
Etiopa
Etiopa

Addis Ababa

* Leon's Mercantile
Leon K. Erzingatzian
Abuna Petros Street
P.O.Box 249,
Addis Ababa

114 553, 111 765,
112 501
Workshop: 116 836
Telex: 21191 Addis
Cables:
LERZINGATZIAN
Addis Ababa

Algerien

Algeria
Algerie
Algeria
Algeria

Alger

* Sté. Dieelec
Rue Kaddour Rahim
Hussein-Dey
Alger

77.26.47/77.29.59
DIESELEC - ALGER

Angola

Angola
Angola
Angola
Angol

Luanda

* Ed. Ferreirinha & Irmao (Angola)
— Motores e Máquinas EFI,
SARL
P.O.Box 306
Rua Duarte Pacheco Pereira, 24
Luanda

30343, 30344, 30345
PBX 4101/4102
SOTECMA LUANDA

Elfenbeinküste

Ivory Coast
Cote-D'Ivoire
Costa-D'Avorio
Costade Marfil

Abidjan

* Societe Abidjan-Industrie (ABI)
B.P. 343
Abidjan — Côte d'Ivoire

35-24-60, 35-43-60
Telex: TELONDE
ABIDJAN 742

Gabon

Gabun
Gabon
Gabon
Gabon

Libreville

* SO. GA. TOL.
B.P. 706
Libreville

214 - 77
Telex: 5259 GAB
Cable: SOGATOL

Gambia

Gambia
Gambia
Gambia
Gambia
Gambie

Banjul

* Breckwoldt + Co. (Gambia) Ltd.
P.O.Box 281 and 282
23, Buckle Street
Banjul

441
cable: brewo banjul
telex: booth bth gv 21
(please phone mr.
rosenstock)

* Vertretung, Representation, Représentation, Representación, Rappresentaza

Ghana Ghana Ghana Ghana Ghana	Accra Machinery Service Division of Ghana Consolidated Machinery & Trading Comp. Ltd. P.O.Box 3400 Knutsford Avenue Accra	63921 Telex: 2008
Kamerun Camerun Cameroun Cameroun Camerun	Douala * Sté. Socomi Boite Postale 609 Douala	42-35-40 à Douala Somatin Douala Telex: 5272 Douala
Kanarische Inseln Canari Islands Iles Canaries Isole Canarie Islas Las Canarias	Las Palmas * Enrique Siemens Suc. L. Siemens Box 252 Buenos Aires, 7-11 Las Palmas de Gran Canaria	220411 - 215473 Telex: 95149 ENSIE E Telegr.: Siemens - Las Palmas
Kenia Kenya Kenya Kenya Kenya	Nairobi * Wigglesworth & Co. Kenya Ltd. P.O.Box 30092 Kingston Road Nairobi Industria Area Nairobi	Tel.: Nairobi 57022/32 Telex: Nairobi 22241 Telegr.: PETTINATO NAIROBI
Libyen Libya Libye Libia Libia	Benghazi * Mchamed Feitury Organisation P.O.Box 3010 Benghazi	5404 Cable: FEITURYCO BENGHAZI
Mali Mali Mali Mali Mali	Dakar Ets. Freysseline & Fils B. P. No. 1143 Rond-Point Autoroute - Lamine Gueye Dakar / Senegal	369-99 Cables: FREYSSELINE DAKAR Telex: 419

* = Vertretung, Representation, Représentation, Representación, Rappresentaza

Marokko Maroc Marocco Marruecos Marueco	Casablanca Somatel 68, rue Mohammed Diouri Casablanca	608-41. Cable: SOMATEL- CASABLANCA Telex: 21835
Mocambique Mocambique Mozambique Mozambico Mozambique	Lourenco Marques * Soc. Africana de SAFRIMEX Importacao e Exportacao, Lda. Caixa postal 1859, Lourenco Marques	5156 Safrimex L. M.
Nigeria Nigeria Nigeria	Lagos * U.A.C. of Nigeria Ltd. M. & E. Division P.M. BAG 1015 Ebute Metta Lagos/Nigeria	Tel.: Lagos 43 310 Telegr.: Mequip/ Lagos
Sao Tome Sao Tome Sao Tome Sao Tome Sao Tome	Sao Tome * L. Batista Caixa Postal 76 Sao Tome	
Senegal Senegal Sénégal	Dakar * Ets. Freysseline & Fils B.P. No. 1143 Rond-Point Autoroute - Lamine Gueye Dakar	369-99 Cables: FREYSSELINE DAKAR Telex: 419
Sudan Sudan Soudan	Khartoum * The Walter Drilling & Engineering Co. Ltd. P.O.Box 1073 Khartoum	31552 — 31946 Telegr.: „WADRICOLI“

* Vertretung, Representation, Représentation, Representación, Rappresentaza

Südafrika South Africa Afrique Du Sud Africa Africa Del Sur	Johannesburg * HATZ Diesels South Africa (PTY) Ltd. Midmacor House, Cor. Cross & Bosman Streets Ophirton P.O.Box 6036 Johannesburg	Tel.: 836-0721/8 Telegr.: MIDCOR Telex: J 7628
Süd-West-Afrika South West Africa Sud-West-Africa Africa del Sur Este	Windhoek South West Engineering Company (Pty.) Ltd. 186, Jan Jonkerweg, Ausspannplatz P.O.Box 5052 Windhoek	22463 Telex: 48-707 Telegr.: Swenco
Tunesien Tunesia Tunesia Tunes	Tunis * Sté. SO TU MO S.A. Société Tunisienne des Moteurs 131, Avenue de la Liberté Tunis	289.355 — 3 lignes groupées
Uganda Uganda Ouganda	Kampala * Wigglesworth & Co. Uganda Limited P.O.Box 7127 Plot 71, Seventh Street Kampala	Tel.: Kampala 42628 Telegr.: PETTINATO KAMPALA
Republique Du Zaire Zaire Zaire	Kinshasa Bureau Technique BIA S.P.R.L. B.P. 8843 Route Trafic-Lourd-Limete Kinshasa 1	77797 - 98 Cable: BIA-Kinshasa Telex: 275 BIA-KIN

* Vertretung, Representation, Représentation, Representación, Rappresentaza

**Zentral-Afrikanische
Republik**
Central African
Republic
Republique Centre-
Afrique (R.C.A.)
Republica Centrale
Africa
Republica Central
Del Africa

Bangui
* Oubangui-Automobile
B.P. 158.524 & 1379
Bangui

Telex: Bangoto 5230
Adr.: télégraphique:
Banguiauto-Bangui

* Vertretung, Representation, Représentation, Representación, Rappresentaza



America

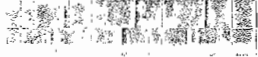
Bolivien

Bolivia
Bolivie
Bolivia
Bolivia

La Paz

Importadora Zbinden y Cia. S.A.
Calle Jenaro Sanjines No. 348
La Paz

2-3225



Brasilien

Brazil
Bresil
Brasile
Brasil

Caxias do Sul-RGS

* Agrale S.A.
Tratores e Motores
Rua Sinimbu, 1260
Caixa postal, 1311
95.100 - Caxias do Sul-RGS

213500

Telegr.: „AGRALE“
Telex: Publico 28892

Canada

Canada
Canada
Canada
Canada

Alberta

Mumford Medland Ltd.
5711 6th Street, S.E.
Calgary

Mumford Medland Ltd.
10809 — 105th Avenue
Edmonton

British Columbia

Pacific Engines & Equipment
Ltd.
1391 William Street
Vancouver 3,
V5L 2P6

683 — 4484

Telex: 04-54463

Manitoba

Mumford Medland Ltd.
576 Wall Street
Winnipeg 10

New Brunswick

Consolidated Engines &
Machinery Co. Ltd.
P.O.Box 848
Moncton

* Vertretung, Representation, Représentation, Representación, Rappresentaza

Canada
Canada
Canada
Canada
Canada

Newfoundland

Seaboard GM Diesel Ltd.
710 Windmill Road
Dartmouth, Nova Scotia

Nova Scotia

Seaboard GM Diesel Ltd.
710 Windmill Road
Dartmouth

Ontario

Ontario Diesel Ltd.
Box 115
80 Federal Road
Welland

Prince Edwards Is.

Consolidated Engines &
Machinery Co. Ltd.
P.O.Box 848
Moncton, New Brunswick

Quebec

Consolidated Engines &
Machinery Co. Ltd.
8550 Delmeade Road, Town of
Mount Royal
Montreal 9

Saskatchewan

Mumford Medland Ltd.
1250 St. John Street
Regina

Mumford Medland Ltd.
1729 Ontario Avenue
Box 1525
Saskatoon

735 / 0282
Telex: 21-5152

Chile Chile Chili Cile Chile	Santiago de Chile * Robert Bosch de Chile Equipos y Maquinarias S.A. Av. San Eugenio 68 - Nunoa P.O.Box 832 Santiago de Chile	259648 Telex: Emasa SGO 353 Cables: CHILEBOSCH
Columbien Columbia Columbie Columbia Columbia	Barranquilla * General Sales Corporation, Ltda. Calle 37 No. 46-03 Airmail Box 395, P.O.Box 519	12-501 cable: Maeco
Costa Rica Costa Rica Costa Rica Costa Rica Costa Rica	San Jose * Electro Mercantil Ltda. Apartado 10.091 San Jose, C.A.	216788 - 216794 Elmerc Sanjose Costa Rica Telex: 222
Ecuador Ecuador Equateur Ecuador Ecuador	Guayaquil * Cia. Comercial Pan-Americana C.A. General Cordova No. 918-922 Apartado 4964 Guayaquil	306 410 Cable: Panamericana Guayaquil
El Salvador El Salvador El Salvador El Salvador El Salvador	San Salvador * TEMSA Tecnico Mercantil S.A. 3 Calle Poniente 314, frente a la Cruz Roja San Salvador	214367
Guatemala Guatemala Guatemala Guatemala Guatemala	Ciudad de Guatemala * TEMSA Tecnico Mercantil S.A. 8 Avenida 15-17 Zona 1 Apartado 659 Guatemala City	21 418 Telegr.: Temerca

* = Vertretung, Representation, Représentation, Representación, Rappresentaza

Guayana

Guayana
 Guayana
 Guayana
 Guayana

Honduras

Honduras
 Honduras
 Honduras
 Honduras

Jamaika

Jamaica
 Jamaïque
 Jamaica
 Jamaica

Mexico

Mexico
 Mexique
 Messico
 Mexico

Peru

Peru
 Perou
 Peru
 Peru

Puerto Rico

Puerto Rico
 Puerto Rico
 Puerto Rico
 Puerto Rico

Surinam

Surinam
 Suriname
 Guayana Holandesa
 Guayana Holandesa

Georgetown

Wieting & Richter, Ltd.
 P.O.V. 473
 Waterstreet
 Georgetown

Tegucigalpa

Corporacion Comercial S.A.
 de C.V.
 Apartado 207
 Tegucigalpa

Kingston

ATCO Ltd.
 36, Hagley Park Road
 P.O.B. 412
 Kingston 10, Jamaica, W.I.

Mexico

Motores de Combustion
 Interna Wisconsin S.A.
 Ave. Juarez No. 157
 Mexico 1. D.F.

Lima

* Europa Diesel S.A.
 Apartado (P.O.B.) 1568
 Lima 1

San Juan

Motorcentro Destro Inc.
 G.P.O. 3707
 San Juan

Paramaribo

Curacaosche
 Handel-Maatschappij
 (Suriname) N.V.
 Postbus 1819
 Paramaribo

22-6790

Cable: MOTZ

936-4935-8

Cable: ATCOLIM

45 32 30

Telegr.:
 EUDISA-LIMA

725-7513

4343

curtrading
 paramaribo/
 suriname

* Vertretung, Representation, Représentation, Representación, Rappresentaza

USA
USA
USA
USA
USA

Wisconsin

* Teledyne Wisconsin Motor
1910 South 53rd Street
Milwaukee/Wisconsin 53246

414-384-5800
Telex: 26629

Alabama

Parts Service Company
225 Clayton Street
Montgomery

Alabama
36104

Alaska

B & C Supply Corp.
P.O.Box 1679
Anchorage

Alaska
99501

Wagner Industrial Inc.
2000 S.E. 11th Ave.
Portland

Oregon
91214

Arizona

Pratt-Gilbert
P.O.Box 2230
Phoenix

Arizona
85002

Arkansas

RCH Distributors, Inc.
P.O.Box 173
3150 Carrier
Memphis

Tennessee
38101

Keeling Supply Company
P.O.Box 778
North Little Rock

Arkansas
72206

California

E. E. Richter & Son, Inc.
6598 Hollis Street
Emeryville

California
94608

Lanco Engine Services, Inc.
12915 Weber Way
Hawthorne

California
90252

* = Vertretung, Representation, Représentation, Representación, Rappresentaza

USA
USA
USA
USA
USA

Colorado

Central Equipment Co.
4477 Garfield Street
Denver

Colorado
80216

Connecticut

John Reiner & Company, Inc.
94-15 150th Street
Jamaica

New York
11435

Delaware

Jos. L. Pinto, Inc.
719 E. Baltimore Pike
East Lansdowne

Pennsylvania
19050

Ronconi Equip. Co.
8815 Telegraph Rd.
Lorton, VA 22079

Virginia
22079

Florida

Marine Industrial Equipment
Corp.
P.O.Box 39, Station G
710 Haines Street
Jacksonville

Florida
32206

P. H. Neff & Sons, Inc.
7270 N.W. 41st Street
P.O.Box 44-216
Miami

Highway Equip. & Supply Co.
1016 West Church Street
Orlando

Florida
32802

Industrial Supply Corp.
P.O.Box 5116
Tampa

Florida
33605

Parts Service Company, Inc.
225 Clayton Street
Montgomery

Alabama
36104

USA
USA
USA
USA
USA

Georgia

Blalock Machinery &
Equipment Co. Inc.
225 Forsyth Street, S.W.
Atlanta

Wilder Motor Co.
301-15th Ave.
Nashville

Hawaii

Lanco Engine Services, Inc.
3140 Koapaka St.
Honolulu

Idaho

Arnold Machinery Co. Inc.
P.O.Box 77425
111 E. 39th Street
Boise

Arnold Machinery Company,
Inc.
P.O.Box 2220
Salt Lake City

Wagner Industrial Inc.
2000 S.E. 11th Ave.
Portland

Illinois

Industrial Engine & Parts Co.
1133 W. Pershing
Chicago

Allied Construction Equipment
Co.
4015 Forest Park Avenue
St. Louis

Engine Power, Inc.
11811 W. Silver Spring Road
Milwaukee

Georgia
30302

Tennessee
37203

Hawaii
96819

Idaho
83707

Utah
84110

Oregon
97214

Illinois
60623

Missouri
63108

Wisconsin
53225

USA
USA
USA
USA
USA

Indiana

Eagle Machine Co., Inc.
635 E. Market Street
Indianapolis

Atlas Machine & Supply, Inc.
1326-30 W. Jefferson
Louisville

Industrial Engine & Parts Co.
1133 W. Pershing Road
Chicago

Indiana

Cincinnati Engine & Parts
Company, Inc.
2863 Stanton Avenue
Cincinnati

Iowa

Port Huron Machinery Co.
301 E. Court Avenue
Des Moines

Kansas

Harley Sales Company
505 South Main Street
Wichita

Kentucky

Womwell Automotive Parts
Co. Inc.
240 Clark Street
Lexington

Atlas Machine & Supply, Inc.
1326-30 W. Jefferson Street
Louisville

Cincinnati Engine & Parts
Company
2863 Stanton Avenue
Cincinnati

Indiana
46207

Kentucky
40203

Illinois
60623

Ohio
45206

Iowa
50308

Kansas
67202

Kentucky
40501

Kentucky
40203

Ohio
45206

USA
USA
USA
USA

Louisiana

Wm. F. Surgi Equipment Corp.
1149 Tchoupitoulas Street
New Orleans

Louisiana
70150

Maine

Diesel Engine Sales &
Engineering Corp.
Fish Pier Road
Boston

Massachusetts
02210

Maryland

Ronconi Equipment Co.
8815 Telegraph Rd.
Lorton

Virginia
22079

Massachusetts

Diesel Engine Sales &
Engineering Corp.
Fish Pier Road
Boston

Massachusetts
02210

Michigan

R. G. Moeller Co.
14415 Meyers Road
Detroit

Michigan
48227

R. G. Moeller Co.
2564 Chicago Drive, S.W.
Grand Rapids

Michigan
49509

Engine Power, Inc.
11811 W. Silver Spring Drive
Milwaukee

Wisconsin
53225

Minnesota

Engine Power, Inc.
6336 Lakeland Avenue, North
Minneapolis

Minnesota
55429

USA
USA
USA
USA
USA

Mississippi

Wm. F. Surgi Equipment Co.
1149 Tchoupitoulas Street
New Orleans

Louisiana
70150

RCH Distributors, Inc.
P.O.Box 173
3150 Carrier St.
Memphis

Tennessee
38101

Missouri

A. A. Klughartt Machinery
Company
1205 Woodswether Road
Kansas City

Missouri
64105

Allied Construction Equipment
Company
4015 Forest Park Avenue
St. Louis

Missouri
63108

Montana

Midland Implement Co. Inc.
P.O.Box 2533
402 Daniels Street,
N.P. Industrial Site
Billings

Montana
59101

Nebraska

Port Huron Machinery &
Supply Company
801--813 "Q" Street
Lincoln

Nevada

E. E. Richter & Son, Inc.
6598 Hollis Street
Emeryville

California
94608

Lanco Engine Services, Inc.
12915 Weber Way
Hawthorne (Los Angeles)

California
90252

USA
USA
USA
USA

Nevada
Arnold Machinery Company, Inc.
2975 W. 21 St. South
Salt Lake City

New Hampshire
Diesel Engine Sales &
Engineering Corp.
Fish Pier Road
Boston

New Jersey
John Reiner & Company, Inc.
94--15 150th Street
Jamaica

Jos. L. Pinto, Inc.
719 E. Baltimore Pike
East Lansdowne

New Mexico
Central Motive Power Inc.
808 Second Street, N.W.
Albuquerque

New York
John Reiner & Co. Inc.
946 Spencer Street
Syracuse

John Reiner & Co., Inc.
94--15 150th Street
Jamaica

North Carolina
King-McIver Sales, Inc.
New Burnt Poplar Rd.
P.O.Box 30088
Greensboro

Utah
84110

Massachusetts
02210

New York
11435

Pennsylvania
19050

New Mexico
87101

New York
13208

New York
11435

North Carolina
27420

USA
USA
USA
USA
USA

North Dakota

Northern Engine & Supply Co.
2710 Third Avenue North
Fargo

North Dakota
58102

Ohio

Cincinnati Engine & Parts
Co. Inc.
2863 Stanton Avenue
Cincinnati

Ohio
45206

Allied Farm Equipment, Inc.
1066 Kinnear Road
Columbus

Ohio
43212

Allied Farm Equipment, Inc.
3721 Mahoning Avenue
Youngstown

Ohio
44515

Eagle Machine Company, Inc.
635 E. Market Street
Indianapolis

Indiana
46207

Oklahoma

Harley Sales Company
P.O.Box 45450
Tulsa

Oklahoma
74145

Oregon

Messrs.
Wagner Industrial, Inc.
2000 S. E. 11th Avenue
Portland/Oregon 97214

Oregon
97210

Arnold Machinery Co.
P.O.Box 2220
Salt Lake City

Utah
84110

USA
USA
USA
USA
USA

Pennsylvania

Hamilton Equipment, Inc.
P.O.Box 478
Ephrata

Jos. L. Pinto, Inc.
719 E. Baltimore Pike
East Lansdowne

Contractors Equipment Service
Co.
1415 Brighton Road, N.S.
Pittsburgh

Allied Farm Equipment, Inc.
3721 Mahoning Avenue
Youngstown

Pennsylvania
19050

Pennsylvania
15212

Ohio
44515

Rhode Island

Diesel Engine Sales &
Engineering Corp.
Fish Pier Road
Boston

Massachusetts
02210

South Carolina

King-Mclver Sales Inc.
P.O.Box 20088
New Burnt Poplar Rd.
Greensboro

North Carolina
27420

South Dakota

Nortern Engine & Supply
2710 Third Avenue North
Fargo

North Dakota
58102

Tennessee

Wilder Motor Co.
301 - 15th Avenue
Nashville,

Tennessee
31203

USA	West Virginia	West Virginia
USA	Engine Sales & Service Co., Inc.	25301
USA	919 Virginia Street, East	
USA	Charleston	
USA	Contractors Equipment Service Co.	Pennsylvania
	1415 Brighton Road, N.S.	15212
	Pittsburgh	
	Ronconi Equipment Co.	Virginia
	8815 Telegraph Rd.	22079
	Lorton	
	Wisconsin	Wisconsin
	Engine Power, Inc.	53225
	11811 W. Silver Spring Drive	
	Milwaukee	
	Wyoming	Wisconsin
	Engine Power, Inc.	53246
	11811 W. Silver Spring Drive	
	Milwaukee	
	Central Equipment Company	Colorado
	4477 Garfield	80216
	Denver	
	Midland Implement Company Inc.	Montana
	P.O.Box 2533	59101
	Billings	
	Arnold Machinery Company Inc.	Utah
	P.O.Box 2220	84110
	Salt Lake City	
Venezuela	Caracas	76 82 51, 76 54 11
Venezuela	* Motores y Maquinarias, C.A.	Cable:
Venezuela	(MYM)	BEVREL CARACAS
Venezuela	Apartado Postal 6034	
Venezuela	Caracas	

* = Vertretung, Representation, Représentation, Representación, Rappresentaza



Asia

Cypem
Cyprus
Chypre
Cipro
Chipre

Nicosia
Chr. Mavromatis & Sons Limited
55, Aeschylus Street
P.O.Box 1683
Nicosia

63685, 65468
Telex: 2363
Cable: Promitheus
Nicosia

Indonesien
Indonesia
Indonesie
Indonesia
Indonesie

Jakarta
* Setio Indo Trading Co.
Sole Agent "HERBINDO"
Jalan Hayam Wuruk 78 A
P.O.Box 2595
Jakarta

Tel.: 24555, 26994
Cable: HERBCHEM

Iran
Iran
Iran
Iran
Iran

Teheran
* Shoreh Trading Co. Ltd.
188 Eisenhower Avenue
Eskandari Road Cross
P.O.Box 2290
Teheran - 13

921034 - 7
Telex: 2763 IRANIS
Cable: Polkar
Teheran

Japan
Japan
Japon
Japone
Japon

Tokio
* Western Trading Co. Ltd.
4-6 Roppongi
2-Chome
Minato-Ku
Tokio - 106

(583) 2111
Telex: Westraj
0242 - 2422
Cable: Westra

Kuwait
Kuwait
Kuwait
Kuwait
Kuwait

Kuwait
* Sabah International
Merchant, Import &
Manufacturer's Representative
P.O.Box 1026
Kuwait / Arabian Gulf

424 502
Teleg.: STARFISH
KUWAIT

* = Vertretung, Representation, Représentation, Representación, Rappresentaza

Libanon
Lebanon
Liban
Libano
Libano

Beirut

* Itani & Shihab Trading Co.
Patriarche Hoyek Street
Khan — Antoun Bey
P.O.Box 4537
Beirut

249432 - 294632
Istraco - Beirut

Malaysia
Malaysia
Malaysia
Malaysia
Malaysia

Kuala Lumpur

* ENERDA SDN. BHD.
23, Jalan Sungei Besi
Kuala Lumpur

Tel.: 7 11 487
Telex: KLTX 440
Cable:
GOODENGINE

Singapur

**Kuala Lumpur
(Malaysia)**

* ENERDA SDN. BHD.
23, Jalan Sungei Besi
Kuala Lumpur

Tel.: 7 11 487
Telex: KLTX 440
Cable:
GOODENGINE

Philippinen
Philippines
Philippines
Filipine
Filipinas

Manila

* MEDALIST INDUSTRIES, Inc.
CCC Bldg., Buendia Avenue
Makati, Rizal
P.O.Box 3245
Manila

Tel.: 883051
884614
889821
Telex:
7222393 MDL PH
Cable: MEDALIST

Saudi Arabien
Saudi Arabia
Arabie Saoudite
Saudi Arabien
Saudi Arabien

Jeddah

ALFADEL ESTABLISHMENT
TRADING — CONTRACTING
Mecca Road — Km 3
P.O.Box 2349
Jeddah

Tel.: 32344
Cable: MORTACON

Süd Vietnam
Süd Vietnam
Süd Vietnam
Süd Vietnam
Süd Vietnam

Saigon

* Messrs. Vinimac S.A.
747 (2nd Floor) Tran Hung Dao
Saigon

* = Vertretung, Representation, Représentation, Representación, Rappresentaza

Taiwan
Taiwan
Taiwan
Taiwan
Taiwan

Taiwan

* Hung Yeh Trading Corporation
728, Chung Shan Road,
Chung Ho Hsiang
Taipei Hsien, Taiwan,
Republic of China
Mailing address:
P.O.Box 23, Panchao,
Taipei Hsien
Taiwan 220, Republic of China

960140 - 5, 962141 - 5,
965141 - 5 (15 wires)
Cable Adresse:
CHEM
Telex: 31102 CHEM

Chung Hsin North Area
Service Station
25, Ku Ling Street, Taipei
Taiwan 107, Republic of China

344082, 346232

Chung Hsin Central Area
Service Station
21-15 Kung Yuan Road,
Taichung
Taiwan 400, Republic of China

042 - 30241

Chung Hsin South Area
Service Station
82, Chung Shan 1st Road,
Kaohsiung
Taiwan 800, Republic of China

07 - 239071

Thailand
Thailand
Thailande
Thailandia
Thailandia

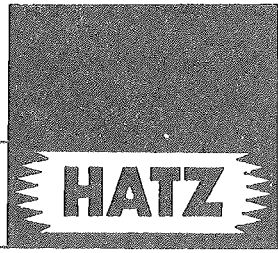
Bangkok

* Ekman & Co. Ltd.
531/1, Soi (Soi Swasdee)
Sukhumvit Road
P.O.Box 11-161
Bangkok

Telex: BK 2753
Telegr.:
„Ekmans Bangkok“

* Vertretung, Representation, Représentation, Representación, Rappresentaza

HATZ-Service



Australia

Australien

Australia
Australie
Australia
Australia

Neu-Kaledonien

New Caledonia
Nouvelle-Caledonie
Nouva-Caledonia
Nueve Caledonia

Tahiti

Tahiti
Tahiti
Tahiti
Tahiti

Neuseeland

New Zealand
Nouvelle-Zélande

Neuseeland

New Zealand
Nouvelle-Zélande

Bankstown N.S.W. 2200

* CLAE ENGINE Sales & Service
31-35 Hoskins Ave.
P.O.Box 204
Bankstown W.S.W. 2200

Noumea

* ABC-Import
Ste Minier-Mouledous & Cie
28 Rue de Verdun
B.P. 617
Nouméa
Nouvelle-Calédonie
Pacifique Sud

Papeete

* Société d'Oxygène et
d'Acétylène d'Extrême – Orient
B.P. 632
Papeete
S.T.I.C.
B.P. 129
Papeete

Wellington

* DIS Industries Limited
42 Kent Terrace
P.O.B. 2280
Wellington 1,

Penrose

DIS Industries Limited
Church Street
Penrose, Auckland

Christchurch

DIS Industries Limited
Blenheim Road
Christchurch

Tel.: (02) 709 4 777

Telex: AA 230 73

Cable: CLAE MARINE
SYDNEY

720-49

Cables:
ABC NOUMEA

2.74.06

2.81.16, 2.81.17,
2.71.00

Telex: 071 FP
COWAN
Telegr.: STIC
PAPEETE

557 - 957

Cables:
DISL Wellington 1,
New Zealand





592 - 109

41 - 485

* Vertretung, Representation, Représentation, Representación, Rappresentaza



builds

-  **single-cylinder**
-  **two-cylinder**
-  **three-cylinder**
-  **four-cylinder**

Diesel engines

aircooled fourstroke

from 1,5 to 80 HP

When ordering spare parts

Please always indicate:

1. Engine number
2. part/order-no.
3. Designation
4. Quantity

For example: **For engine no. 32 69 290**
00561903 oil sump 1 piece

5. Exact address, mentioning railway station
6. Please do not prescribe: "as quick as possible" or "immediately", but "per parcel post", "express", "airmail", or "freight" and "express-freight", etc.
7. In case there is no mode of dispatch indicated, we shall not choose the quickest, but the cheapest one.



**Original
spare parts**

**guarantee troublefree repair and operation
as well as long engine life !**

Exact orders will avoid misunderstanding !

In doubtful cases send us the damaged part !

In guarantee cases, please send us the damaged part !

Guarantee covers cost of damaged parts only.

Repairs will be charged as low as possible.

Price quotations without obligation will be supplied on request.

Repairs and part deliveries only against „cash on delivery“.

In general our normal sales- and delivery terms are applicable.

Ruhstorf/Rott, 12. 1974

Quote when ordered

Quant.

Table No.	Item No.	Part-/ Ordering No.	DESIGNATION	Quant.			
				Z782	8272	6822	0822
		00419800	GASKET SET.	1	-	-	-
		00419900	GASKET SET F.CYL.HEAD	1	-	-	-
		00569500	GASKET SET.	-	1	1	1
		00569600	GASKET SET F.CYL.HEAD	-	1	1	1
			<u>CRANKCASE</u>				
1	1	00413604	CRANKCASE) WITH ITEM NO.2-9,13-15	1	-	-	-
1	1	00564302	CRANKCASE) 28-29, TABLE 2 ITEM . . NO.20, TABLE 3 ITEM NO.24-26,33	-	1	1	1
	2	03179900	PLUG 6,5	2	2	2	2
	3	50062300	CLOSING SCREW M 10X1.	2	2	2	2
1	3A	50062400	JOINT A 10X13,5	2	2	2	2
1	4	03272301	CLOSING SCREW	1	1	1	1
1	4A	50001100	JOINT A 12X16	1	1	1	1
1	5	03212300	PLUG 8,5	3	3	3	3
1	6	50043700	CLOSING SCREW M 12X1,5.	1	1	1	1
1	7	03216700	BUSH	1	1	1	1
1	8	50043500	CAP 56	1	1	1	1
1	9	03211501	MAIN BEARING.	1	1	1	1
1	10	50025400	HEXAGON SCREW M 6X10 *.	2	2	2	2
1	11	03211900	COVER *	1	1	1	1
1	12	03212400	GASKET	1	1	1	1
1	13	03169300	STUD	2	2	2	2
1	14	03229201	CAP SCREW R 3/4 *	1	1	1	1
1	15	03298600	PIN F.MAIN BEARING.	1	1	1	1
1	16	50042300	STUD M 12X25	1	1	1	1
1	16	03286800	STUD M 12	1	1	1	1
1	17	00561903	OIL SUMP	1	1	1	1
1	18	03212100	GASKET	1	1	1	1
1	19	03212000	OIL SIEVE	1	1	1	1
1	20	50025400	HEXAGON SCREW M 6X10.	3	3	3	3
1	21	50002700	SPRING WASHER 6	3	3	3	3
1	22	50044400	CLOSING SCREW AM 22X1,5	2	2	2	2
1	23	50001600	JOINT A 22X27	2	2	2	2
		50043100	COVER 18.	1	1	1	1
		03258402	TUBE OIL SUMP.	1	1	1	1
		03331801	CAP SCREW	1	1	1	1
1	24	50080800	ALLEN SCREW M 8X42.	12	12	12	12
1	26	00318800	DIPSTICK	1	1	1	1

*NOT NECESSARY FOR MOUNTING OF FUEL FEED PUMP

Table No.	Item No.	Quote when ordered		Quant.			
		Part/ Ordering No.	DESIGNATION	Z 782	Z 788	Z 789	Z 790
1	27	40022400	WASHER 8X12X2	1	1	1	1
1	28	03069003	CAP SCREW	1	1	1	1
1	29	40023100	WASHER 23X29X3.	1	1	1	1
1	30	00363500	COVER WITH TUBE	1	1	1	1
1	30A	03438000	PIPE CLIP	1	1	1	1
1	31	03180500	OIL SPLASH PROTECTION	1	1	1	1
1	32	03180400	SIEVE	1	1	1	1
1	33	50016700	DISC 8,4	1	1	1	1
1	34	50022900	HEXAGON NUT M 8	1	1	1	1
1	35	50038800	STUD M 8X55	1	1	1	1
1	36	03050100	VALVE PLATE	1	1	1	1
1	37	03149700	VALVE DIAPHRAGM	1	1	1	1
1	38	03158800	STROKE LIMITATION	1	1	1	1
1	39	03136500	PRESSURE SPRING	1	1	1	1
1	40	03158900	GASKET	1	1	1	1
1	41	50000900	JOINT A 8X11,5	2	2	2	2
1	42	40028400	HEXAGON NUT M 8	1	1	1	1
1	43	03211800	GASKET	1	1	1	1
1	44	03121300	FLANGE	1	1	1	1
1	45	50051900	ALLEN SCREW M 8X20.	2	2	2	2
1	46	40038100	OIL FILTER W 9.20	1	1	1	1
<u>OIL RELIEF VALVE</u>							
1	47	00328801	OIL RELIEF VALVE	1	1	1	1
1	48	50001600	JOINT A 22X27	1	1	1	1
1	49	50044300	CLOSING SCREW M 22X1,5.	1	1	1	1
1	50	50003000	SPRING WASHER 12 *	2	2	2	2
1	50	50063200	SPRING WASHER 12 V. *	1	1	1	1
1	51	50023900	HEXAGON NUT M 12 *	2	2	2	2
1	51	50063500	HEXAGON NUT M 12 ZNBK	1	1	1	1
		50063400	CABLE SHOE A 12X9,5 *	1	1	1	1
<u>CRANKSHAFT</u>							
2	1	00410700	CRANKSHAFT WITH COVER 25	1	-	-	-
2	1	00644500	CRANKSHAFT WITH COVER 25	-	1	-	-
2	1	00530200	CRANKSHAFT WITH COVER 25	-	-	1	1
2	2	50043200	COVER 25	2	2	2	2

*FOR ELECTRIC STARTER

Quote when ordered

Table No.	Item No.	Part-/ Ordering No.	DESIGNATION	Quant.			
				Z 782	Z 788	Z 789	Z 790
2	2A	03123700	BUSH	1	1	1	1
2	3	03121602	COUNTER WEIGHT	3	2	2	2
2	3	03349601	COUNTER WEIGHT	-	1	1	1
2	4	50002900	SPRING WASHER 10	6	6	6	6
2	5	50054200	ALLEN SCREW M10X30	6	4	4	4
2	5	50054800	ALLEN SCREW M10X45	-	2	2	2
2	6	00363700	BEARING SUPPORT WITH ITEM NO.7.	1	1	1	1
2	7	50056700	ALLEN SCREW M 12X55	2	2	2	2
2	8	03213400	CENTER BEARING	1	1	1	1
2	10	50057200	ALLEN SCREW M 12X110	2	2	2	2
2	11	50011200	FITTING KEY A 6X6X25	1	1	1	1
2	12	40023400	WASHER 32X38X3.	1	1	1	1
2	13	03120200	GEARWHEEL	1	1	1	1
2	14	50003200	SPRING WASHER 16.	1	1	1	1
2	15	50057300	ALLEN SCREW M 16X35	1	1	1	1
			<u>BEARING FLANGE</u>				
2	16	00363801	BEARING FLANGE WITH ITEM NO.16-18	1	1	1	1
2	16	03121803	BEARING FLANGE	1	1	1	1
2	17	03213500	MAIN BEARING	1	1	1	1
2	18	50117400	OIL SEAL 64X90X10	1	1	1	1
2	19	40037100	WASHER 152,5X157,5X2,5.	1	1	1	1
2	20	50040100	STUD M 10X20	4	4	4	4
2	21	50002900	SPRING WASHER 10.	4	4	4	4
2	22	50023500	HEXAGON NUT M 10.	4	4	4	4
			<u>PISTON</u>				
2	23	00364000	PISTON WITH ITEM NO.24,28-29.	2	-	-	-
2	23	00639100	PISTON WITH ITEM NO.24,28-29.	-	2	-	-
2	23	00530300	PISTON WITH ITEM NO.24,28-29.	-	-	2	2
2	24	00573800	PISTON RING SET-82(F.2 PISTON).	1	-	-	-
2	24	00574800	PISTON RING SET-90(F.2 PISTON).	-	1	1	1
2	25	50108300	COMPRESSION RING-82	2	-	-	-
2	25	50086900	COMPRESSION RING-90	-	2	2	2
2	26	50108500	TAPER FAC.COMPRESSION RING-82	2	-	-	-
2	26	50087000	TAPER FAC.COMPRESSION RING-90	-	2	2	2
2	27	50108700	NARR.FAC.OIL CONTROL RING-82.	2	-	-	-
2	27	50087100	NARR.FAC.OIL CONTROL RING-90.	-	2	2	2
2	28	50108200	GUDGEON PIN	2	-	-	-

Quote when ordered

Quant.

Table No.	Item No.	Part- Ordering No.	DESIGNATION	Quant.			
				Z782	Z788	Z789	Z790
2	28	50080700	GUDGEON PIN	-	2	2	2
2	29	50020700	CIRCLIP 28X1,2.	4	4	4	4
			CONNECTING ROD				
2	30	00530400	CONNECTING ROD WITH ITEM NO.31-32	2	2	2	2
2	31	03170400	CONNECTING ROD SCREW	4	4	4	4
2	32	<u>03012800</u>	BUSH F.CONNECTING ROD	2	2	2	2
2	33	03213800	BIG END BEARING	2	-	-	-
2	33	03341300	BIG END BEARING	-	2	2	2
			CYLINDER				
2	34	03103900	CYLINDER	2	-	-	-
2	34	00566600	CYLINDER WITH PISTON	2	-	-	-
2	34	03341400	CYLINDER	-	2	2	2
2	34	00649800	CYLINDER WITH PISTON	-	2	-	-
2	34	00566800	CYLINDER WITH PISTON	-	-	2	2
2	35	03214900	STUD F.CYLINDER	2	-	-	-
2	35	03340900	STUD F.CYLINDER	-	2	2	2
2	36	03214700	STUD F.CYLINDER	8	-	-	-
2	36	03341000	STUD F.CYLINDER	-	8	8	8
2	38	03215000	COLLAR NUT M 9	10	10	10	10
2	39	03214800	DISC.	10	10	10	10
			OIL PUMP				
2	40	00410900	OIL PUMP.	1	1	1	1
2	43	03122700	GEARWHEEL	1	1	1	1
2	44	40028600	HEXAGON NUT M 10.	1	1	1	1
2	45	50002800	SPRING WASHER 8	6	6	6	6
2	46	50027500	HEXAGON SCREW M 8X35.	6	6	6	6
			CAMSHAFT				
3	1	00422700	CAMSHAFT UP TO N=1800 *	1	-	-	-
3	1	00363900	CAMSHAFT ABOVE N=1800 *	1	-	-	-
3	1	00533900	CAMSHAFT UP TO N=2000 *	-	1	1	1
3	1	00533800	CAMSHAFT ABOVE N=2000 *	-	1	1	1
3	1	03121900	CAMSHAFT	1	-	-	-
3	1	03345800	CAMSHAFT	-	1	1	1
3	2	50059400	FITTING KEY A, 6X6X75.	1	1	1	1
3	3	40059400	CENTRIFUGAL GOVERNOR UP TO N=1800	1	-	-	-
3	3	40008100	CENTRIFUGAL GOVERNOR ABOVE N=1800	1	-	-	-
3	3	40080500	CENTRIFUGAL GOVERNOR UP TO N=2000	-	1	1	1
3	3	40073900	CENTRIFUGAL GOVERNOR ABOVE N=2000	-	1	1	1

*WITH ITEM 1-4,6

Table No.	Item No.	Quote when ordered		Quant.			
		Part-/ Ordering No.	DESIGNATION	Z 792	Z 788	Z 799	Z 790
3	4	03124200	GEARWHEEL	1	1	1	1
3	5	50014800	GROOVED BALL BEARING 6305	1	1	1	1
3	6	50013200	GROOVED BALL BEARING 6012	1	1	1	1
			PUSHROD AND PROTECTION TUBE				
3	7	00364400	PUSHROD	4	4	4	4
3	8	03122601	GUIDING PLATE	1	1	1	1
3	9	03216401	GASKET	1	1	1	1
3	10	50000900	JOINT A 8X11,5.	7	7	7	7
3	11	50051800	ALLEN SCREW M 8X18.	7	7	7	7
3	12	03216300	PROTECTION TUBE	4	4	4	4
3	13	03185100	PRESSURE SPRING	4	4	4	4
3	14	03185200	PRESSURE RING	4	4	4	4
3	15	40022800	WASHER 15X21,4X3,2.	8	8	8	8
3	16	03216600	GUIDING PIECE	1	1	1	1
3	17	50025700	HEXAGON SCREW M 6X15.	2	2	2	2
3	18	03216500	GASKET.	1	1	1	1
3	19	50018700	SECURITY PLATE 6,4	2	2	2	2
			INJECTION PUMPS A. INJECTION VALVE				
3	20	03053801	GUIDING PLATE	1	1	1	1
3	21	40005701	INJECTION PUMP.	1	1	1	-
3	21	40072100	INJECTION PUMP.	-	-	-	1
3	22	03190601	SHIM 0,2 *.	1	1	1	1
3	22	03190800	SHIM 0,3 *.	1	1	1	1
3	22	03190900	SHIM 0,5 *.	1	1	1	1
3	23	03190700	GASKET.	1	1	1	1
3	24	50038100	STUD M 8X25	2	2	2	2
3	25	50038000	STUD M 8X25	2	2	2	2
3	26	03124000	PIN	1	1	1	1
3	27	50022900	HEXAGON NUT M 8	4	4	4	4
3	28	40006600	INJECTION VALVE	2	-	-	-
3	28	40072500	INJECTION VALVE	-	2	2	2
		40004600	NOZZLE	2	-	-	-
		40072400	NOZZLE	-	2	2	2
3	29	40003100	JOINT WASHER	2	-	-	-
3	29	40055800	JOINT	-	2	2	2
3	30	50037000	STUD M 6X	6	-	-	-

*AS REQUIRED

Quote when ordered

Quanti.

Table No.	Item No.	Part/ Ordering No.	DESIGNATION	Quanti.			
				Z 752	Z 763	Z 752	Z 760
3	30	50028100	HEXAGON SCREW M 8X50.	1	4	4	4
3	31	03120700	CLAMP	2	-	-	-
3	31	03285000	CLAMP	1	2	2	2
3	32	50022700	HEXAGON NUT M6	6	-	-	-
		50002800	SPRING WASHER 8	1	4	4	4
		03292900	SPACER TUBE	1	2	2	2
		03292800	BANJO BOLT	1	2	2	2
		50000900	JOINT A 8X11,5	-	6	6	6
3	33	03173300	STUD M 8X15	2	2	2	2
3	34	03211700	TAPPET.	4	4	4	4
3	35	00319301	SHAFT	1	1	1	1
3	36	40022600	WASHER 12X16X2	1	1	1	1
3	37	03212600	FRICITION PLATE	1	1	1	1
3	38	03049200	DISC	2	2	2	2
3	39	03212900	DISC 0,2 *	2	2	2	2
3	39	03213000	DISC 0,3 *	2	2	2	2
3	39	03213100	DISC 0,5 *	2	2	2	2
3	39	03213200	DISC 1,0 *	2	2	2	2
3	39	03213300	DISC 1,5 *	2	2	2	2
3	40	03212201	SPRING	1	1	1	1
3	41	00363300	CONNECTING LEVER.	1	1	1	1
3	42	50034600	PIN 4X18	1	1	1	1
3	43	50019400	CIRCLIP 8X0,8	1	1	1	1
3	44	00363400	GOVERNOR LEVER.	1	1	1	1
3	45	40014100	CLAMP SECURING 8 ESN 09	1	1	1	1
3	46	00411200	CONTROL ROD	1	1	1	1
3	47	50000900	JOINT A 8X11,5	1	1	1	1
3	50	03189900	SPRING.	1	1	1	1
3	51	03211600	LEVER	1	1	1	1
3	52	50034500	PIN 4X14.	1	1	1	1
3	53	50023800	HEXAGON NUT AM 10	1	1	1	1
3	54	03245900	THREADED PIN A M8X35.	2	2	2	2
3	55	50022900	HEXAGON NUT M 8	2	2	2	2
3	56	50022900	HEXAGON NUT M 8	2	2	2	2
			EXTRA FUEL DEVICE				
3	57	00341601	EXTRA FUEL DEVICE	1	1	1	1
3	58	03272200	THREADED PIN AM 8X25.	2	2	2	2

*AS REQUIRED

Quote when ordered

Quant.

Table No.	Item No.	Part-/ Ordering No.	DESIGNATION	Quant.			
				Z 782	Z 788	Z 789	Z 790
			FUEL PRESSURE PIPE				
3	59	00364701	FUEL PRESSURE PIPE I.	1	-	-	-
3	59	03342500	FUEL PRESSURE PIPE I.	-	1	1	1
3	60	00364801	FUEL PRESSURE PIPE II	1	-	-	-
3	60	03342600	FUEL PRESSURE PIPE II	-	1	1	1
			<u>CYLINDER HEAD</u>				
4	1	00364301	CYLINDER HEAD WITH VALVE GUIDE. .	2	-	-	-
4	1	00603000	CYLINDER HEAD WITH VALVE GUIDE. .	-	2	2	2
4	2	03215100	VALVE GUIDE	4	4	4	4
4	3	50035800	PIN 12X18	6	6	6	6
4	4	50037900	STUD M 8X25	2	2	2	2
4	5	50039300	STUD M 8X100.	2	2	2	2
4	5A	40010100	GLOW PLUG	2	-	-	-
4	6	00563200	ROCKER BRACKET W. ITEM NO.6,19-25	2	-	-	-
4	6	00563300	ROCKER BRACKET W. ITEM NO.6,19-25	-	2	2	2
4	6	03122200	ROCKER BRACKET	2	-	-	-
4	6	03340400	ROCKER BRACKET	-	2	2	2
4	7	03215400	GASKET	2	2	2	2
4	8	50039100	STUD M 8X70	2	2	2	2
4	9	50016700	DISC 8,4	2	2	2	2
4	10	50022900	HEXAGON NUT M 8	2	2	2	2
4	11	03215200	VALVE INLET	2	-	-	-
4	11	03340600	VALVE INLET	-	2	2	2
4	12	03215300	VALVE EXHAUST	2	-	-	-
4	12	03340500	VALVE EXHAUST	-	2	2	2
4	13	03215700	WASHER	4	4	4	4
4	14	03270100	CAP	4	4	4	4
4	15	03184300	COLLET.	4	-	-	-
4	15	03292600	COLLET.	-	4	4	4
4	16	03043402	CUP	4	4	4	4
4	17	03183600	VALVE SPRING EXHAUST	4	-	-	-
4	17	03325600	VALVE SPRING EXHAUST	-	4	4	4
4	18	03183500	VALVE SPRING INLET	4	4	4	4
4	19	00411300	ROCKER INLET WITH BUSH	2	-	-	-
4	19	00532500	ROCKER INLET WITH BUSH	-	2	2	2
4	20	00411401	ROCKER EXHAUST WITH BUSH	2	-	-	-
4	20	00532601	ROCKER EXHAUST WITH BUSH	-	2	2	2

Quote when ordered

Quant.

Table No.	Item No.	Part-/ Ordering No.	DESIGNATION	Quant.			
				Z 782	Z 783	Z 788	Z 790
4	21	03184100	BUSH	4	4	4	4
4	22	50020200	CIRCLIP 19X1,2	4	4	4	4
4	23	03233200	SHIM 0,2 *	4	4	4	4
4	23	03233300	SHIM 0,3 *	4	4	4	4
4	24	03043100	ADJUSTING SCREW	4	4	4	4
4	25	03149000	HEXAGON NUT M 10X1.	4	4	4	4
4	26	03215500	GASKET FOR CYLINDER HEAD 0,5 *	2	-	-	-
4	26	03215600	GASKET FOR CYLINDER HEAD 0,6 *	2	-	-	-
4	26	03215800	GASKET FOR CYLINDER HEAD 0,7 *	2	-	-	-
4	26	03215900	GASKET FOR CYLINDER HEAD 0,8 *	2	-	-	-
4	26	03216000	GASKET FOR CYLINDER HEAD 0,9 *	2	-	-	-
4	26	03216100	GASKET FOR CYLINDER HEAD 1,0 *	2	-	-	-
4	26	03341600	GASKET FOR CYLINDER HEAD 0,5 *	-	2	2	2
4	26	03341700	GASKET FOR CYLINDER HEAD 0,6 *	-	2	2	2
4	26	03341800	GASKET FOR CYLINDER HEAD 0,7 *	-	2	2	2
4	26	03341900	GASKET FOR CYLINDER HEAD 0,8 *	-	2	2	2
4	26	03342000	GASKET FOR CYLINDER HEAD 0,9 *	-	2	2	2
4	26	03342100	GASKET FOR CYLINDER HEAD 1,0 *	-	2	2	2
4	26	03342200	GASKET FOR CYLINDER HEAD 1,1 *	-	2	2	2
			COVER				
4	27	03122502	COVER	1	-	-	-
4	27	00630200	COVER	-	1	1	1
4	28	03216200	GASKET.	2	2	2	2
4	29	50053200	ALLEN SCREW M 8X80.	6	6	6	6
4	31	00575900	CAP	1	1	1	1
4	32	40026300	HOSE CLIP	1	1	1	1
			OILBATH-AIRFILTER				
4	30	40068800	OILBATH-AIRFILTER	1	1	1	1
4	30	40071200	RAIN PROTECTION CAP	1	1	1	1
4	30	00417100	CYCLON F.OILBATH-AIRFILTER.	1	1	1	1
		40053500	HOSE CLIP	1	1	1	1
4	31	03217300	RUBBER HOSE **	1	1	1	1
4	31	03275100	RUBBER ELBOW ***.	1	1	1	1
4	32	40026300	HOSE CLIP **	2	2	2	2
4	32	40095500	HOSE CLIP ***	2	2	2	2
4	33	03125600	CLAMP **	1	1	1	1
4	33	00417900	CLAMP ***	1	1	1	1
4	34	50026800	HEXAGON SCREW M 8X20 **, ***.	4	4	4	4
4	35	50002800	SPRING WASHER 8 **, ***	4	4	4	4
4	36	40037200	STRAP SP **, ***	2	2	2	2
4	37	03217600	RUBBER RING **, ***	2	2	2	2

Quote when ordered

Quant.

Table No.	Item No.	Part/ Ordering No.	DESIGNATION	Quant.			
				N 802	N 803	N 804	N 805
<u>EXHAUST MANIFOLD</u>							
4	40	00416400	EXHAUST MANIFOLD W. ITEM NO. 43-49	1	1	1	1
4	41	00416500	EXHAUST MANIFOLD W. ITEM NO. 43-49	1	1	1	1
4	41	00568700	EXHAUST MANIFOLD W. IT. NO. 43, 45-50	1	1	1	1
4	42	00416600	EXHAUST MANIFOLD W. ITEM NO. 43-49	1	1	1	1
4	42	00604500	EXHAUST MANIFOLD W. IT. NO. 43, 45-50	1	1	1	1
4	43	50023000	HEXAGON NUT M 8 MS *	6	6	6	6
4	44	03217100	GASKET	2	2	2	2
4	45	50044700	CLOSING SCREW R 1-4	2	2	2	2
4	46	03228800	JOINT WASHER 1,0	2	2	2	2
4	47	50037300	STUD M 8X18 **	2	2	2	2
4	48	50002200	GASKET 36 CLAS 2,5 ***	1	1	1	1
4	49	03324200	TWIN-SCREW-FLANGE 38X58X6	1	1	1	1
4	50	03263300	COVER ****.	1	1	1	1
<u>GOVERNOR HOUSING</u>							
5	1	00364601	GOVERNOR HOUSING WITH ITEM NO.2	1	1	1	1
5	2	40072600	OIL SEAL 70X85X8/9 LD	1	1	1	1
5	3	50052900	ALLEN SCREW M 8X60	4	4	4	4
5	4	50055100	ALLEN SCREW M 10X55	6	6	6	6
5	5	50055400	ALLEN SCREW M 10X65	2	2	2	2
5	6	50055600	ALLEN SCREW M 10X80	4	4	4	4
5	7	00411501	GOVERNOR HOUSING WITH ITEM NO.2	1	1	1	1
5	2	40072600	OIL SEAL 70X85X8/9 LD	1	1	1	1
5	3	50052900	ALLEN SCREW M 8X60	2	2	2	2
5	4	50055100	ALLEN SCREW M. 10X55	5	5	5	5
5	5	50055400	ALLEN SCREW M 10X80	2	2	2	2
5	6	50055600	ALLEN SCREW M 10X80	1	1	1	1
5	9	50054000	ALLEN SCREW M 10X25	1	1	1	1
5	10	03394500	ENGINE BRACKET.	1	1	1	1
5	11	50031000	HEXAGON SCREW M 12X25	4	4	4	4
5	12	50003000	SPRING WASHER 12.	4	4	4	4
5	13	03216800	GASKET	1	1	1	1
5	14	03233600	COVER	1	1	1	1
5	15	03270200	GASKET.	1	1	1	1
5	16	50051600	ALLEN SCREW M 8X15.	6	6	6	6

*MANIFOLD OPEN SIDE AND REAR 8 PCS.
 **MANIFOLD OPEN SIDE AND REAR 4 PCS.
 ***MANIFOLD OPEN SIDE AND REAR 2 PCS.
 ****MANIFOLD OPEN SIDE ONLY

Table No.	Item No.	Quote when ordered		Quant.			
		Part/ Ordering No.	DESIGNATION	Z 754	Z 755	Z 759	Z 760
5	18	03233700	COVER	1	1	1	1
5	19	03270400	GASKET.	1	1	1	1
5	20	50051600	ALLEN SCREW M 8X15	4	4	4	4
5	21	50061500	CLOSING SCREW M 20X1,5	1	1	1	1
5	22	50051900	ALLEN SCREW M 8X20	2	2	2	2
5	24	03121500	ENGINE BRACKET.	1	1	1	1
5	25	50029200	HEXAGON SCREW M 10X25	6	6	6	6
5	26	50002900	SPRING WASHER 10	6	6	6	6
FLYWHEEL							
5	27	03104803	FLYWHEEL	1	-	-	-
5	27	03434200	FLYWHEEL	-	1	1	1
5	31	03216900	DISC	1	1	1	1
5	32	50057000	ALLEN SCREW GBK M 12X75	6	6	6	6
GEARRING							
5	33	03217201	GEARRING	1	1	1	1
ELECTRICAL STARTER							
5	35	40000800	ELECTRICAL STARTER 12 V 1,8 PS	1	1	1	1
5	35	40041700	ELECTRICAL STARTER 24 V 1,8 PS	1	1	1	1
DYNAMO							
5	36	40018400	DYNAMO	1	1	1	1
5	37	50025700	HEXAGON SCREW M 6X15	3	3	3	3
5	38	50018700	SECURITY PLATE 6,4	3	3	3	3
5	39	50051000	ALLEN SCREW M 6X30	5	5	5	5
5	40	40024400	REGULATOR	1	1	1	1
5	41	50050700	ALLEN SCREW M 6X15	2	2	2	2
5	42	50016600	DISC 6,4	2	2	2	2
5	43	40010500	GLOW CONTROLLER	1	-	-	-
5	44	40009500	GLOW STARTING SWITCH.	1	1	1	1
5	44	40015400	PLASTIC BUTTON	1	1	1	1
5	45	40025300	SWITCH BOX.	1	1	1	1
		40001500	MERIT INDEX LAMP	1	1	1	1
		40009700	BULB 12V,2W	1	1	1	1
		40068400	IMPULSE TRANSMITTER	1	1	1	1
		40043100	RUBBER SLEEVE 1371	1	1	1	1
6	1	03122902	BLOWER DUCTING.	1	1	1	1

Quote when ordered

Table No.	Item No.	Part/ Ordering No.	DESIGNATION	Quant			
				Z 782	Z 788	Z 789	Z 790
6	2	50051400	ALLEN SCREW M 0X12.	2	2	2	2
6	3	50002800	SPRING WASHER 8	2	2	2	2
6	4	00609800	COOLING PANEL GOVERNOR SIDE . . .	1	1	1	1
6	5	50062700	ALLEN SCREW M 6X10	4	4	4	4
6	6	50016600	DISC 6,4	4	4	4	4
6	7	00609700	COOLING PANEL GOVERNOR SIDE . . .	1	1	1	1
6	8	03125401	AIR DUCT	1	1	1	1
6	9	00368900	AIR DUCT	1	1	1	1
6	10	50063300	BUTTON HEAD SCREW M 6X120	1	1	1	1
6	6	50016600	DISC 6,4	1	1	1	1
		40028300	HEXAGON NUT M 6	1	1	1	1
6	11	40028200	HEXAGON NUT M 5	2	2	2	2
6	12	50049600	ALLEN SCREW AM 5X60	2	2	2	2
			<u>FUEL TANK</u>				
6	16	00529200	FUEL TANK 14 LTRS.W.FILTER	1	1	1	1
6	16	00349600	FUEL TANK 14 LTRS.W.ITEM NO.17. .	1	1	1	1
6	16	00510400	FUEL TANK 21 LTRS.W.FILTER	1	1	1	1
6	16	00349900	FUEL TANK 21 LTRS.W.ITEM NO.17. .	1	1	1	1
6	17	40032700	CAP SCREW B 40	1	1	1	1
6		00349700	FUEL FILTER W.ITEM NO.18-22	1	1	1	1
6	18	00420400	COVER	1	1	1	1
6	19	40007300	FILTER ELEMENT EK 402	1	1	1	1
6	21	50062900	DISC B 8,4	1	1	1	1
6	22	40028500	HEXAGON NUT M 8	1	1	1	1
6	23	03188401	GASKET	1	1	1	1
6	24	50062700	ALLEN SCREW M 6X10.	5	5	5	5
6	25	00318900	CONSOLE	1	1	1	1
6	26	03217500	CONSOLE	1	1	1	1
6	27	50053800	ALLEN SCREW M 10X25	4	4	4	4
6	28	50002900	SPRING WASHER 10	4	4	4	4
6	29	03123300	SPACER BUSH	2	2	2	2
6	30	50055800	ALLEN SCREW M 10X85	2	2	2	2
6	31	50053700	ALLEN SCREW M 10X20	2	2	2	2
6	32	50002900	SPRING WASHER 10.	4	4	4	4
6	33	50016900	DISC 10,5	4	4	4	4
6	34	03188600	FIXING STRAP SUPPORT.	2	2	2	2
6	35	40040300	STRAP 240/25	4	4	4	4
6	35	40030300	STRAP 274/25 *	4	4	4	4
6	36	40011400	RUBBERBAND 9X55X70	2	2	2	2

Table No.	Item No.	Part/ Ordering No.	DESIGNATION	Quant.			
				Z782	Z788	Z789	Z780
			<u>FUEL PIPE</u>				
6	37	03280400	FUEL PIPE *	1	1	-	-
6	38	03188200	FUEL PIPE **	1	1	-	-
6	37	03275500	FUEL PIPE *	-	-	1	1
6	38	03275600	FUEL PIPE **	1	1	1	1
6	39	50006400	BANJC BOLT A 8	1	1	1	1
6	40	50001200	JOINT A 14X18	2	2	2	2
6	41	03270800	FUEL LEAK-OFF PIPE *	1	-	-	-
6	41	03270900	FUEL LEAK-OFF PIPE **	1	-	-	-
6	41	03342800	FUEL LEAK-OFF PIPE *	-	1	1	1
6	41	03342700	FUEL LEAK-OFF PIPE **	-	1	1	1
6	42	50006100	BANJC BOLT A 2/3	1	1	1	1
6	43	50000900	JOINT A8X11,5	2	2	2	2
6	44	40037300	CLAMP 10-12	2	2	-	-
			<u>FEED PUMP WITH LINES</u>				
6A	1	40037400	FEED PUMP	-	1	1	1
6A	2	03212400	GASKET	-	1	1	1
6A	3	50050700	ALLEN SCREW M 6X15	-	2	2	2
6A	4	50081200	SPRING WASHER A 6	-	2	2	2
6A	5	03188200	FUEL PIPE FROM FEED PLMP TO INJECTION PUMP	-	1	1	1
6A	6	50006400	BANJC BOLT A 8	-	2	2	2
6A	7	50001200	JOINT A 14X18	-	4	4	4
			<u>FEED PUMP WITH LINES</u>				
			FUEL FILTER GOVERNOR SIDE				
6A	1	40037400	FEED PUMP	1	1	1	1
6A	2	03212400	GASKET	1	1	1	1
6A	3	50050700	ALLEN SCREW M 6X15	1	2	2	2
6A	4	50081200	SPRING WASHER A 6	1	2	2	2
6A	6	50006400	BANJC BOLT A 8	1	3	3	3
6A	7	50001200	JOINT A14X18	1	10	10	10
6A	8	03275500	FUEL PIPE ***	1	1	1	1
6A	9	03275400	CONSOLE	1	1	1	1

*FUEL TANK FLYWHEEL SIDE
**FUEL TANK GOVERNOR SIDE
***FOR FUEL FILTER FLYWHEEL SIDE C3275500

Quote when ordered

Quant.

Table No.	Item No.	Part/ Ordering No.	DESIGNATION	Quant.			
				Z782	Z788	Z789	Z790
6A	10	50026800	HEXAGON SCREW M. 8X20	1	2	2	2
6A	11	40067400	FUEL FILTER	1	1	1	1
6A	12	50029200	HEXAGON SCREW M 10X25	1	2	2	2
6A	13	50023500	HEXAGON NUT M 10	1	2	2	2
6A	14	03263401	FUEL RELIEF VALVE	1	1	1	1
6A	15	03280400	FUEL PIPE **	1	1	1	1
6A	16	50015900	RING PIECE NW 8	1	2	2	2
6A	17	03280700	BANJO BOLT	1	1	1	1
6A	18	03409700	FUEL LEAK-OFF PIPE ***.	-	1	1	1
6A	18A	03270800	FUEL LEAK-OFF PIPE ****.	1	-	-	-
6A	19	50000900	JOINT A 8X11,5	2	2	2	2
6A	20	50006100	BANJO BOLT A 2/3	1	1	1	1
6A	21	40013700	CABLE RIBBON	1	1	1	1
6A	22	40037300	CLAMP 10-12	2	-	-	-
<u>DECCMPRESSION-AUTOMATIC</u>							
6A	31	00429800	DECOMPRESSION-AUTOMATIC COMPL.	1	-	-	-
6A	31	00627400	DECOMPRESSION-AUTOMATIC COMPL.	-	1	1	1
6A	32	00526600	COVER DECOMPR.AUTOMATIC	1	-	-	-
6A	32	00610700	COVER DECOMPR.AUTOMATIC	-	1	1	1
WITH ITEM NO.36,40-59							
6A	33	03117902	ADJUSTING SCREW	2	2	2	2
6A	34	50022700	HEXAGON NUT M 6	2	2	2	2
6A	35	50064800	ALLEN SCREW M 8X120	2	2	2	2
6A	36	00526800	SHAFT WITH ITEM NO.37-39	2	2	2	2
6A	37	03173401	HANDLE	2	2	2	2
6A	38	40022700	WASHER 13,3X18,1X2,4	2	2	2	2
6A	39	50034700	PIN 4X22	2	2	2	2
6A	40	00526700	BEARING PLATE	2	2	2	2
6A	41	03045000	CAP	2	2	2	2
6A	42	03046300	BEARING ARM	2	2	2	2
6A	43	03188700	PRESSURE SPRING	2	2	2	2
6A	44	03334300	LIFTING PIN	2	2	2	2
6A	45	50002700	SPRING WASHER 6	4	4	4	4
6A	46	50025400	HEXAGON SCREW M 6X10	4	4	4	4
6A	47	03051400	GEARWHEEL	2	2	2	2
6A	48	03172801	PRESSURE SPRING	2	2	2	2
6A	49	03299300	COVER	2	2	2	2

**FOR FUEL FILTER FLYWHEEL SIDE C3262601
 ***FOR FUEL FILTER FLYWHEEL SIDE C3409600
 ****FOR FUEL FILTER FLYWHEEL SIDE C3275700

Quote when ordered

Quant.

Table No.	Item No.	Part/ Ordering No.	DESIGNATION	Quant.			
				Z 782	Z 788	Z 789	Z 790
6A	50	03299400	PIN	2	2	2	2
6A	51	03334400	GASKET	4	4	4	4
6A	52	40021900	WASHER 5X7X1	2	2	2	2
6A	53	50002700	SPRING WASHER 6	10	10	10	10
6A	54	50033900	PIN 3X8	4	4	4	4
6A	55	50034100	PIN 3X16.	2	2	2	2
6A	56	50050700	ALLEN SCREW M 6X16	10	10	10	10
6A	57	50064900	HEXAGON SCREW A M6X16	2	2	2	2
6A	58	50065000	THREADED PIN A M 20X10	2	2	2	2
6A	59	50086300	CLOSING SCREW M 20X1,5	-	2	2	2
<u>PROTECTION FOR FLYWHEEL</u>							
7	1	00411100	PROTECTION FOR FLYWHEEL	1	1	1	1
7	1	00619700	PROTECTION FOR FLYWHEEL ***	1	1	1	1
7	1	50029200	HEXAGON SCREW M 10X25	8	8	8	8
7	3	50017100	DISC B 11,5 ****	8	8	8	8
<u>FLEXIBLE COUPLING</u>							
7	4	03115000	INTERMEDIATE FLANGE	1	1	1	1
7	5	50053800	ALLEN SCREW M 10X25	8	8	8	8
7	6	50002900	SPRING WASHER 10.	8	8	8	8
7	7	03040500	POWER TAKE OFF FLANGE	1	1	1	1
7	8	50004900	THREADED PIN M 10X16	1	1	1	1
7	9	03046900	TAPPET	6	6	6	6
7	10	03151000	RUBBER SHELL.	6	6	6	6
7	11	03079000	DISC	6	6	6	6
7	12	50061600	SPRING WASHER	6	6	6	6
<u>MONTING PARTS F.CENTR.BELT CLUTCH</u>							
7	13	03123400	CONE	1	1	1	1
7	14	50046000	PIVOT SCREW M 10X10	2	2	2	2
7	15	03123500	SPACER BUSH	1	1	1	1
7	16	50033200	HEXAGON SCREW M 16X150.	1	1	1	1
7	17	50003700	SPRING WASHER B 16.	1	1	1	1
<u>CENTRIFUGAL BELT PULLEY</u>							
7	18	40008700	CENTRIFUGAL BELT PULLEY	1	1	1	1

***WITHCUT ENGINE BRACKET
 ***WITHCUT ENGINE BRACKET

Quote when ordered

Table No.	Item No.	Part/ Ordering No.	DESIGNATION	Quant.			
				1-20	21-40	41-60	61-80
<u>STARTING DEVICE ON FLYWHEEL-SIDE</u>							
7	19	03269500	CRANK JAW	1	1	1	1
7	20	50052100	ALLEN SCREW M 8X25.	6	6	6	6
7	21	50002800	SPRING WASHER 8	6	6	6	6
7	22	03269201	INTERMEDIATE PIECE.	2	2	2	2
7	23	50030400	HEXAGON SCREW M 10X90	2	2	2	2
7	24	50016900	DISC 10,5	2	2	2	2
7	25	50002900	SPRING WASHER 10	6	6	6	6
7	26	50029600	HEXAGON SCREW M 10X45	4	4	4	4
7	27	00526500	BEARING CASE WITH ITEM NO.28-37	1	1	1	1
7	28	03299900	GEARWHEEL WITH SHAFT.	1	1	1	1
7	29	03300000	PINION SHAFT.	1	1	1	1
7	30	50009500	GRGVED DOWEL PIN 8X45.	1	1	1	1
7	31	03175301	BEARING RING.	3	3	3	3
7	32	50009800	BALL 6 MM III	49	49	49	49
7	33	03012401	INTERMEDIATE RING	1	1	1	1
7	34	50020400	CIRCLIP 24X1,2.	2	2	2	2
7	35	03159100	PRESSURE SPRING	4	4	4	4
7	36	50007800	GREASE NIPPLE AM 8X1.	1	1	1	1
7	37	03079400	THREADED PIN M 8X1.	3	3	3	3
7	37A	00302902	STARTING HANDLE	1	1	1	1
<u>MOUNTING PARTS F.HYDRAULIC PLMP</u>							
INSTALLATION TOP							
7	38	03114201	INTERMEDIATE FLANGE	1	1	1	1
7	39	03270300	GASKET FOR HYDRAULIC PLMP	1	1	1	1
		03270200	GASKET FOR INTERMEDIATE FLANGE.	1	1	1	1
7	40	03114300	GEARWHEEL	1	1	1	1
7	41	50052000	ALLEN SCREW M 8X20	6	6	6	6
7	43	50054700	ALLEN SCREW M 10X45	2	2	2	2
7	44	50002900	SPRING WASHER 10.	2	2	2	2
7	45	50058400	STUD 8 M6X20.	2	2	2	2
<u>MOUNTING PARTS F.HYDRAULIC PLMP</u>							
INSTALLATION BOTTCM							
7	46	03233800	GEAR BOX	1	1	1	1
7	45	50058400	STUD 8 M6X20.	2	2	2	2
7	47	50053100	ALLEN SCREW M 8X75.	2	2	2	2

Quote when ordered

Quant.

Table No.	Item No.	Part/ Ordering No.	DESIGNATION	Quant.			
				Z 782	Z 788	Z 789	Z 790
7	48	50053300	ALLEN SCREW M 8X110	2	2	2	2
7	49	03233900	GEARWHEEL	1	1	1	1
7	50	50059500	CLOSING SCREW M 30X1,5.	1	1	1	1
7	39	03270300	GASKET F. HYDRAULIC PUMP	1	1	1	1
7		03270400	GASKET	1	1	1	1
7	43	50054700	ALLEN SCREW M 10X45	2	2	2	2
7	44	50002900	SPRING WASHER 10.	2	2	2	2
<u>CLUTCH IN CLOSED HOUSING</u>							
8	1	40019400	NEEDLE BEARING	1	1	1	1
8	1	40019300	NEEDLE BEARING *	1	1	1	1
8	3	40004100	PRESS. PLATE K 200 Z	1	1	1	1
8	3	40090500	PRESS. PLATE K 225 Z *	1	1	1	1
8	4	40017700	CLUTCH DISC	1	1	1	1
8	4	40089700	CLUTCH DISC *	1	1	1	1
8	5	40015101	BALL BEARING DISCONN.	1	1	1	1
8	6	40083400	SHAPE SPRING	2	2	2	2
8	7	50026700	HEXAGON SCREW M 8X15	6	6	6	6
8	8	50002800	SPRING WASHER 8	6	6	6	6
8	9	03123000	CONNECTING FLANGE	1	1	1	1
8	9	03358500	CONNECTING FLANGE *	1	1	1	1
8	10	50053600	ALLEN SCREW M 10X20	8	8	8	8
8	11	50002900	SPRING WASHER 10.	8	8	8	8
8	12	00365000	HOUSING WITH ITEM NO. 5-6, 12-29.	1	1	1	1
8	12	00674100	HOUSING WITH ITEM NO. 5-6, 12-29*	1	1	1	1
8	12	03123100	HOUSING	1	1	1	1
8	12	03481800	HOUSING *	1	1	1	1
8	13	03123200	OPERATING SHAFT	1	1	1	1
8	14	50011400	FITTING KEY A 8X7X25.	1	1	1	1
8	15	03079301	FORKED LEVER	1	1	1	1
8	16	50054300	ALLEN SCREW M 10X30	1	1	1	1
8	17	03232000	RETURN SPRING	1	1	1	1
8	18	40032400	SUPPORTING DISC SS.	1	1	1	1
8	19	50020900	CIRCLIP 30X1,5.	1	1	1	1
8	20	50007800	GREASE NIPPLE A M8X1.	2	2	2	2
8	21	03417700	SWITCH LEVER.	1	1	1	1
8	23	50029300	HEXAGON SCREW M 10X30	1	1	1	1
8	24	50002900	SPRING WASHER 10.	1	1	1	1

*TO BE INSTALLED FOR VERY FREQUENT USE OF CLUTCH

Tabl No.	Item No.	Quote when ordered		Quant.			
		Part/ Ordering No.	DESIGNATION	Z 792	Z 793	Z 799	Z 790
8	25	03043200	SPRING BUSH	1	1	1	1
8	26	03043501	PIN	1	1	1	1
8	27	03136500	PRESSURE SPRING	1	1	1	1
8	28	03043800	GUIDING DISC.	1	1	1	1
8	29	50062800	PIN 3X10.	1	1	1	1
8	30	00364900	BEARING FLANGE WITH ITEM NO.30-38	1	1	1	1
8	30	00674200	BEARING FLANGE WITH ITEM NO.30-38	1	1	1	1
8	30	03031701	BEARING FLANGE.	1	1	1	1
8	31	03217400	CLUTCH SHAFT.	1	1	1	1
8	31	03481600	CLUTCH SHAFT *	1	1	1	1
8	32	50015000	GROOVED BALL BEARING 6307	1	1	1	1
8	33	40027600	CIRCLIP J 80X2,5	1	1	1	1
8	34	50021100	CIRCLIP 35X1,5.	1	1	1	1
8	35	03321300	DISC.	1	1	1	1
8	36	50002900	SPRING WASHER 10.	1	1	1	1
8	37	50029300	HEXAGCN SCREW M 10X30	1	1	1	1
8	38	50012000	FITTING KEY A 10X8X50	1	1	1	1
8	39	50053600	ALLEN SCREW M 10X20	4	4	4	4
8	41	50054100	ALLEN SCREW M 10X30	8	8	8	8
8	42	50002900	SPRING WASHER 10	4	4	4	4

*TO BE INSTALLED FOR VERY FREQUENT USE OF CLUTCH

Table 1- 8

Table 1

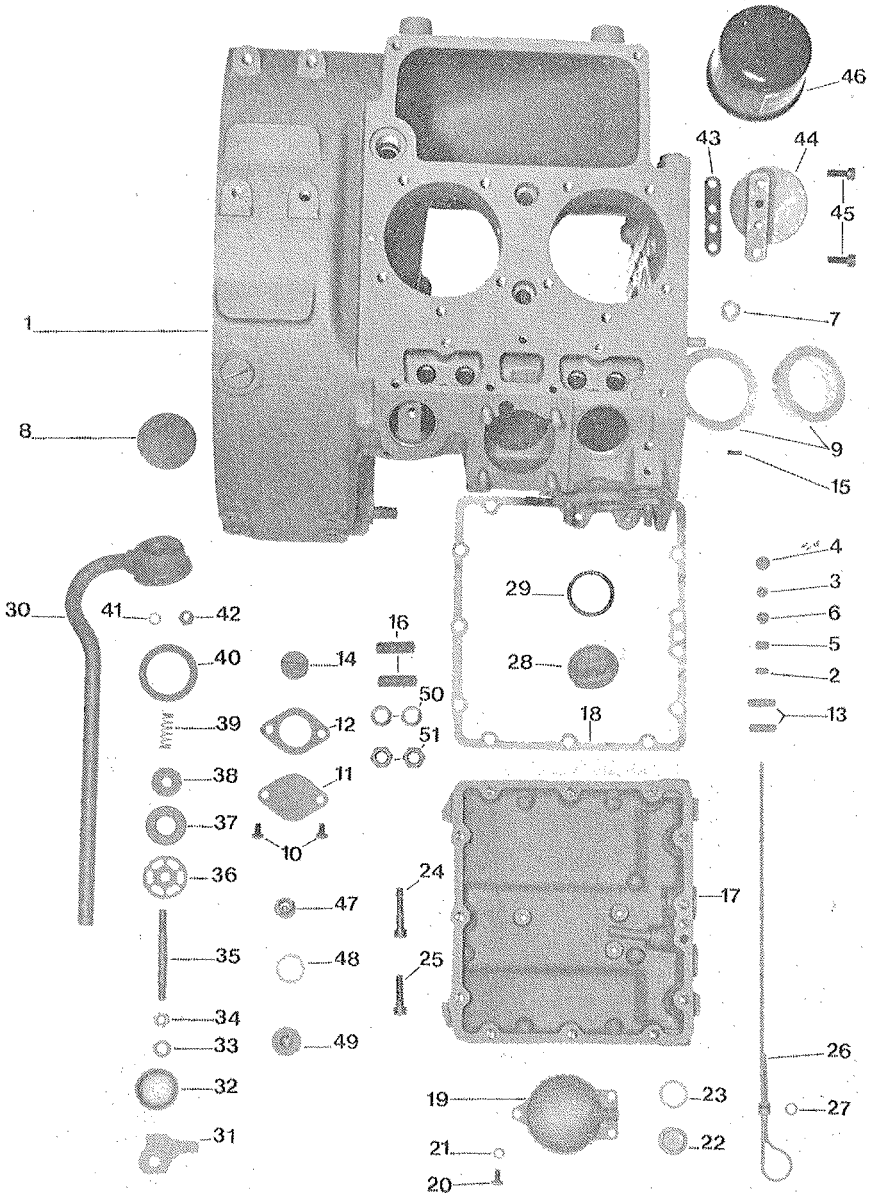


Table 2

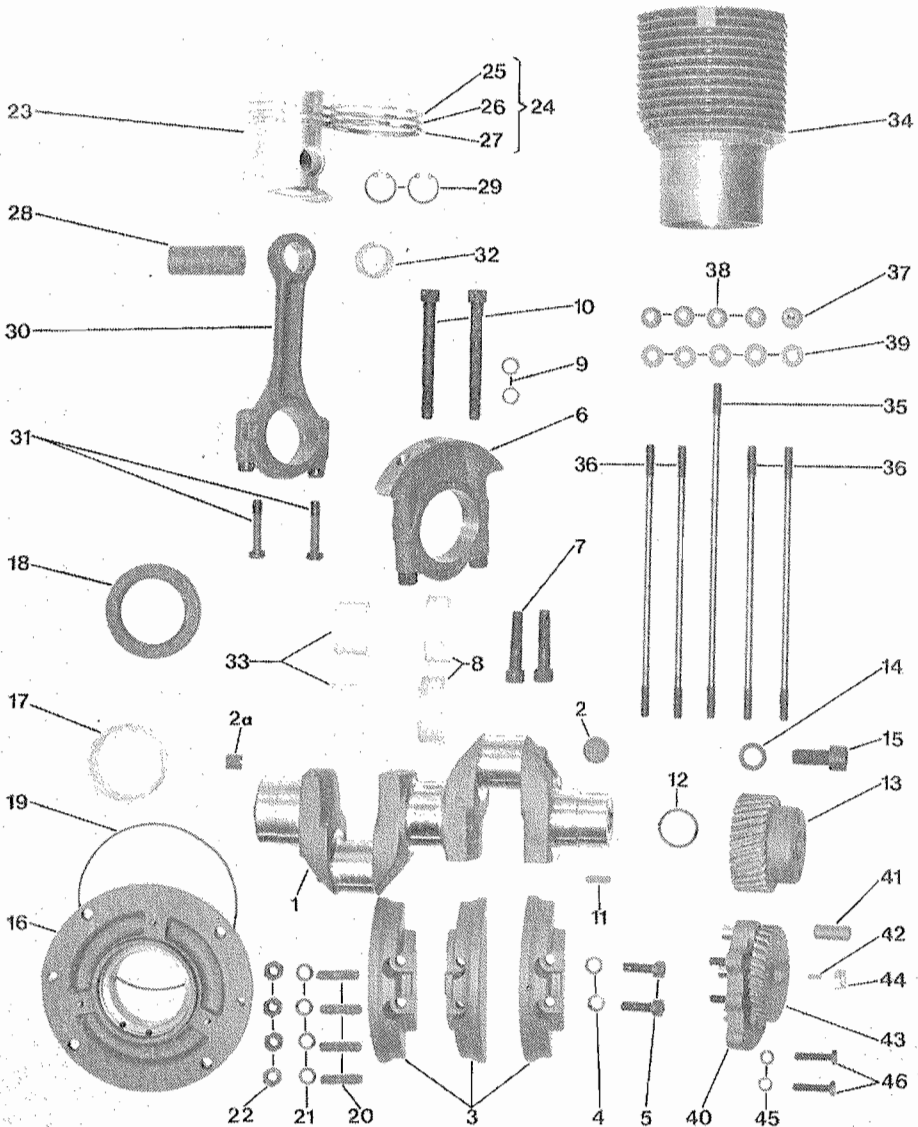


Table 3

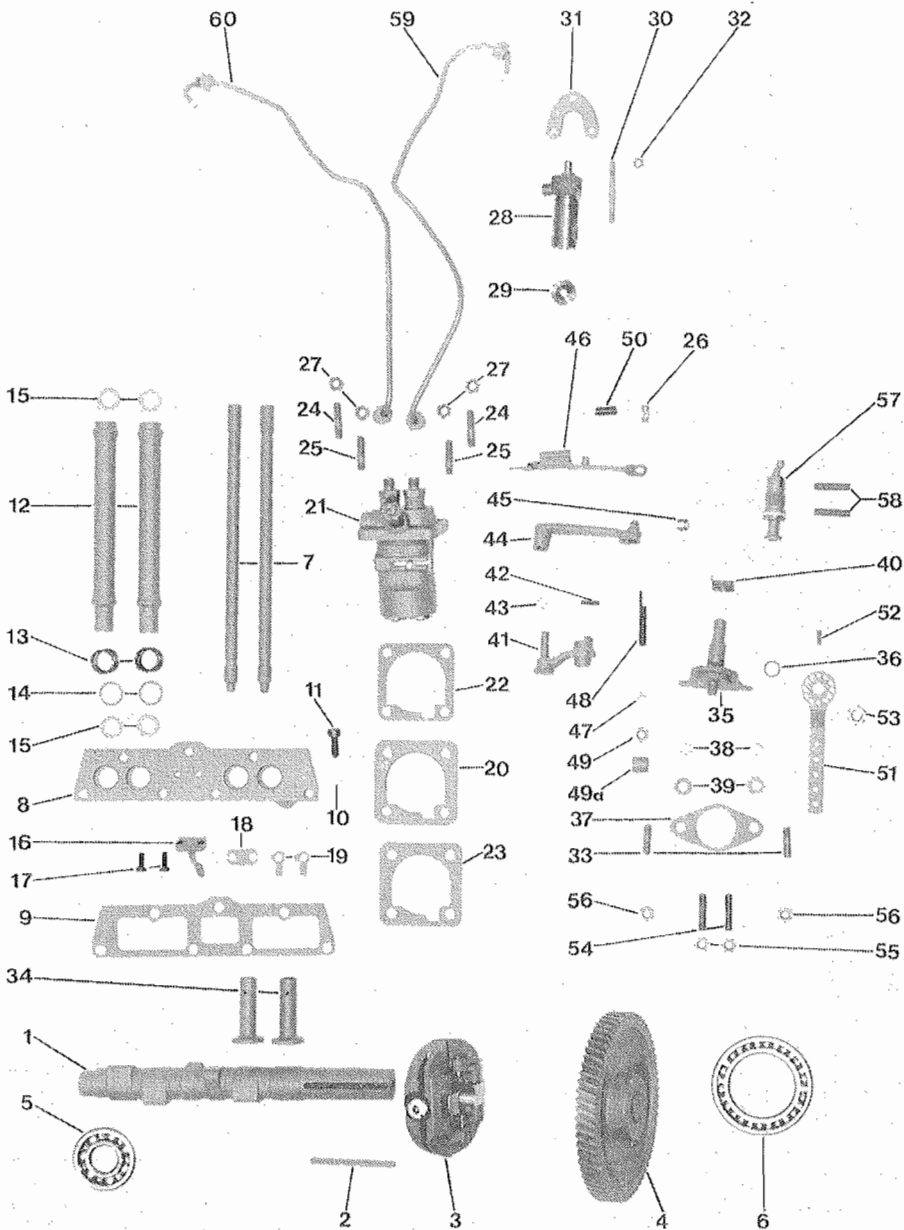


Table 4

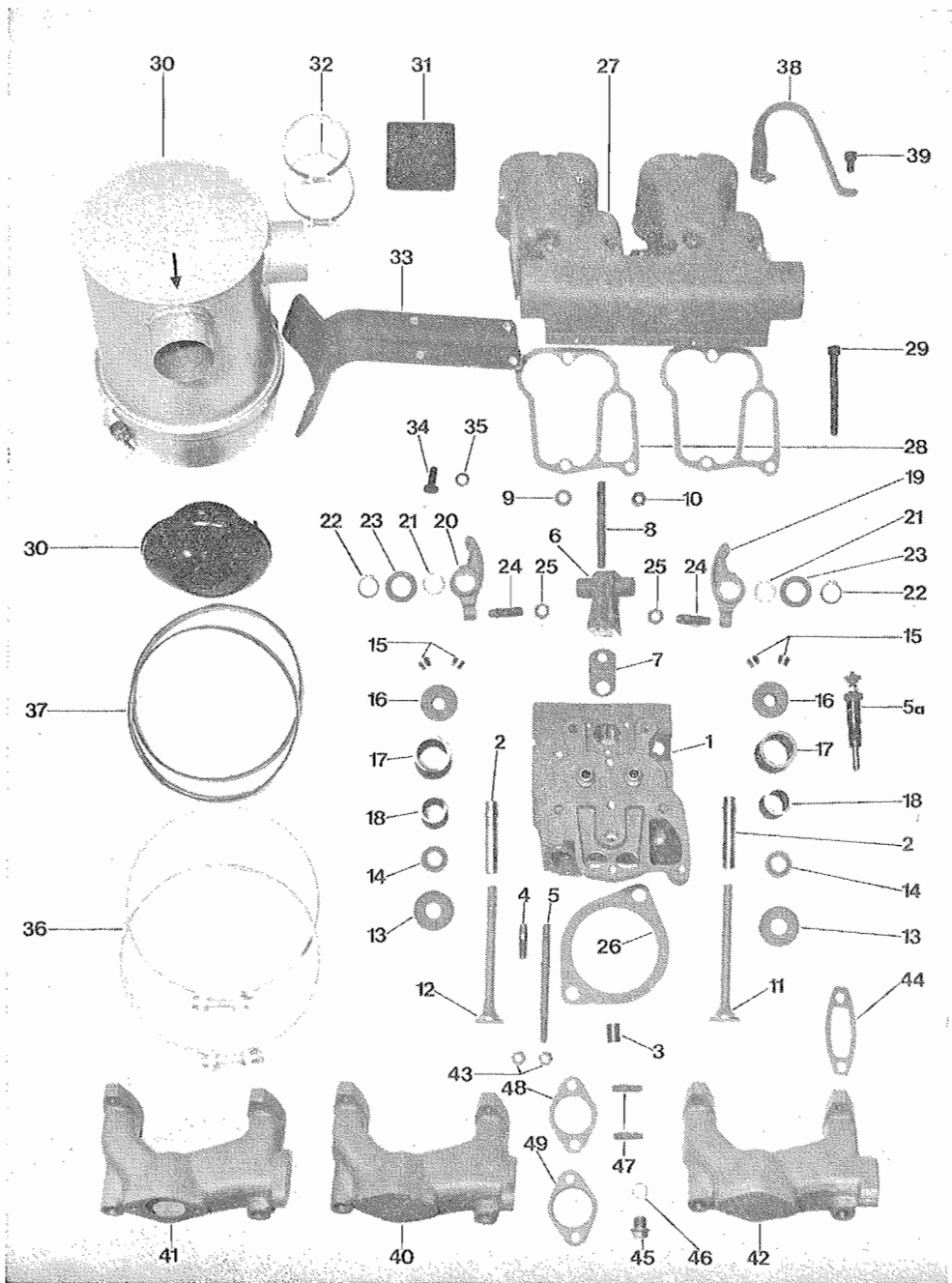


Table 5

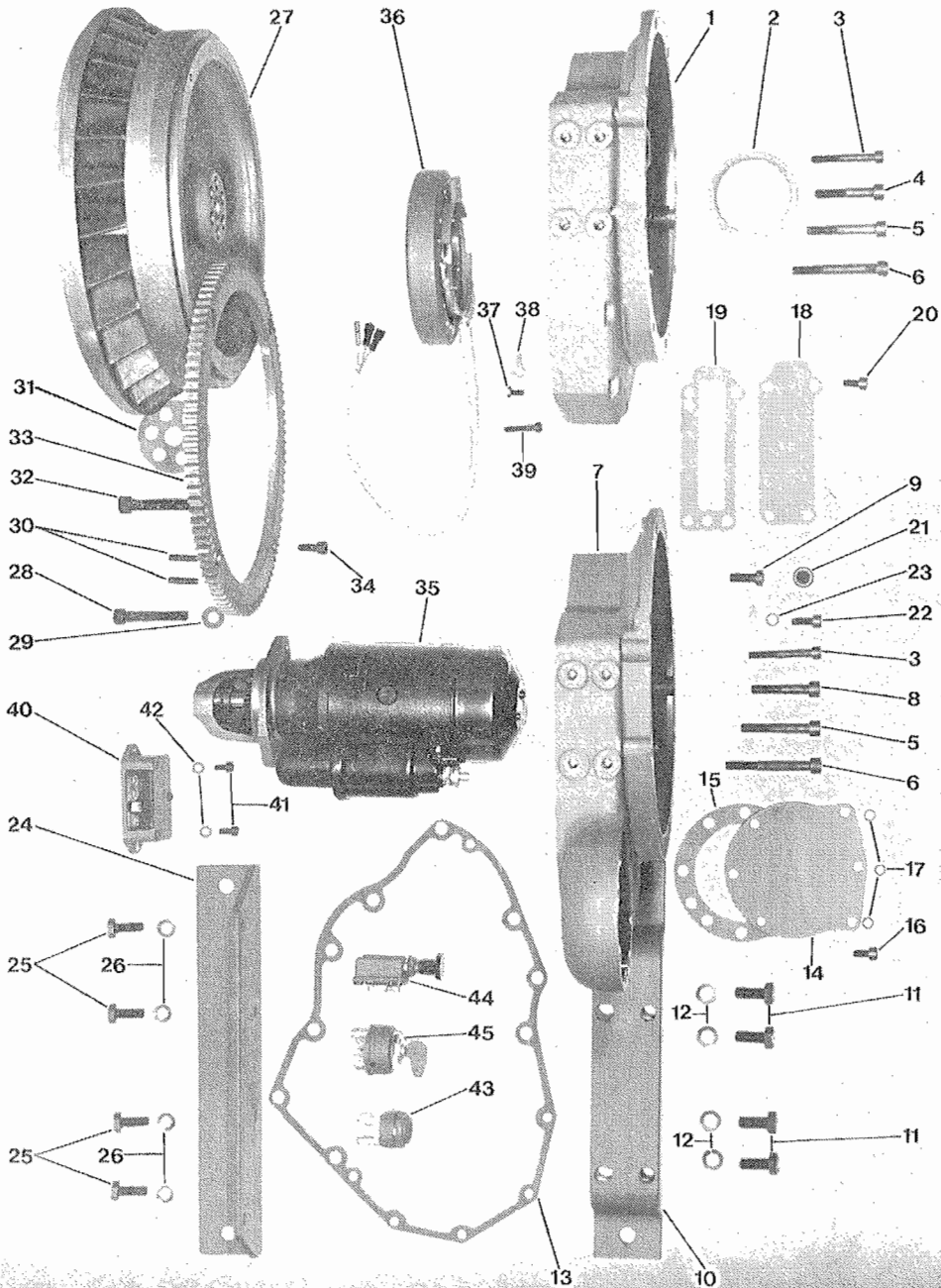


Table 6

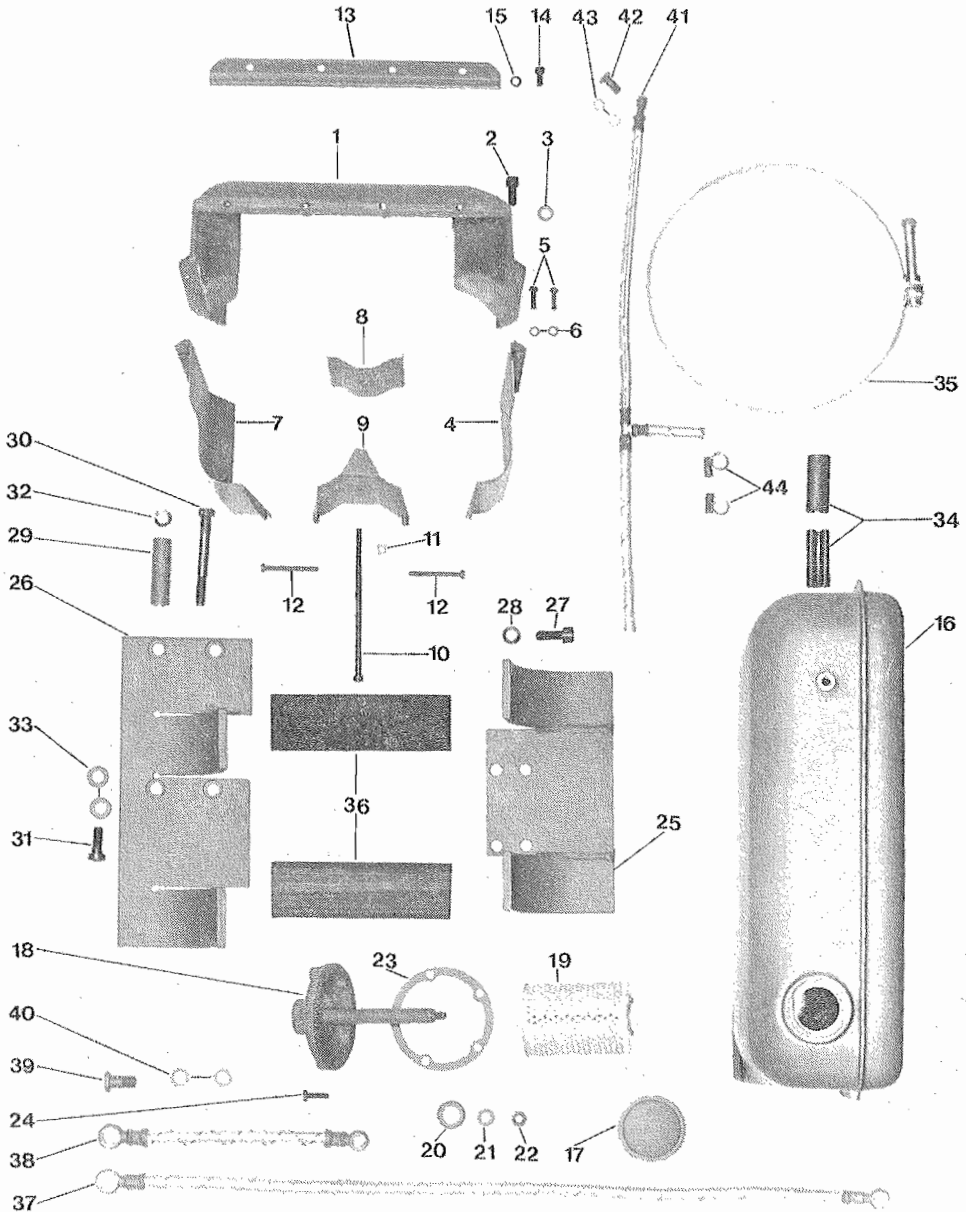


Table 6a

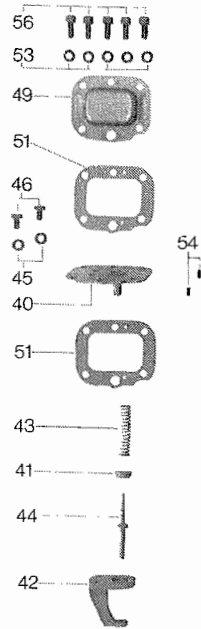
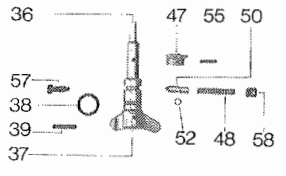
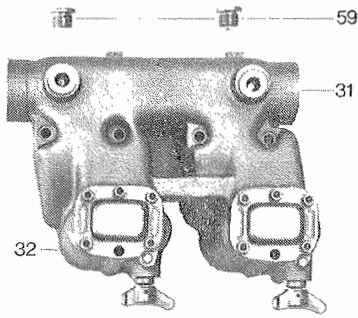
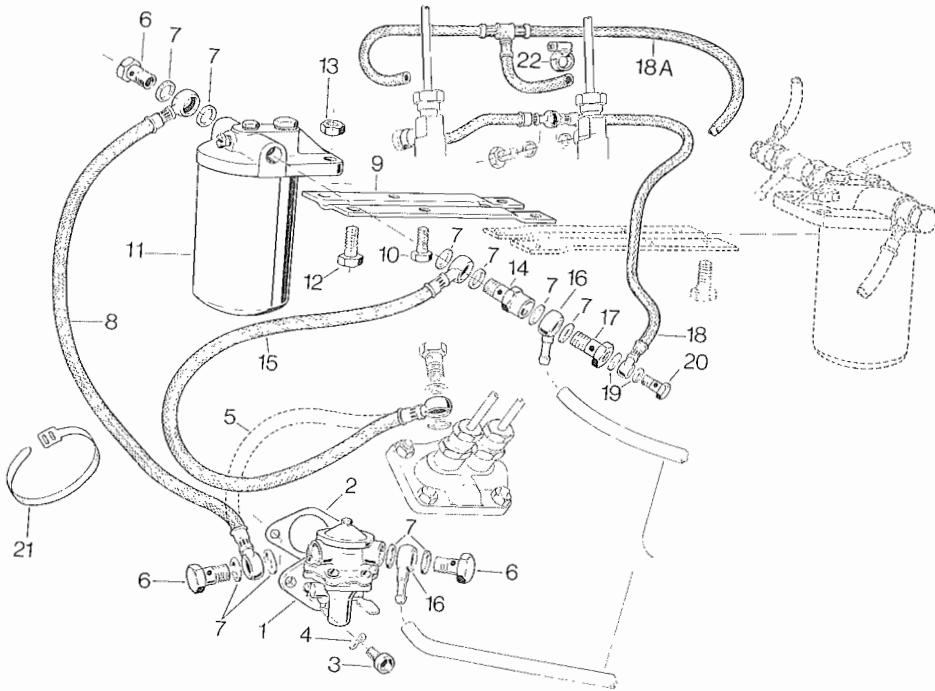


Table 7

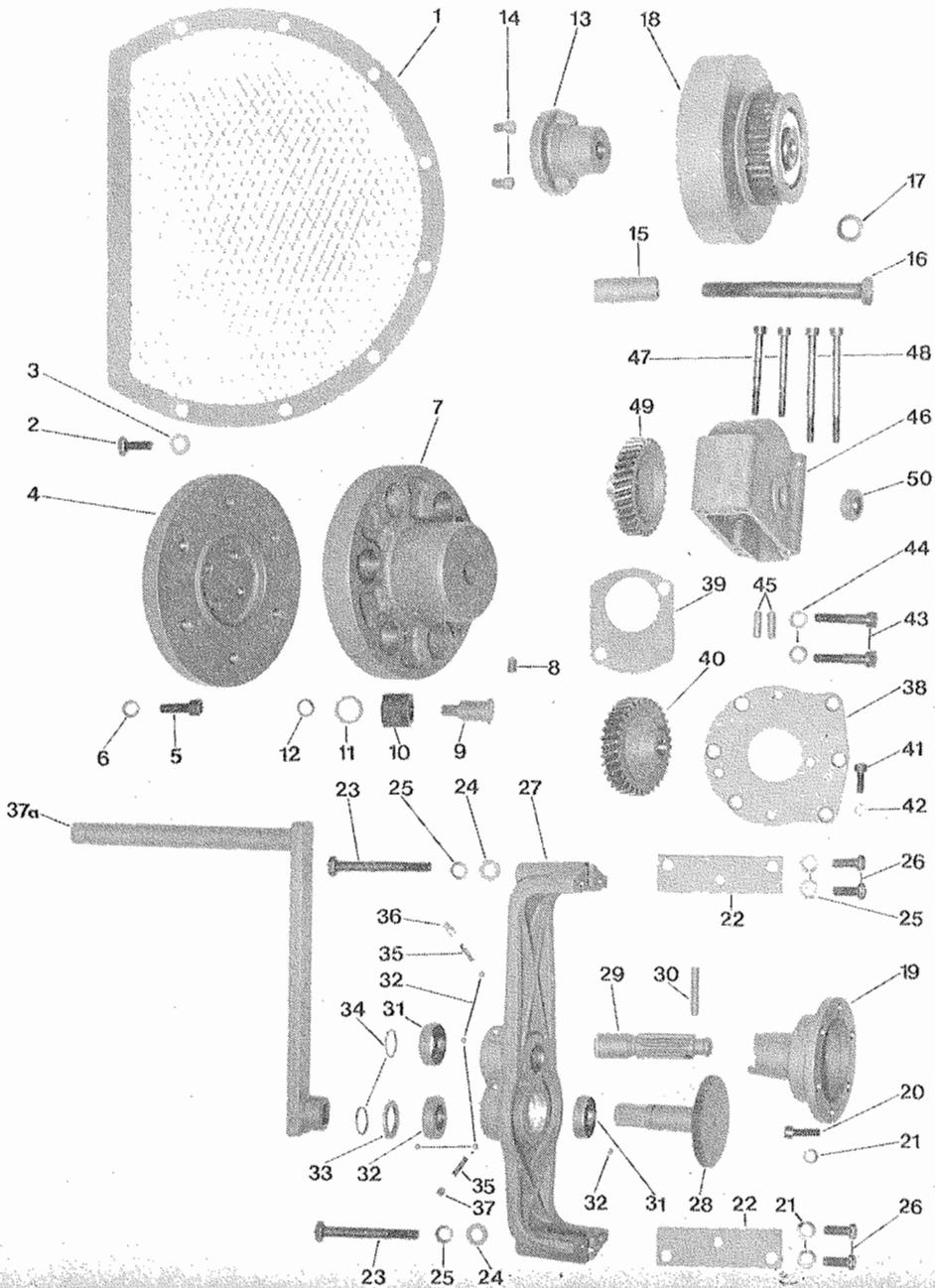


Table 8

